



## Desk Panel DPB Data sheet

# DPB

---

The compact design and mounting friendliness of the DPB makes it an optimum choice of desk panel for height adjustable desks where only up and down functions are required. The raised up and down buttons shaped as arrowheads make the panel very intuitive to use. The panel is compatible with all DESKLINE® control boxes. As an option the DPB can be mounted in a drawer, so when not in use the panel can be hidden under the desk and blend perfectly into the desk design.



---

## Features:

- Control panel for either one single or one parallel system
- Colour: Charcoal grey RAL 7016, buttons RAL 7038
- Plastic housing with mounting holes (LINAK does not supply the screws)
- 1580 mm straight 3-core black cable with telephone plug RJ45
- Soft rubber buttons

## Options:

- Drawer (separate article)

## Usage:

- Ambient temperature +5 °C to +40 °C
- Compatible with CBD4 and CBD6S
- Approved according to EN 60335-1 and UL 962

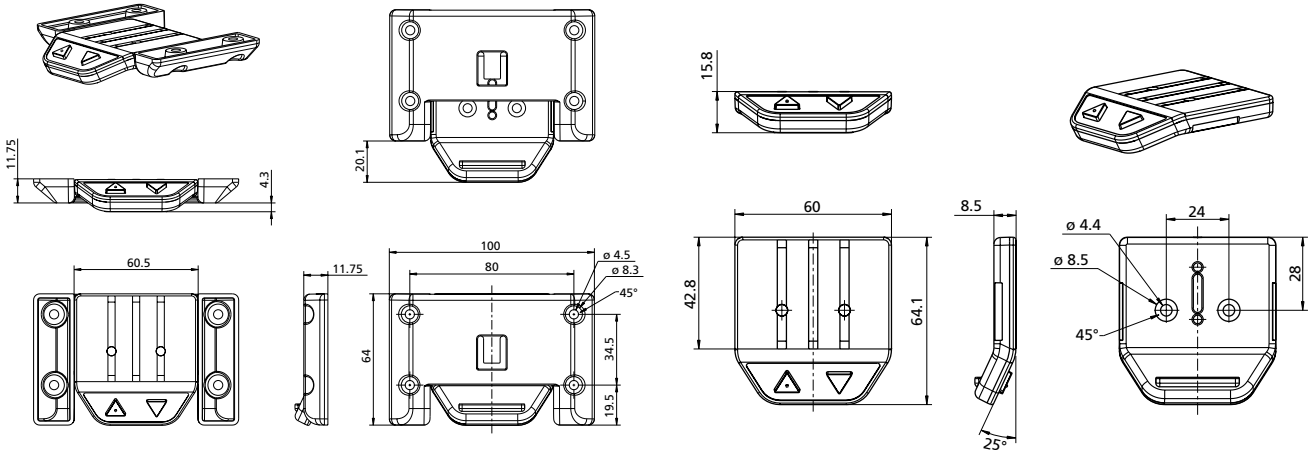
## Operation of the DPB in connection with DESKLINE® systems

The Desk Panel is used to operate the DESKLINE® system. The two arrow buttons are used for single or parallel drive.

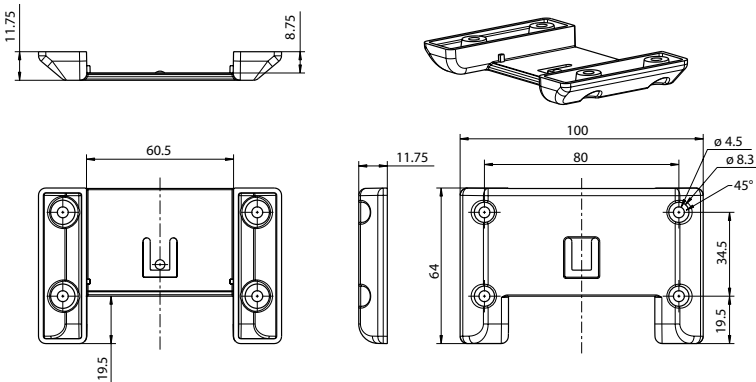
### Drive (△▽)

The arrow buttons start single or parallel drive. The function is only activated when holding the button down.

### Dimensions:



### Drawer:



## DPB

### Ordering example:

|     |   |   |   |                   |  |
|-----|---|---|---|-------------------|--|
| DPB | K | 0 | 6 | Cable:            | 6 = Straight 1580 mm 8 pole Modular jack |
|     |   |   |   | Colour:           | 0 = Dark Grey RAL 7016                   |
|     |   |   |   | Control box type: | CBD4/CBD6S                               |
|     |   |   |   | Type:             | DPB                                      |

The ordering number for the separate drawer is: 0622015 and comes in a bag of 100 pieces.

---

**Terms of use**

The user is responsible for determining the suitability of LINAK products for specific application. LINAK takes great care in providing accurate and up-to-date information on its products.

However, due to continuous development in order to improve its products, LINAK products are subject to frequent modifications and changes without prior notice. Therefore, LINAK cannot guarantee the correct and actual status of said information on its products.

While LINAK uses its best efforts to fulfill orders, LINAK cannot, for the same reasons as mentioned above, guarantee the availability of any particular product. Therefore, LINAK reserves the right to discontinue the sale of any product displayed on its website or listed in its catalogues or other written material drawn up by LINAK.

All sales are subject to the Standard Terms of Sale and Delivery for LINAK. For a copy hereof, please contact LINAK.