



Desk Panel DP1V and Handset HB20
for CBD4/CBD5/CBD6
Data sheet

DP1V and HB20

For furniture applications such as flat screens a wireless control system like the DP1V Desk Panel and the HB20 handset is a perfect choice. The system allows you to adjust you flat screen and e.g. move it in and out of a cabinet. The DP1V is the receiver of the system and can be built in the furniture. The HB20 is the control unit transmitting the signals to the height adjustable system via the DP1V. The wireless communication is based on infrared signals. As an option an IR extension eye can be mounted on the DP1V, making it possible to hide the DP completely in the furniture and only have the extension eye visible for communication.



Features DP1V:

- Control panel for single channel or parallel systems
- Colour black
- Black, 1580 mm straight cable with modular jack plug mounted on the DP1V
- LINBUS communication for use together with CBD4, CBD5 and CBD6

Option:

- IR extension eye article number: 0964571 (makes it possible to communicate even when the DP1V is hidden in the furniture)

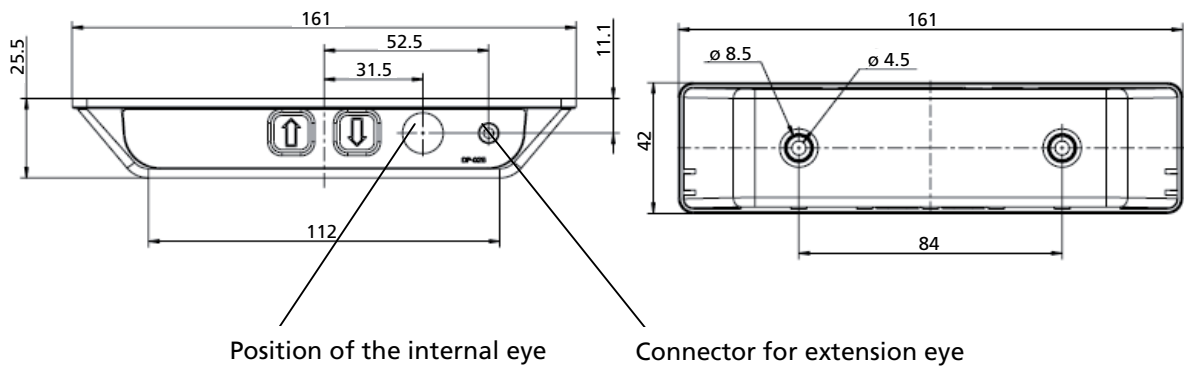
Features HB20:

- Colour grey or black HB20
- Wireless HB20 with 3AAA batteries (exchangeable)
- Handset controlling 1 or 2 references
- Easily operated by both left and right-handers

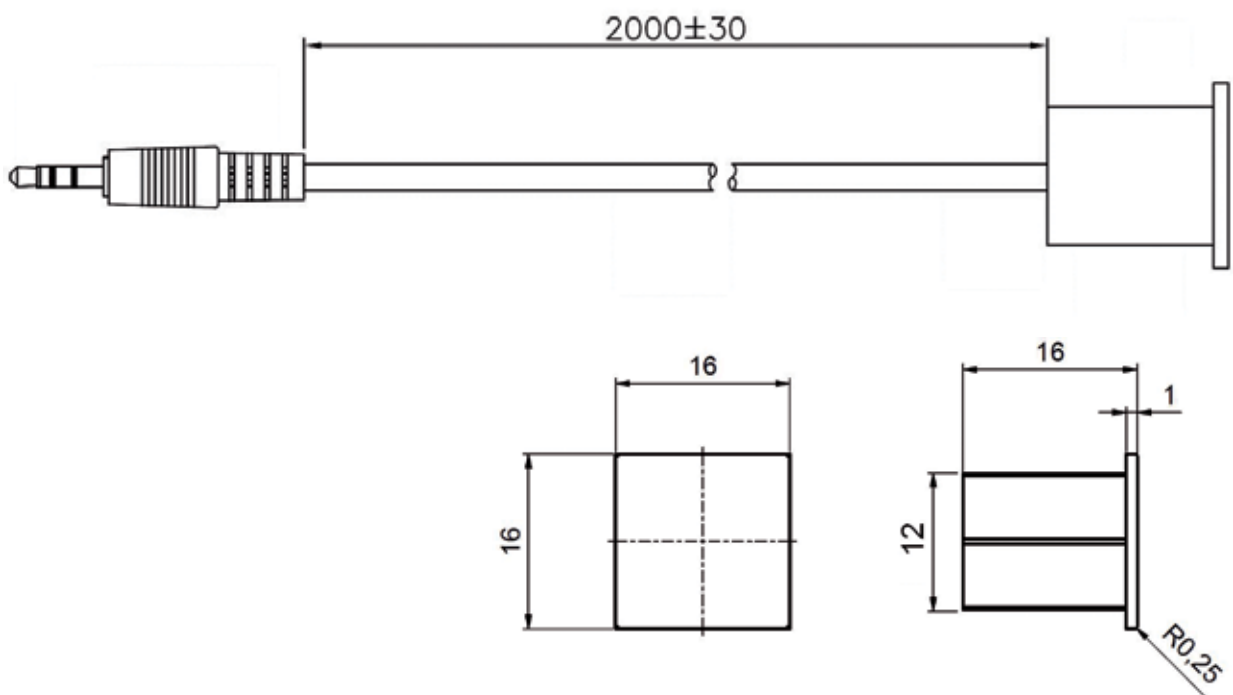
Usage:

- Ambient temperature +5°C to +40°C

Dimension DP1V:



IR extension eye article number 0964571



The IR extension eye is for mounting in a 12 mm hole. The eye has a 2000 mm cable with a mini Jack plug, which is to be plugged into the DP1V.

Operation of the system

The HB21 IR transmitter is a simple up/down control with a button for the up activation and a button for the down activation of 1 reference on the CBD. The HB22 is a two-channel controller, for controlling two references on the CBD.

For activation of the control box point with the HB20 at the DP1V or extension eye: Press the button up or down.

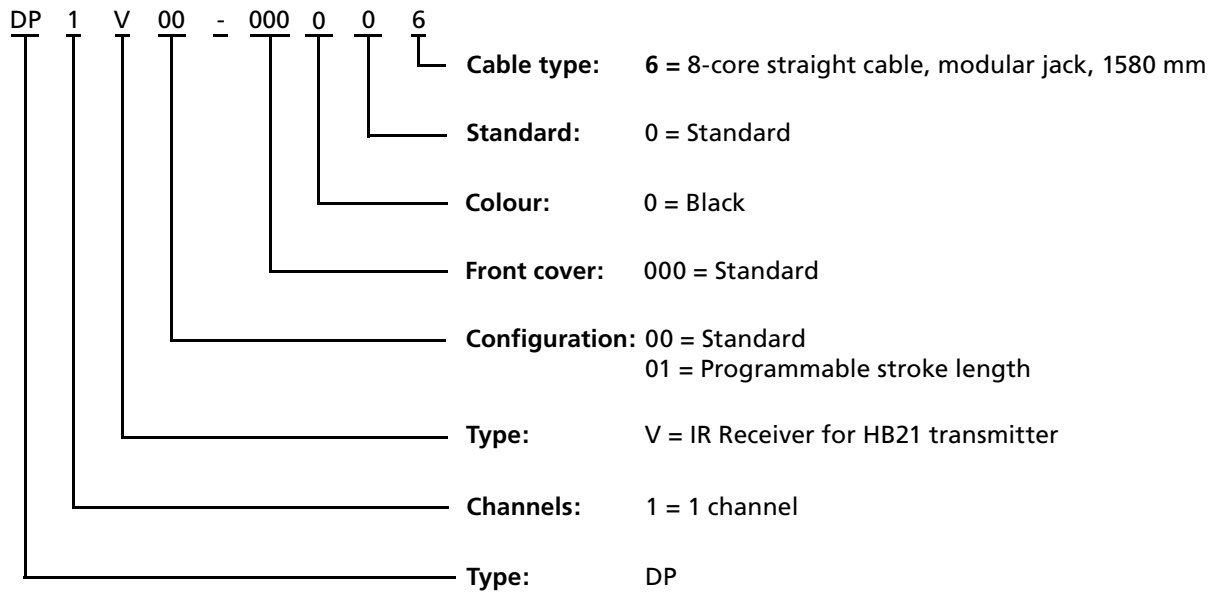
The operation range for the HB20 is approx. 6 m.

The DP1V can be mounted with an extension eye. Because the extension eye is more visible the operation range for the HB20 will be wider. When the IR extension eye is connected, the built-in IR eye in the DP1V is disabled.



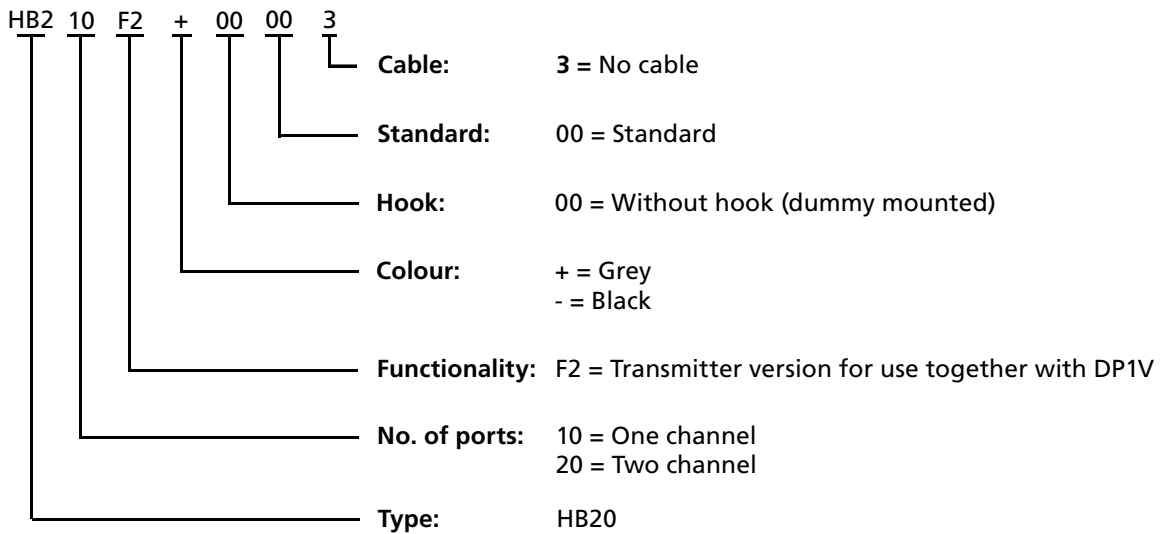
DP1

Ordering example:



HB21

Ordering example:



Terms of use

The user is responsible for determining the suitability of LINAK products for specific application. LINAK takes great care in providing accurate and up-to-date information on its products. However, due to continuous development in order to improve its products, LINAK products are subject to frequent modifications and changes without prior notice. Therefore, LINAK cannot guarantee the correct and actual status of said information on its products. While LINAK uses its best efforts to fulfill orders, LINAK cannot, for the same reasons as mentioned above, guarantee the availability of any particular product. Therefore, LINAK reserves the right to discontinue the sale of any product displayed on its website or listed in its catalogues or other written material drawn up by LINAK. All sales are subject to the Standard Terms of Sale and Delivery for LINAK. For a copy hereof, please contact LINAK.