



BP10 Data Sheet

Introduction

The Control Unit BP10 product series is designed for the control of recliner chairs with the LA10 system. The control unit is a small hand-held control which can optionally be placed in a bracket in the recliner chair and used as a panel. The control unit is available in three different version - BP11, BP12 and BP13 - controlling 1, 2 or 3 channels, respectively.

The Control Unit BP10 product series combines ergonomic design and functionality into a user-friendly control with intuitive buttons.



BP11



BP12



BP13 (recliner)



BP13 (bed)



BP10 bracket

Features/Options/Usage

Features

- Hand control controlling up to three channels
- Ergonomic and elegant design
- Magnetic
- Intuitive use
- Replaceable CR2032 battery
- PVC-Free™
- Supports sleep mode *

Options

- Customised silk screen print on cover
- Customised colour
- Customised logo on battery cover

Usage

- Ambient temperature: 5 to 40 °C
- Storage and transportation temperature: -10 to +50 °C
- Compatible with all HOMELINE® products with integrated Bluetooth®
- Complies with EN 60335-1

* *Sleep mode:*
 When no key is pressed, the handset will enter sleep mode 5 seconds after last operation. If a key (or a key combination) is pressed for more than 2 minutes, the remote enters power-saving mode even if the remote at that time is connected to a system. When this happens, the remote will disconnect from the system (if connected) and enter a power-saving mode where the keys are scanned every 500 ms for changes (the remote is sleeping the rest of the time). This is done to conserve power if a key becomes stuck during transportation. The power-saving mode is left when all keys are released.

Ordering

Name	Item number	Description
BP11	BP11BL0000	Control unit, 1 channel
BP12	BP12BL0001	Control unit, 2 channels
BP13	BP13BL0000	Control unit, 3 channels
Bracket for BP10	MB001	Bracket with metal plate
	MB002	Metal plate for under-cover mounting

Technical data

Data	Specification															
Channels	1 to 3															
Mounting	Magnetic															
Battery	CR2032 (replaceable)															
Option	<ul style="list-style-type: none"> • Customised silk screen print on cover • Customised colour • Customised logo on battery cover 															
Dimensions and weight	See Dimensional drawings Weight: Approximately 50 g															
Bracket	Optional															
Environment	<table> <tbody> <tr> <td></td> <td><u>Operation:</u></td> <td><u>Storage:</u></td> </tr> <tr> <td>Temperature:</td> <td>5 to 40 °C</td> <td>-10 to +50 °C</td> </tr> <tr> <td>Relative humidity:</td> <td>20 to 80 % at 30 °C</td> <td>20 to 80 % at 30 °C</td> </tr> <tr> <td>Atmospheric pressure:</td> <td>800 to 1060 hPa</td> <td>700 to 1060 hPa</td> </tr> <tr> <td>Altitude:</td> <td>Max. 2000 m</td> <td>Max. 2000 m</td> </tr> </tbody> </table>		<u>Operation:</u>	<u>Storage:</u>	Temperature:	5 to 40 °C	-10 to +50 °C	Relative humidity:	20 to 80 % at 30 °C	20 to 80 % at 30 °C	Atmospheric pressure:	800 to 1060 hPa	700 to 1060 hPa	Altitude:	Max. 2000 m	Max. 2000 m
	<u>Operation:</u>	<u>Storage:</u>														
Temperature:	5 to 40 °C	-10 to +50 °C														
Relative humidity:	20 to 80 % at 30 °C	20 to 80 % at 30 °C														
Atmospheric pressure:	800 to 1060 hPa	700 to 1060 hPa														
Altitude:	Max. 2000 m	Max. 2000 m														

Dimensional drawings

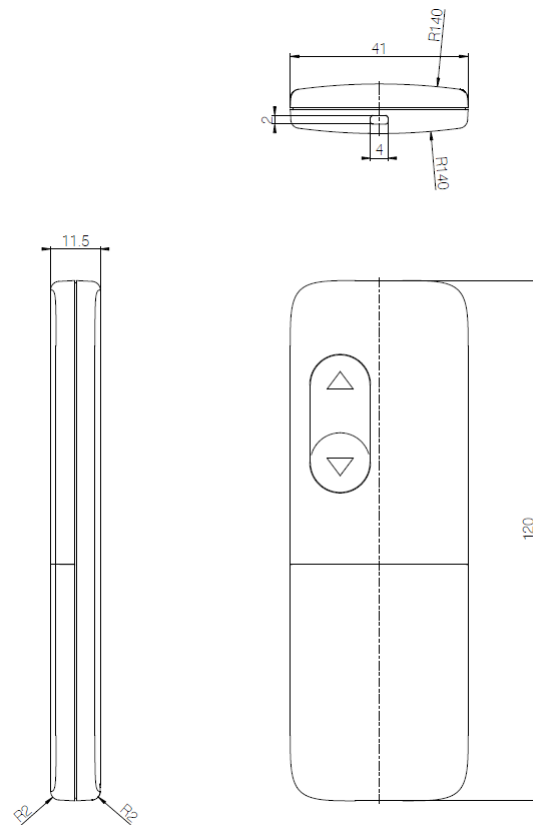


Figure 1 BP11 dimensions (mm)

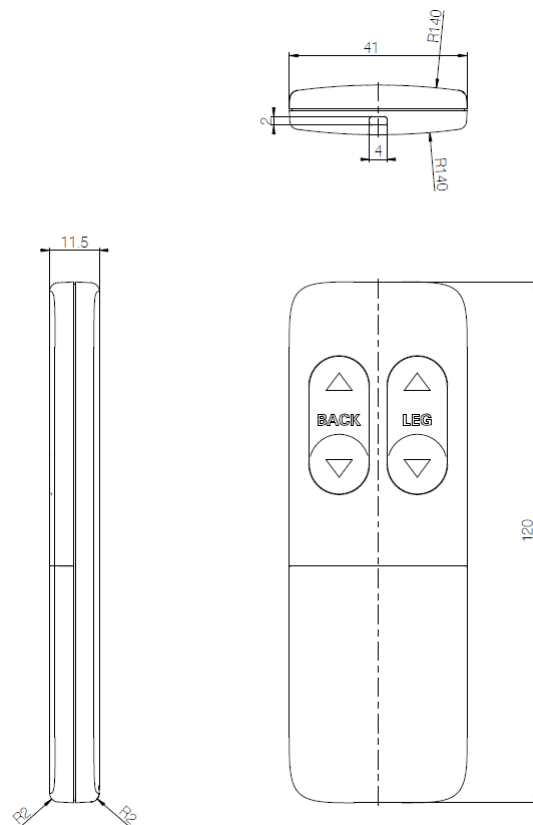


Figure 2 BP12 dimensions (mm)

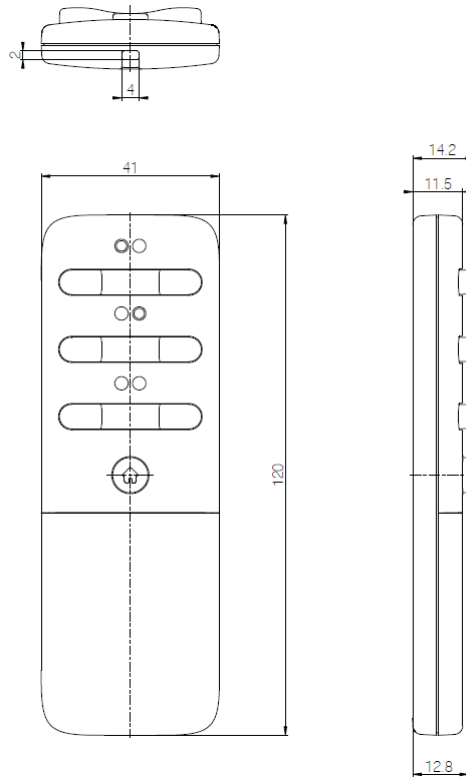


Figure 3 BP13 dimensions (mm)

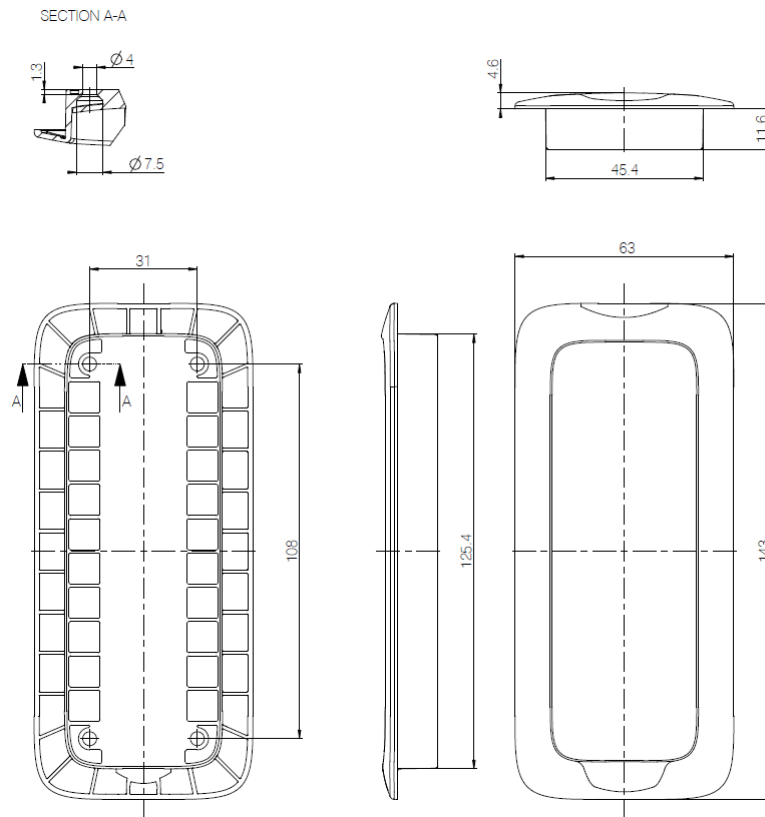


Figure 4 Bracket for BP10

FACTORIES

DENMARK - HEADQUARTERS

LINAK A/S
PHONE: +45 73 15 15 15
FAX: +45 74 45 80 48
FAX (SALES): +45 73 15 16 13
WWW.LINAK.COM

CHINA

LINAK (SHENZHEN) ACTUATOR SYSTEMS, LTD.
PHONE: +86 755 8610 6656
PHONE: +86 755 8610 6990
WWW.LINAK.CN

SLOVAKIA

LINAK SLOVAKIA S.R.O.
PHONE: +421 51 7563 444
WWW.LINAK.SK

THAILAND

LINAK APAC LTD.
PHONE: +66 33 265 400
WWW.LINAK.COM

USA

LINAK U.S. INC.
AMERICAS HEADQUARTERS
PHONE: +1 502 253 5595
FAX: +1 502 253 5596
WWW.LINAK-US.COM
WWW.LINAK-LATINAMERICA.COM

SUBSIDIARIES

Australia

LINAK Australia Pty. Ltd
PHONE: +61 3 8796 9777
FAX: +61 3 8796 9778
E-mail: sales@linak.com.au
www.linak.com.au

Austria

LINAK Repräsentanz - Österreich (Wien)
PHONE: +43 (1) 890 7446
FAX: +43 (1) 890 7446 15
E-mail: info@linak.de
www.linak.at - www.linak.hu

Belgium

LINAK Actuator-Systems NV/SA
(Belgium & Luxembourg)
PHONE: +32 (0)9 230 01 09
E-mail: beinfo@linak.be
www.linak.be - www.fr.linak.be

Brazil

LINAK Do Brasil Comércio De Atuadores Ltda.
PHONE: +55 (11) 2832 7070
FAX: +55 (11) 2832 7060
E-mail: info@linak.com.br
www.linak.com.br

Canada

LINAK Canada Inc.
PHONE: +1 502 253 5595
FAX: +1 416 255 7720
E-mail: info@linak.ca
www.linak-us.com

Czech Republic

LINAK C&S s.r.o.
PHONE: +42 058 174 1814
FAX: +42 058 170 2452
E-mail: info@linak.cz
www.linak.cz - www.linak.sk

Denmark - International

LINAK International
PHONE: +45 73 15 15 15
E-mail: info@linak.com
www.linak.com

Denmark - Sales

LINAK DANMARK A/S
PHONE: +45 86 80 36 11
FAX: +45 86 82 90 51
E-mail: linak@linak-silkeborg.dk
www.linak.dk

Finland

LINAK OY
PHONE: +358 10 841 8700
E-mail: linak@linak.fi
www.linak.fi

France

LINAK FRANCE E.U.R.L
PHONE: +33 (0) 2 41 36 34 34
FAX: +33 (0) 2 41 36 35 00
E-mail: linak@linak.fr
www.linak.fr

Germany

LINAK GmbH
PHONE: +49 6043 9655 0
FAX: +49 6043 9655 60
E-mail: info@linak.de
www.linak.de

India

LINAK A/S India Liaison Office
PHONE: +91 120 4531797
FAX: +91 120 4786428
E-mail: info@linak.in
www.linak.in

Ireland

LINAK UK Limited (Ireland)
PHONE: +44 (0)121 544 2211
FAX: +44 (0)121 544 2552
+44 (0)796 855 1606 (UK Mobile)
+35 387 634 6554
(Republic of Ireland Mobile)
E-mail: sales@linak.co.uk
www.linak.co.uk

Italy

LINAK ITALIA S.r.l.
PHONE: +39 02 48 46 33 66
FAX: +39 02 48 46 82 52
E-mail: info@linak.it
www.linak.it

Japan

LINAK K.K.
PHONE: 81-45-533-0802
FAX: 81-45-533-0803
E-mail: linak@linak.jp
www.linak.jp

Malaysia

LINAK Actuators Sdn. Bhd.
PHONE: +60 4 210 6500
FAX: +60 4 226 8901
E-mail: info@linak-asia.com
www.linak.my

Netherlands

LINAK Actuator-Systems B.V.
PHONE: +31 76 5 42 44 40 /
+31 76 200 11 10
E-mail: info@linak.nl
www.linak.nl

New Zealand

LINAK New Zealand Ltd
PHONE: +64 9580 2071
FAX: +64 9580 2072
E-mail: nzsales@linak.com.au
www.linak.com.au

Norway

LINAK Norge AS
PHONE: +47 32 82 90 90
E-mail: info@linak.no
www.linak.no

Poland

LINAK Polska
LINAK Danmark A/S (Spółka Akcyjna)
PHONE: +48 22 295 09 70 /
+48 22 295 09 71
E-mail: info@linak.pl
www.linak.pl

Republic of Korea

LINAK Korea Ltd.
PHONE: +82 2 6231 1515
FAX: +82 2 6231 1516
E-mail: info@linak.kr
www.linak.kr

Russia

LINAK LLC
PHONE: +7 495 780 3161
FAX: +7 495 687 1426
E-mail: info@linak.ru
www.linak.ru

Slovakia

LINAK SLOVAKIA S.R.O.
PHONE: +421 51 7563 444
www.linak.sk

Spain

LINAK Actuadores, S.L.u
PHONE: +34 93 588 27 77
FAX: +34 93 588 27 85
E-mail: esma@linak.es
www.linak.es

Sweden

LINAK Scandinavia AB
PHONE: +46 8 732 20 00
FAX: +46 8 732 20 50
E-mail: info@linak.se
www.linak.se

Switzerland

LINAK AG
PHONE: +41 43 388 31 88
FAX: +41 43 388 31 87
E-mail: info@linak.ch
www.linak.ch - www.fr.linak.ch
www.it.linak.ch

Taiwan

LINAK (Shenzhen) Actuator systems Ltd.
Taiwan Representative office
PHONE: +886 2 272 90068
FAX: +886 2 272 90096
E-mail: sales@linak.com.tw
www.linak.com.tw

Turkey

LINAK İth. İhr. San. ve Tic. A.Ş.
PHONE: +90 312 4726338
FAX: +90 312 4726635
E-mail: info@linak.com.tr
www.linak.com.tr

United Kingdom

LINAK UK Limited
PHONE: +44 (0)121 544 2211
FAX: +44 (0)121 544 2552
E-mail: sales@linak.co.uk
www.linak.co.uk

DISTRIBUTORS

Argentina

NOVOTEC ARGENTINA SRL
PHONE: 011-4303-8989 / 8900
FAX: 011-4032-0184
E-mail: info@novotecargentina.com
www.novotecargentina.com

Colombia

MEM Ltda
PHONE: +[57] (1) 334-7666
FAX: +[57] (1) 282-1684
E-mail: servicioalcliente@memltda.com.co
www.mem.net.co

India

Mechatronics Control Equipments India Pvt Ltd
PHONE: +91-44-28558484, 85
E-mail: bala@mechatronicscontrol.com
www.mechatronicscontrol.com

Indonesia

PT. HIMALAYA EVEREST JAYA
PHONE: +6 221 544 8956,
+6 221 544 8965
FAX: +6 221 619 1925
FAX (Sales): +6 221 619 4658
E-mail: hejplastic-div@centrin.net.id
www.hej.co.id

Israel

NetivTech LTD
PHONE: +972 55-2266-535
FAX: +972 2-9900-560
Email: info@NetivTech.com
www.netivtech.com

Russia

OOO FAM
PHONE: +7 812 3319333
FAX: +7 812 3271454
E-mail: purchase@fam-drive.ru
www.fam-drive.ru

Singapore

Servo Dynamics Pte Ltd
PHONE: +65 6844 0288
FAX: +65 6844 0070
E-mail: servodynamics@servo.com.sg

South Africa

Industrial Specialised Applications CC
PHONE: +27 011 466 0346
E-mail: gartht@isagroup.co.za
www.isaza.co.za

United Arab Emirates

Mechatronics
PHONE: +971 4 267 4311
FAX: +971 4 267 4312
E-mail: mechtron@emirates.net.ae

Terms of use

LINAK® takes great care in providing accurate and up-to-date information on its products. However, the user is responsible for determining the suitability of LINAK® products for a specific application. Due to continuous development, LINAK products are subject to frequent modifications and changes. LINAK reserves the rights to conduct modifications, updates, and changes without any prior notice. For the same reason, LINAK cannot guarantee the correctness and actual status of imprinted information on its products. LINAK uses its best efforts to fulfil orders. However, for the reasons mentioned above, LINAK cannot guarantee availability of any particular product at any given time. LINAK reserves the right to discontinue the sale of any product displayed on its website or listed in its catalogues or in other written material created and produced by LINAK, LINAK subsidiaries, or LINAK affiliates. All sales are subject to the 'Standard Terms of Sale and Delivery for LINAK A/S'. Please contact LINAK for a copy. LINAK and the LINAK logotype are registered trademarks of LINAK A/S. All rights reserved.



WE IMPROVE YOUR LIFE