



Control Box COL50 Data sheet

COL50

The control box COL50 is a part of the LIFT50 product series specially developed for patient lifts.

LIFT50 is a complete system consisting of the control box COL50, a battery BAL50 and an external charger CHL50 in a flexible solution. Combined with one or more actuators and a hand control, you have a complete system for modern patient lifts.

The control box COL50 contains a series of features which meet the patient's need for a safe and comfortable lift. Equipped with 3 channels, turbo-boosting for faster positioning, Bluetooth®, redundant controls, easy-to-understand LED indicators and more.

Combine this with next generation of Li-Ion battery technology for high performance and improved return on investment (ROI) due to long lifetime. Packaged in a light, small and ergonomic package for fast and single-handed battery exchange. The updated design with a clean white surface reduces visual noise. This makes it easy to integrate the LIFT50 design into the OEM patient lifter design.



Feature highlights:

- Compact modern design
- 3 channels
- Li-Ion battery technology
- SoftCon2 ready
- Speed Boost
- Easy-to-read LED indication
- Redundant controls

Usage:

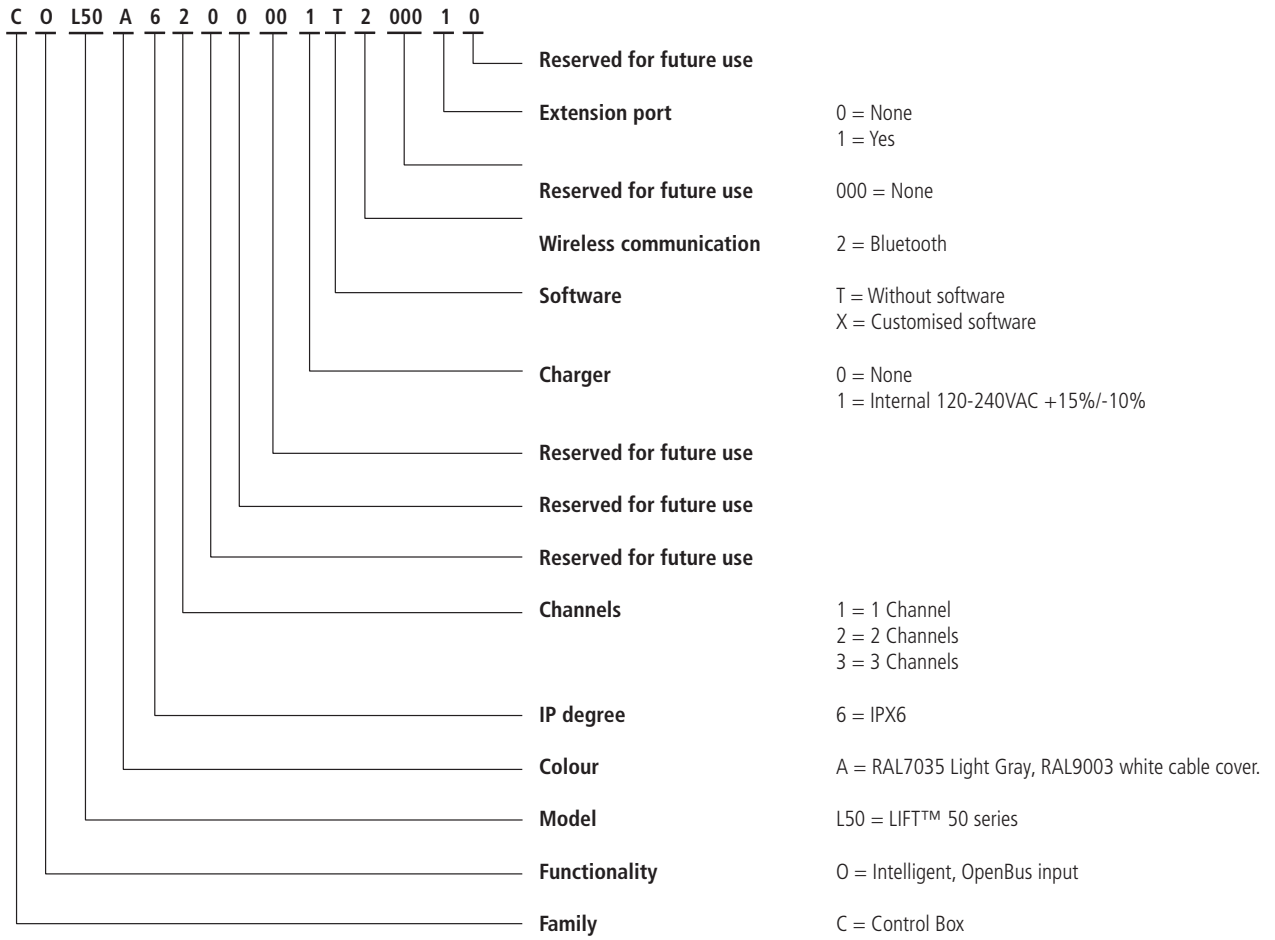
- With internal charger: Nominal current draw max. 350 mA (depending on input voltage)
Power consumption (standby) max. 0.5 W power (depending on input voltage)
Input voltage range: 120-240 VAC (50/60 Hz)
Power consumption (charging) max. 30 W (depending on input voltage)

- Duty cycle: Max. 10% or 2 min. continuous use followed by 18 min. without use
- Operating temperature: +5 °C to +40 °C
- Storage temperature: -10 °C to +50 °C
- Relative humidity: 20% to 80% - non-condensing
- Atmospheric pressure: 700 to 1060 hPa
- Meters above sea level: Max. 3000 meters
- Approvals (pending):
 - EN IEC 60601-1
 - ANSI/AAMI ES60601-1
 - CAN/CSA-C22.2 NO. 60601-1
 - EN IEC 60601-1-2
 - RED (EU)
 - FCC ID (US)
 - IC ID (Canada)
 - Telec (Japan)
 - Bluetooth® qualification

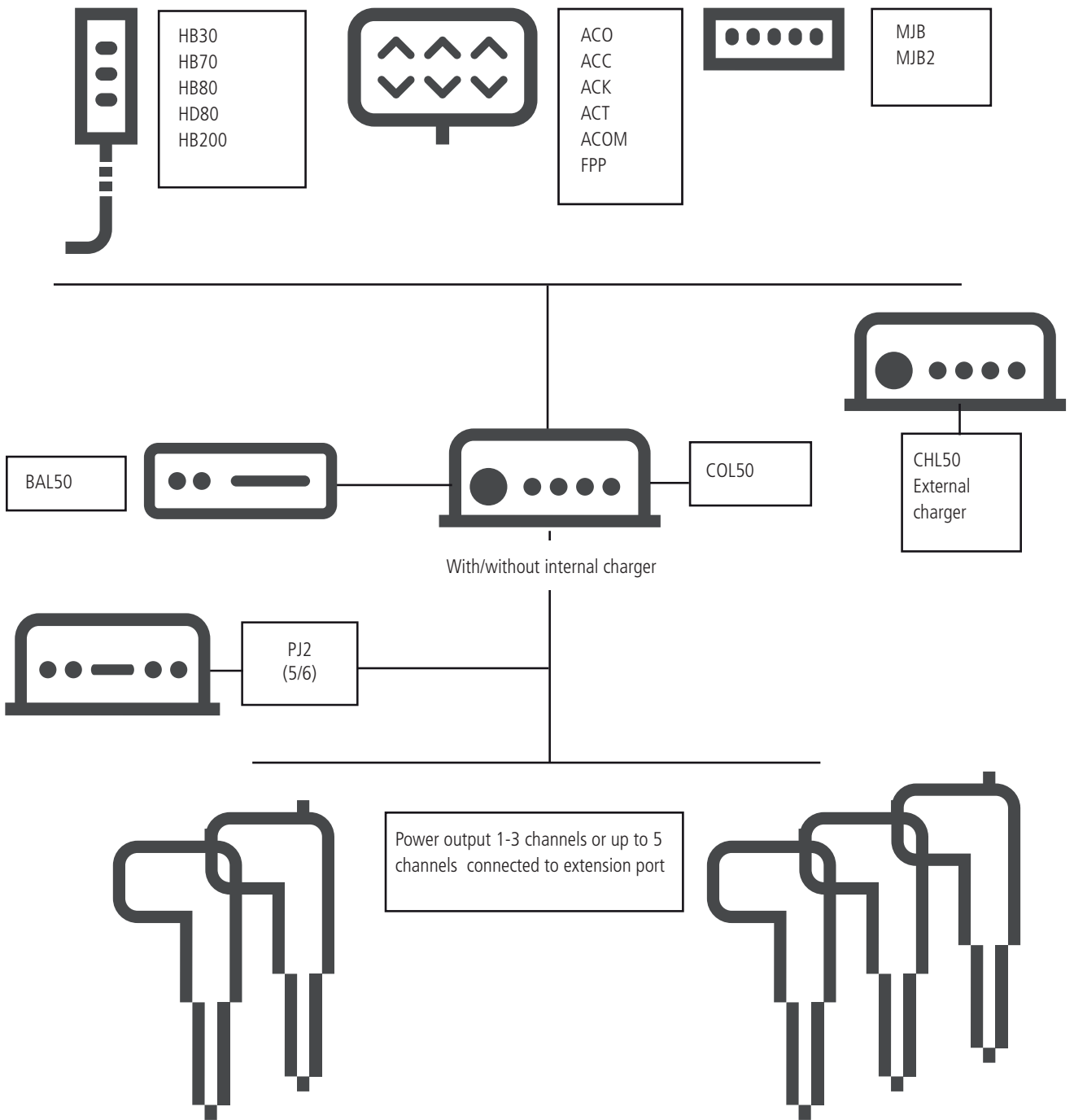
Features and options

| Features | COL50 |
|-------------------------|--|
| Channels | 3 channels |
| Channel extension | +2 (5 in total) |
| Output current | 12A - CH1, CH2 and CH3. (Duty cycle 2/18 min) |
| Soft start/stop | Yes |
| Emergency stop function | Located on BAL50 |
| Acoustic battery alarm | Yes |
| LED Indicators | Battery status (3 green LEDs, first LED on left side switches to yellow at lowest status) and system status/service (2 x yellow) |
| Turbo boost | Yes |
| Wireless operation | BLE, Bluetooth® Low Energy |
| Redundant control | Up and down channel 1 |
| Cable management | Yes |
| Ingress Protection | IPX6 |
| Learn mode | Standard/Advanced (easy adjustment) |
| Battery charging | Internal and external |
| Charging time | Approx. 4 hours |
| Software customisation | SoftCon2 |
| Colour base | Light grey RAL7035 |
| Colour cable cover | Signal white RAL 9003 |
| Feedback actuators | Yes, parallel and simultaneous movement (only same direction), memory positions |
| Service status | LED + Service Data Tool |
| Low battery information | Still able to get battery status Yellow LED indication + buzzer |

Ordering example
COL50



COL50 - System Overview



Internal battery charger:

COL50 is available with and without internal charger.

The internal SMPS charger makes charging of the batteries very efficient.

The charging time depends on the battery capacity and condition. Typically, the BAL50 charging time is approx. 4-5 hours from fully discharged state and depending on connected accessories.

Turbo boost

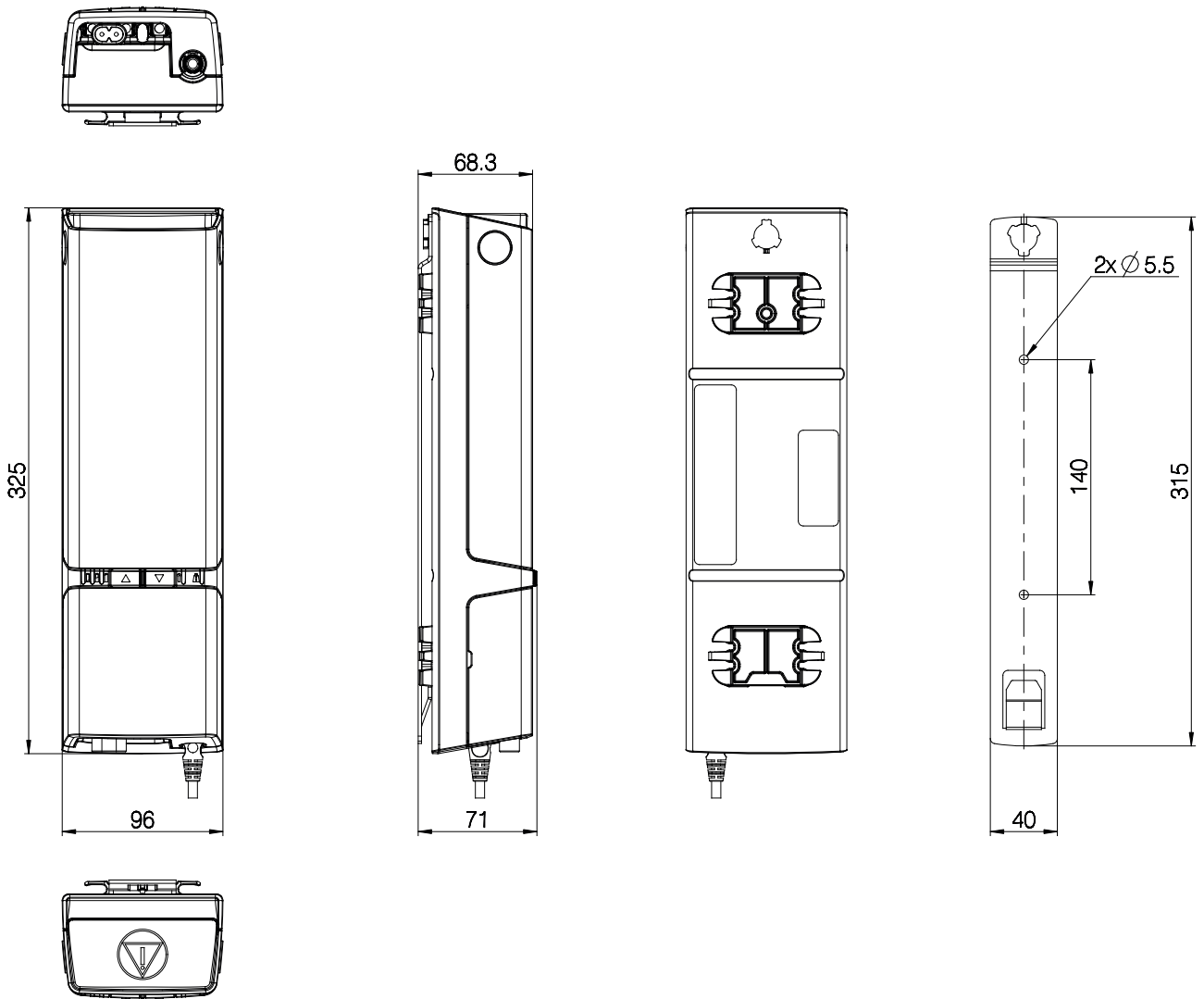
The COL50 has a new feature, turbo boost.

The turbo boost function can operate unloaded actuators at increased speed – up to 30% higher speed. The turbo boost can be used unloaded or at lower workloads (max. boost power approx. 100 W).

Turbo boost can be used for increased efficiency. The nurse will save valuable time by faster "getting-ready-to-lift" before moving the patient. Or to save time after use, when parking the lift in the hallway.

Using the turbo boost allows simultaneous use of several channels for running to "ready for lift" position or "parking" position.

Dimension drawing



Drawing no. 1039w4000

| Accessories list and item numbers | |
|---|---------------------------------|
| Cable lock (lid) | Item no: 1039W1003 |
| Mains cables (must be ordered separately) | Please contact your local LINAK |
| Blind plug actuator port | Item no: 0961318 |
| Blind plug hand control port | Item no: 0821008 |
| Mounting bracket | Item no: 1039W1009 |
| Cable hanger | Item no: 1039W1041 |

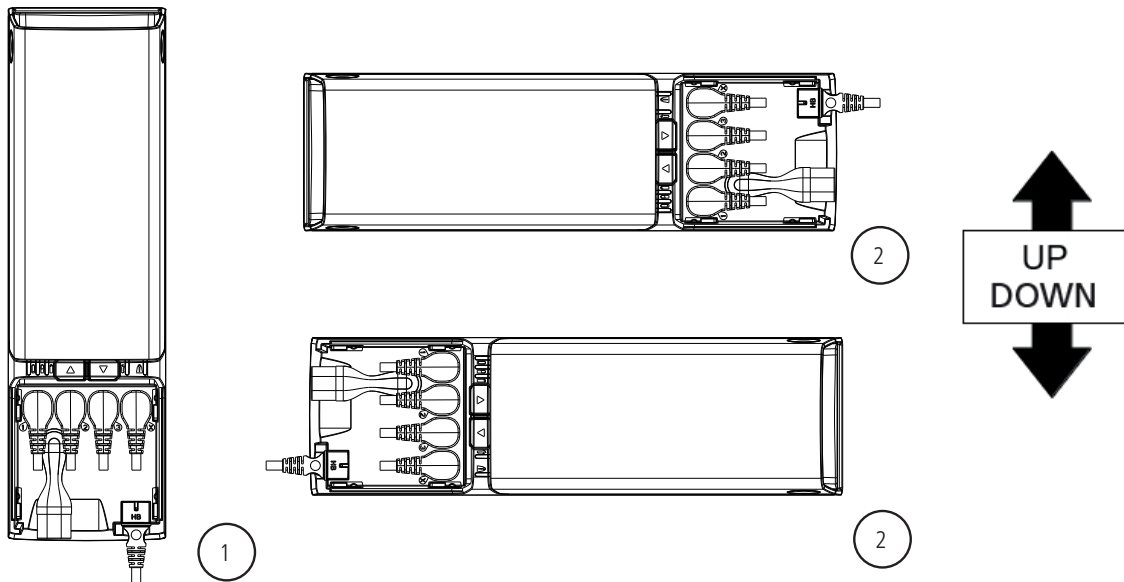
Hand control for the Learn Mode function

A special hand control has been prepared for the Learn Mode function.

HB30112-00



LIFT50 mounting



Drawing no. 1039w4000

LINAK® accepts no responsibility for possible errors or inaccuracies in catalogues, brochures, and other material. LINAK reserves the right to change its products without prior notice. LINAK cannot guarantee product availability and reserves the right to discontinue the sale of any product. The user is responsible for determining the suitability of LINAK products for a specific application. All sales are subject to the 'Standard Terms of Sale and Delivery', available on LINAK websites.

LINAK and the LINAK logotype are registered trademarks of LINAK A/S. All rights reserved.