



Control Box CBI-Home Data sheet

CBJ-Home

The CBJ-Home is a specially developed solution for patient lifts. The complete system consists of a control box and a battery enclosed in a single elegant module. The system is approved according to medical safety standards and contains a series of features ensuring a safe comfortable lift, e.g. the CBJ-Home is equipped with a soft-start function, electrical emergency lowering, emergency stop etc.



Features and Options:

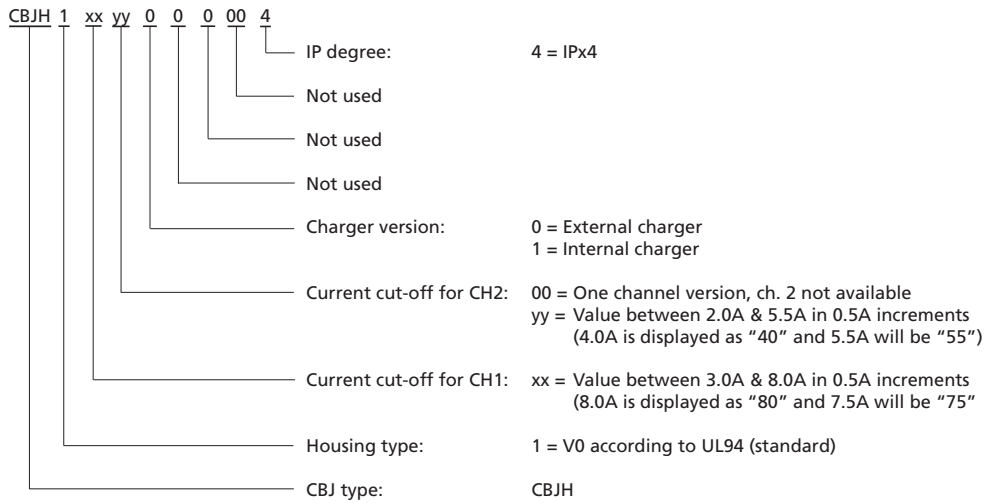
- Protection class IPX4
- Approx. 40 cycles per charge (as with CBJ)
- Mounting without bracket
- Soft start
- Colour grey RAL 7035
- Learn mode for adjustable current cut-off via a special handset
- Emergency stop button
- Buzzer sounds if battery capacity is low (2 - 10 cycles left)
- Front cover with:
 - Green LED indication of handset activation
 - Yellow LED indication of charging
 - Button for electrical emergency lowering
- Internal Charger
- External charger possible CH01
- Internal charger possible (100 V AC - 240 V AC (50/60 Hz))

Usage:

- CBJ-Home is only compatible with LA31, LA34 (not fast motor) and LA44 (not fast motor) on channel1 (Hi/Lo) and LA31 on channel 2 (leg spreader).
- Duty cycle: Max. 10 % or 2 min. continuous use then 18 min. without use
- Ambient temperature + 5 °C to + 40 °C
- Storage temperature: - 10 °C to + 50 °C
- Approvals: IEC60601-1, ANSI/AAMI ES60601

CBJ-Home

Ordering example:



Recommendations:

- The mains cables must always be ordered separately when ordering a CBJ with an internal charger.
- Use only original LINAK mains cables to ensure proper connection to internal charger.

Functionality:



Front cover on the Jumbo Home with:

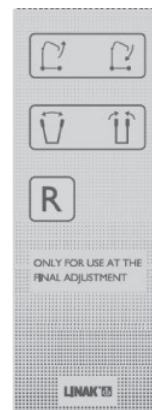
- LED indication of charging (yellow) always lit when charging with an external charger, e.g. CH01. When charging with internal charger the LED will blink during charging and change to a constant yellow light when fully charged.
- LED indication of handset activation (green) is also lit when connected to the mains.
- Button for electrical emergency lowering. Battery must be charged, in order to operate via this button.

Buzzer indications:

- Battery: If the battery is low the buzzer will sound constantly when the hand control is activated.
- Overload: (Not for external charger versions produced before February 2010) CBJH will beep twice if the actuator is overloaded (over the current limit)
- current will be cut-off and the actuator will stop. The actuator can be started again when the overload is removed.
- Overheated: (Not for external charger versions produced before February 2010) CBJH will beep twice if CBJH is overheated - current will be cut-off and the actuator will stop. The actuator can be started again when the temperature has returned to normal.
- Learn mode: Single beep when current cut-off value is stored.

Learn mode function:

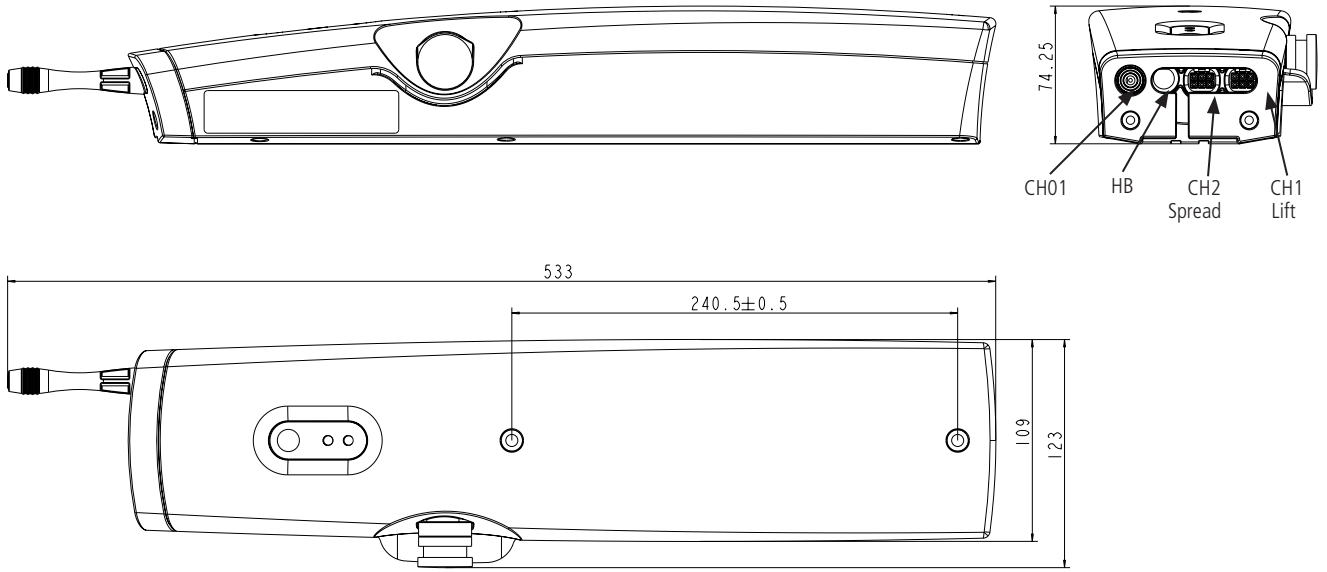
The patient hoist norm: EN10535 states that a patient hoist is not allowed to lift more than 1.5 times the max. weight it is intended for. For example, if the lift is intended for max. 100 kg it should not be able to lift more than 150 kg.
By using the learn mode function it is possible to programme the JUMBO Home so that the control box automatically stops whenever the max. intended weight is exceeded.



Front cover nr. 00HBW073079 to be fitted to handset HB7x161-00

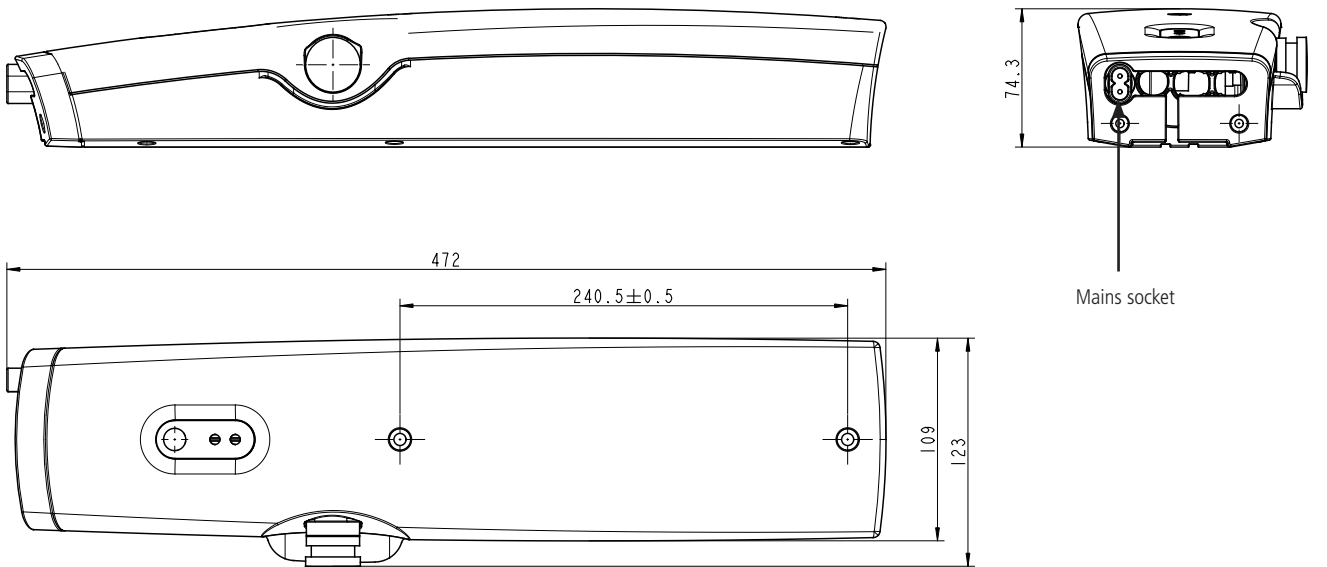
Dimensions

(with external charger):

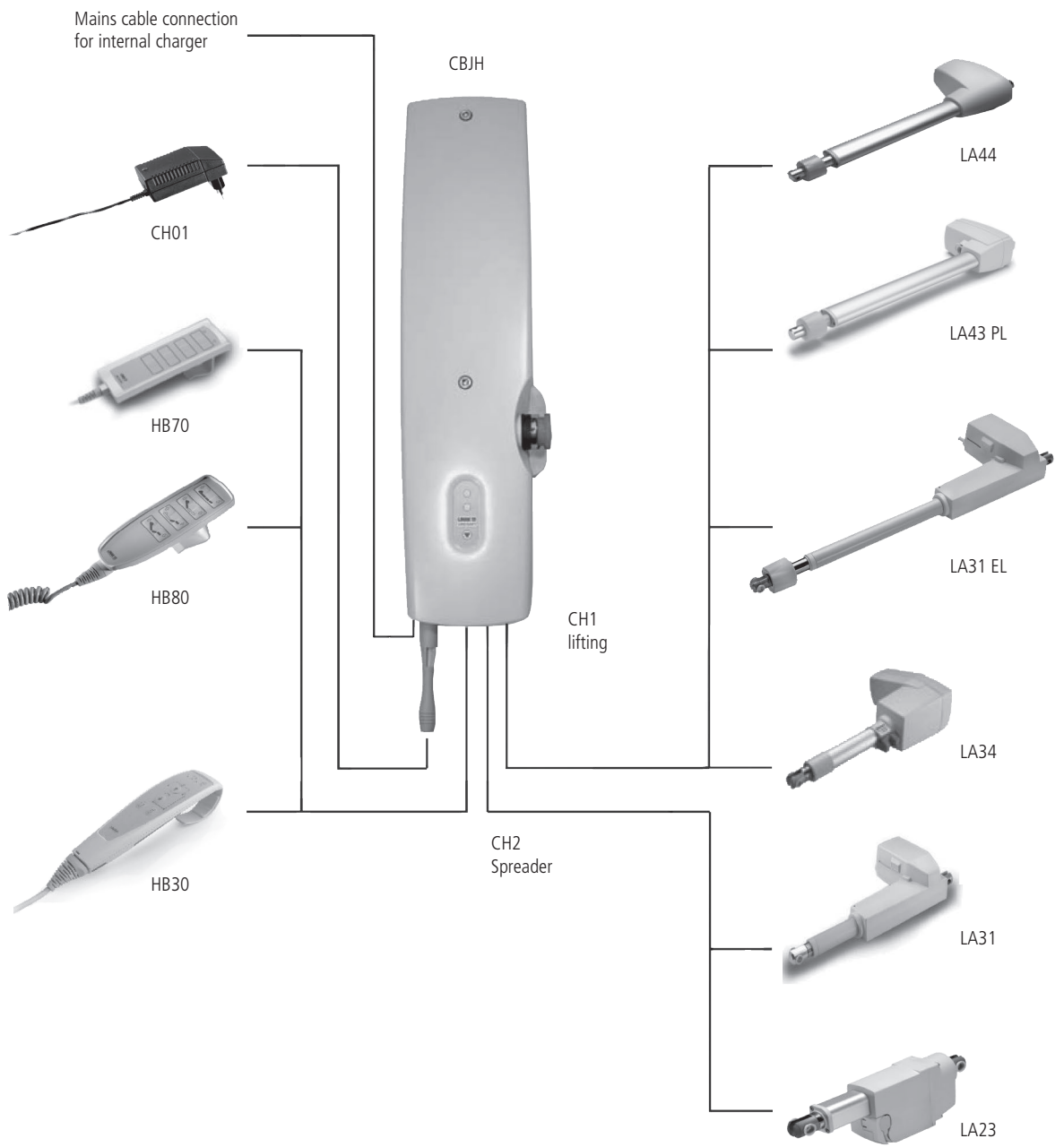


Dimensions

(with internal charger):



Combination overview:



Terms of use

The user is responsible for determining the suitability of LINAK products for specific application. LINAK takes great care in providing accurate and up-to-date information on its products.

However, due to continuous development in order to improve its products, LINAK products are subject to frequent modifications and changes without prior notice. Therefore, LINAK cannot guarantee the correct and actual status of said information on its products.

While LINAK uses its best efforts to fulfill orders, LINAK cannot, for the same reasons as mentioned above, guarantee the availability of any particular product. Therefore, LINAK reserves the right to discontinue the sale of any product displayed on its website or listed in its catalogues or other written material drawn up by LINAK.

All sales are subject to the Standard Terms of Sale and Delivery for LINAK. For a copy hereof, please contact LINAK.