



HOMELINE[®] CBD6DC

Data sheet

HOMELINE® CBD6DC

The CBD6DC is an optimal choice for TD4/TD5 Advanced and LA40 applications together with various accessories, such as massage motors or extra light. The control box ensures smooth adjustment of the bed and soft start and stop of the connected actuators. Another feature is auto-detection of the type.

The CBD6DC is a small and compact control box that requires a minimum of space when mounted. On opposite sides, the control box has two plugs for connection of actuators. Furthermore, it has two DC plugs and two RJ45 plugs. All plugs are white, so they are easily recognised, for example under the bed.

The CBD6DC is available as a 2-channel version and requires an external power supply unit, for example the SMPS006.

From an environmental perspective, the CBD6DC is a good choice as it has extremely low power consumption in standby mode, only 0.1 W, and the CBD6DC control box is PVC-Free™, which is state-of-the-art.



Features:

- The CBD6DC can be connected to 1 or 2 actuators
- Input voltage 24 to 29 V DC
- Plugs: Two motor cable (6-pole mini-fit)
 - Two DC
 - Two RJ45
- Ultra-compact; 96 x 96 x 23 mm
- Lightweight control box; weight only approx. 400 g
- Colour: Black (RAL 9005)
- Soft start/stop function
- White plugs for easy recognition when mounting/dismounting
- PVC-Free™
- Low standby power consumption - only 0.1 W

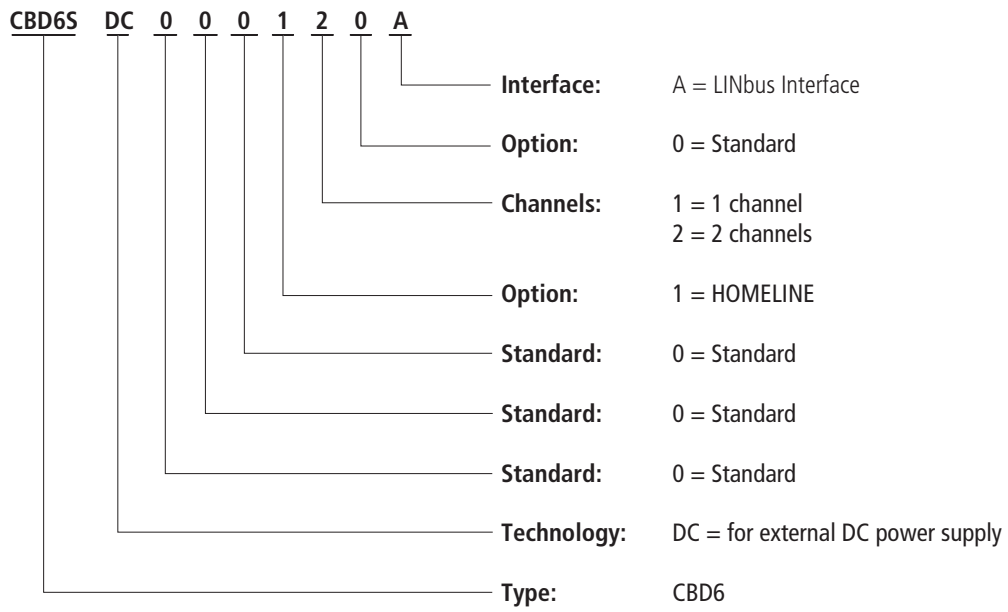
Options:

- Connect one or two LA40 together with TD4/TD5 Advanced
- Connect an LA40 and/or a TD4/TD5 Advanced system to various accessories
- Connect various accessories as a stand-alone solution
- Mounting plate

Usage:

- Compatible with TD4 Advanced, TD5 Advanced, and LA40
- Compatible with WiFi2LIN module, BLE2LIN, Bed Control App, LED light rail, and massage motor
- Compatible with all wireless HOMELINE® controls
- Compatible with SMPS001, SMPS002 and SMPS006

Ordering example:



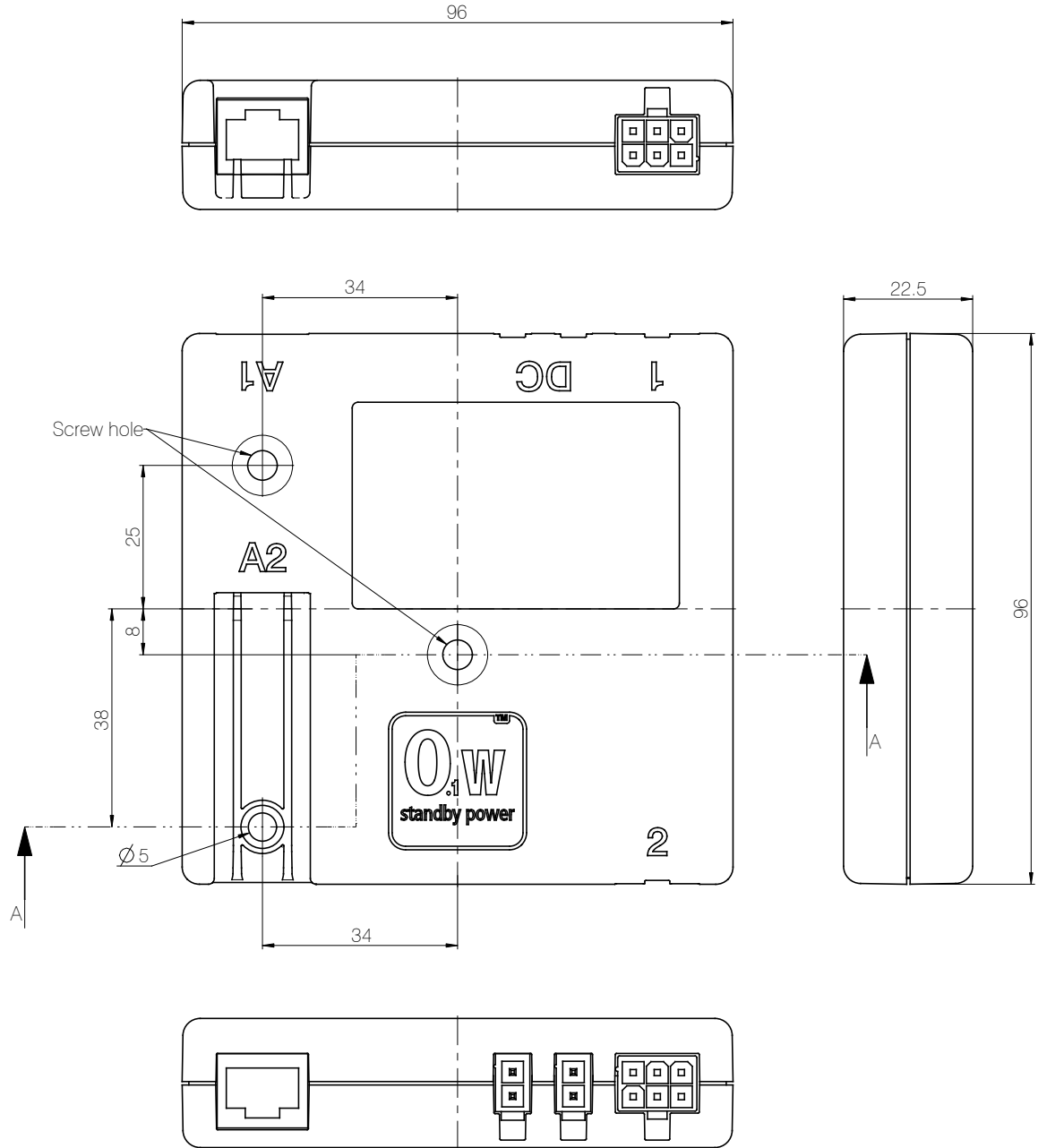
Mounting plate and screw for mounting the CBD6DC on a TD4/TD5 Advanced

Item	Item number
Mounting plate and screw	SA1062W1004

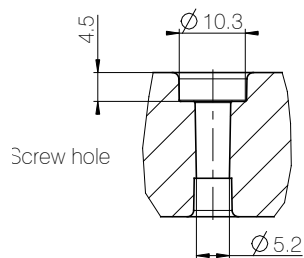
The SMPS must be ordered separately:

- SMPS001 = 230 V version
- SMPS002 = 120 V version
- SMPS006 = Universal input 100-240 V version

Dimensions



CBD6DC dimensions (mm)



Screw hole dimensions (mm)

LINAK® accepts no responsibility for possible errors or inaccuracies in catalogues, brochures, and other material. LINAK reserves the right to change its products without prior notice. LINAK cannot guarantee product availability and reserves the right to discontinue the sale of any product. The user is responsible for determining the suitability of LINAK products for a specific application. All sales are subject to the 'Standard Terms of Sale and Delivery', available on LINAK websites.

LINAK and the LINAK logotype are registered trademarks of LINAK A/S. All rights reserved.