



CB8-T
Data sheet

CB8-T

The CB8-T is developed for use with LINAK A/S' actuators and handsets. The control box can operate up to 2 actuators individually.

The simple compact design combined with high quality makes the control box ideal for use with beds, chairs, tables and many other applications.

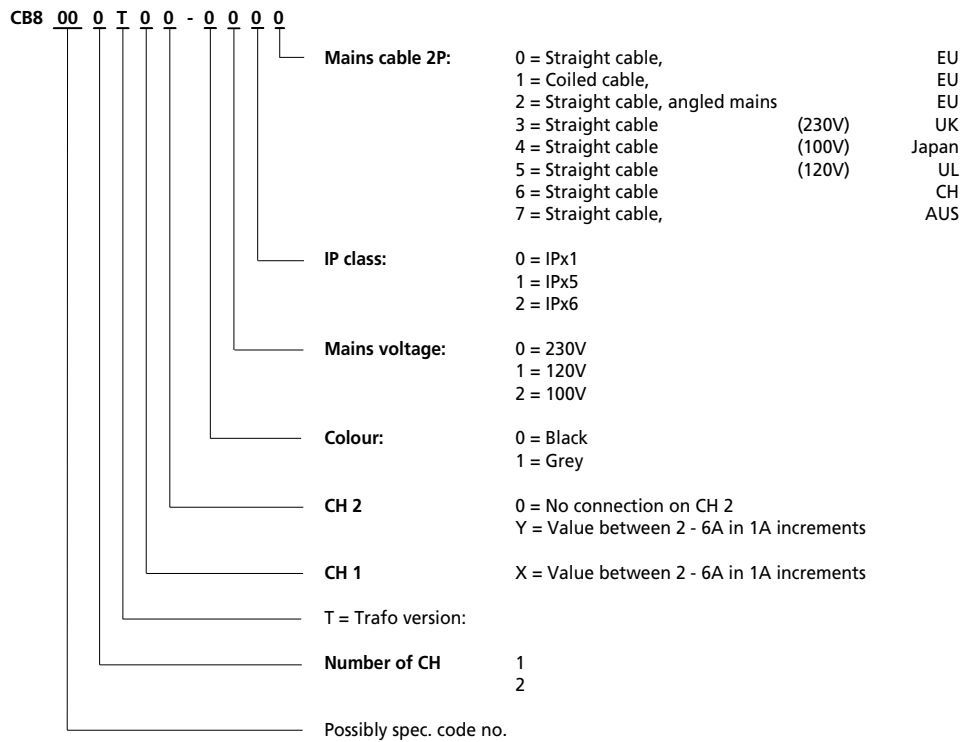


Features:

- Connection of max. 2 actuators
- Extremely compact design
- Mains voltage: 220-240/120/100 V AC 50-60 Hz
- Duty cycle: Max. 5 % or 1 min. in use and 19 minutes not in use (valid for 1 actuator at a time)
- Output voltage 24 V DC
- Ambient temperature +5°C to +40°C
- Standard protection class: IPX1
- Colour: black
- 8 pin DIN-socket for handset
- 3.2 m straight mains cable
- Electronic overload protection (EOP) prevents overload of the actuator
- Protection class: IPX5 or IPX6
- 0.6 m coiled mains cable
- Colour: grey

CB8T

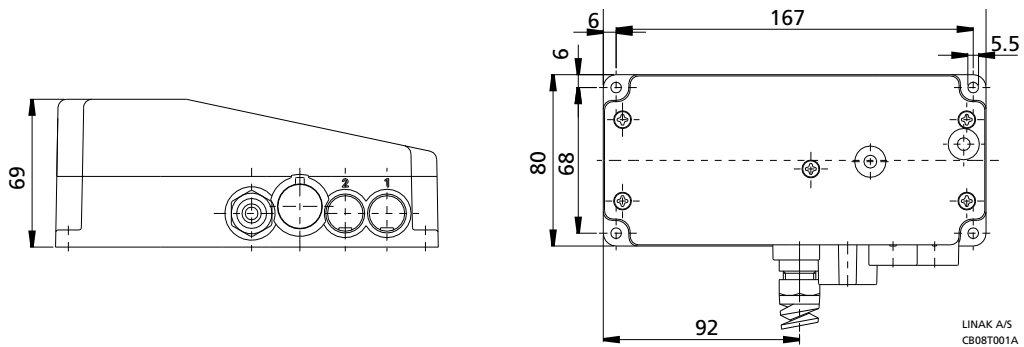
Ordering example:



General information:

The current measurement is individual for each channel, but if the total current consumption reaches 8 Amp., then the CB cuts off the current. The CB and the actuator are therefore also protected by a common current measurement.

Dimension



Terms of use

The user is responsible for determining the suitability of LINAK products for specific application. LINAK takes great care in providing accurate and up-to-date information on its products.

However, due to continuous development in order to improve its products, LINAK products are subject to frequent modifications and changes without prior notice. Therefore, LINAK cannot guarantee the correct and actual status of said information on its products.

While LINAK uses its best efforts to fulfil orders, LINAK cannot, for the same reasons as mentioned above, guarantee the availability of any particular product. Therefore, LINAK reserves the right to discontinue the sale of any product displayed on its website or listed in its catalogues or other written material drawn up by LINAK.

All sales are subject to the Standard Terms of Sale and Delivery for LINAK. For a copy hereof, please contact LINAK.