



Control Box CB8-A Data sheet

CB8-A

The CB8A is a battery powered control box operating up to 3 actuators individually. One of these channels can be used either as an external emergency stop device or for battery charging.

Simple design and high quality construction make the CB8A an ideal control box choice for mains-free operation of beds, chairs, tables and many other mobile applications.



Features and Options:

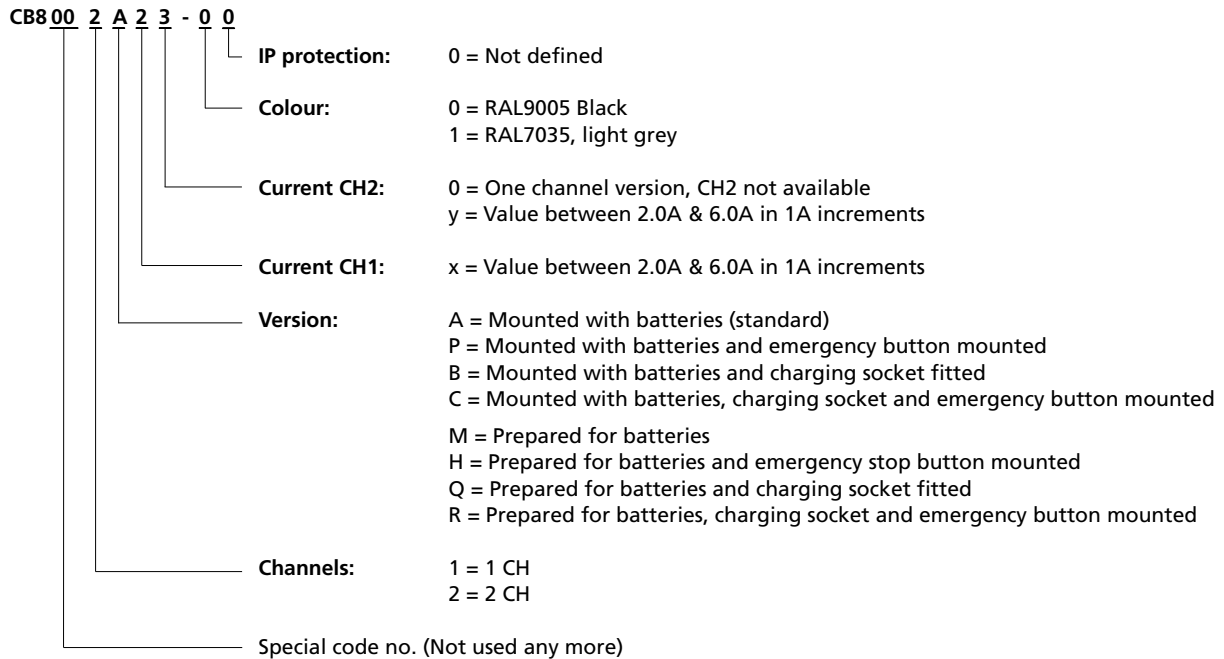
- Connection of up to 3 actuators
- Output voltage 24 V DC
- Colour: black
- High-capacity (2.9 Ah) batteries enable long period of operation between charges
- 8 Pin DIN-socket for handset
- Snap-fit top battery compartment for easy battery removal
- Recharging through external charger CH01 plugged into handset HB40A or directly into the CB8A
- Acoustic alarm sounds when batteries are low and recharging should be started.
The alarm level corresponds to approx. 17-18 VDC
- Extremely compact design
- Electronic overload protection (EOP) prevents overload of the actuator

Usage:

- Duty cycle: Max 10% or 2 min. in use followed by 18 min. not in use
- Ambient temperature +5° to +40° C
- Approvals: IEC60601-1:2005 3rd edition approved
ANSI/AAMI ES60601-1:2005 3rd edition approved

CB8-2A - for two channels

Ordering example:



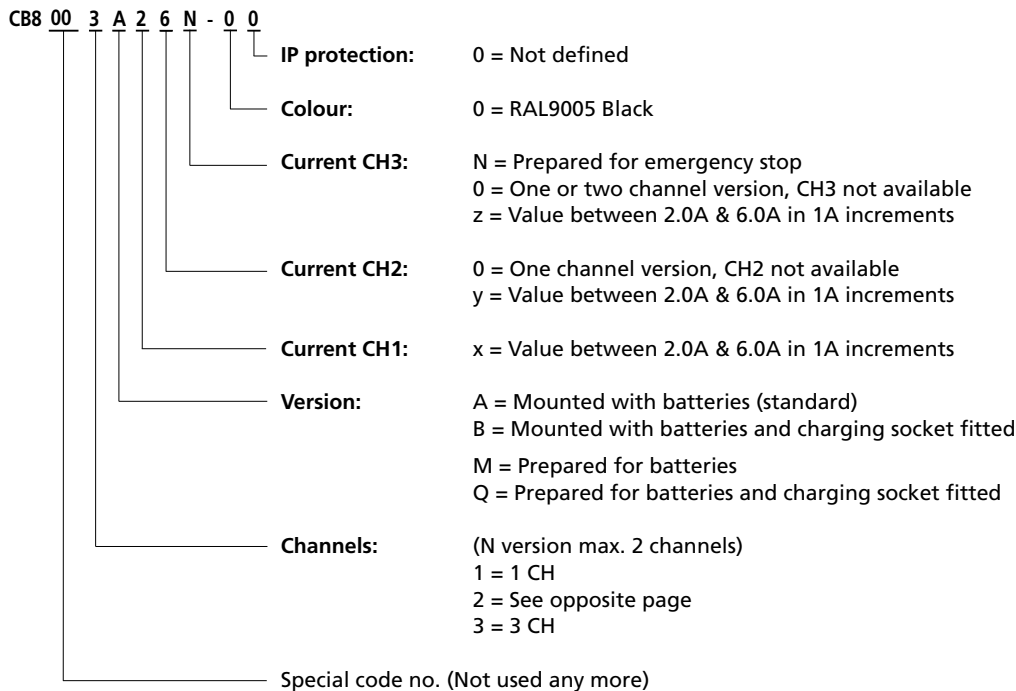
Max. connection of one 6 amp acutator to CB08002A.

Chargers to be ordered separately.

Battery kit (BA0801) has to be ordered separately for M, H, Q, R-versions

CB8-3A - for three channels

Ordering example:



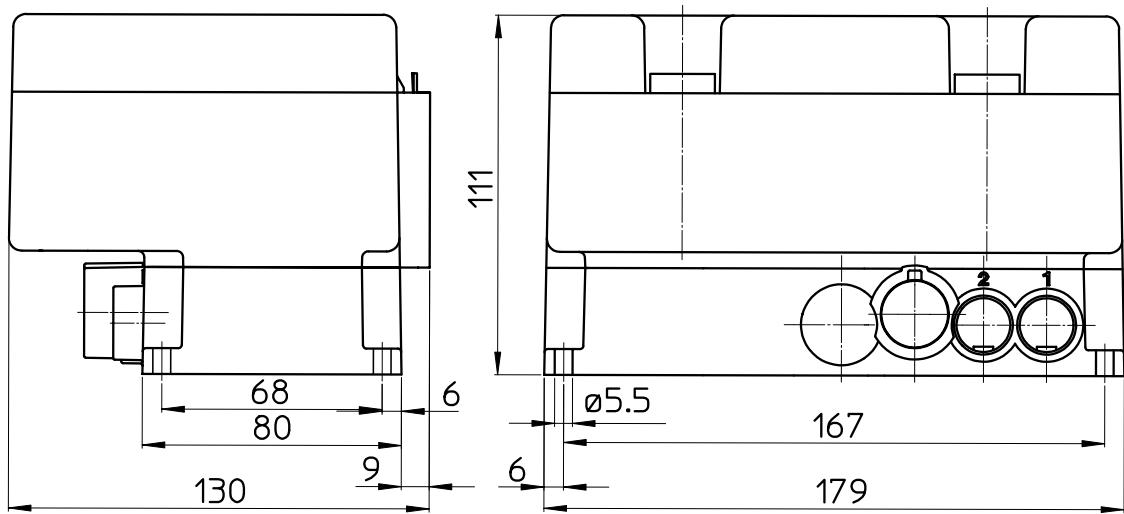
Max. connection of one 6 amp acutator to CB08003A.

Chargers to be ordered separately.

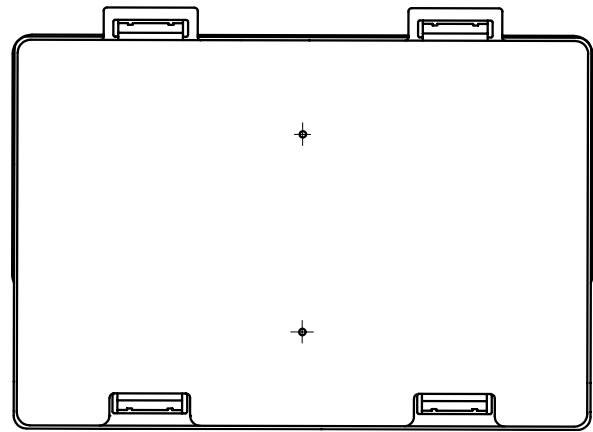
Battery kit to be ordered separately for M,Q-version.

Pls. note: It's only possible to charge CB0800xA, CB0800xM through HB4xA

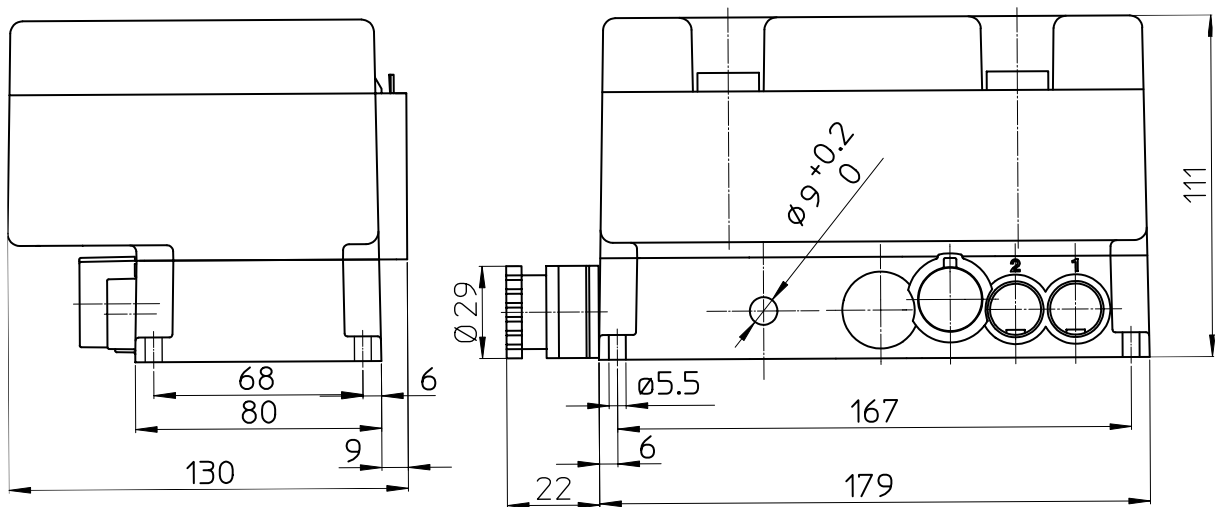
Dimensions CB8A with 2 channels:



CB8-2A

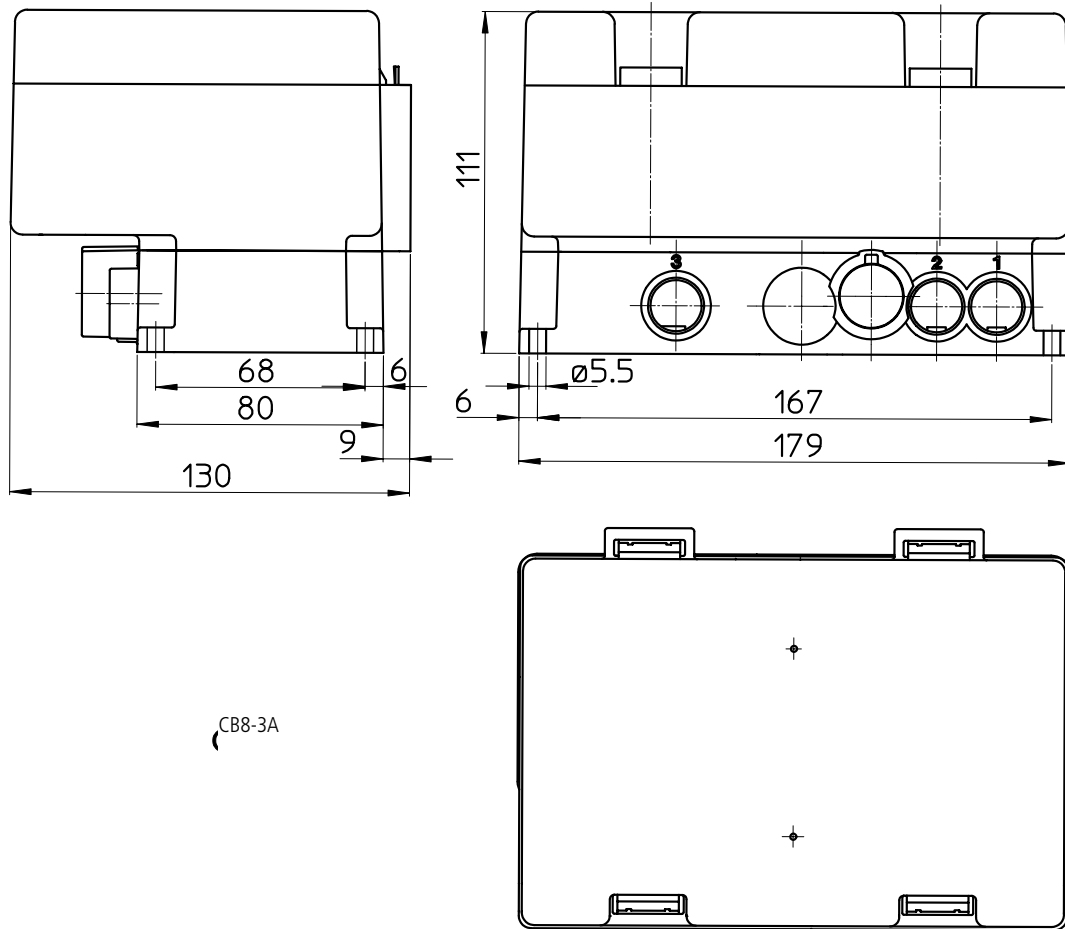


Dimensions CB8A with emergency stop button + charging connection:

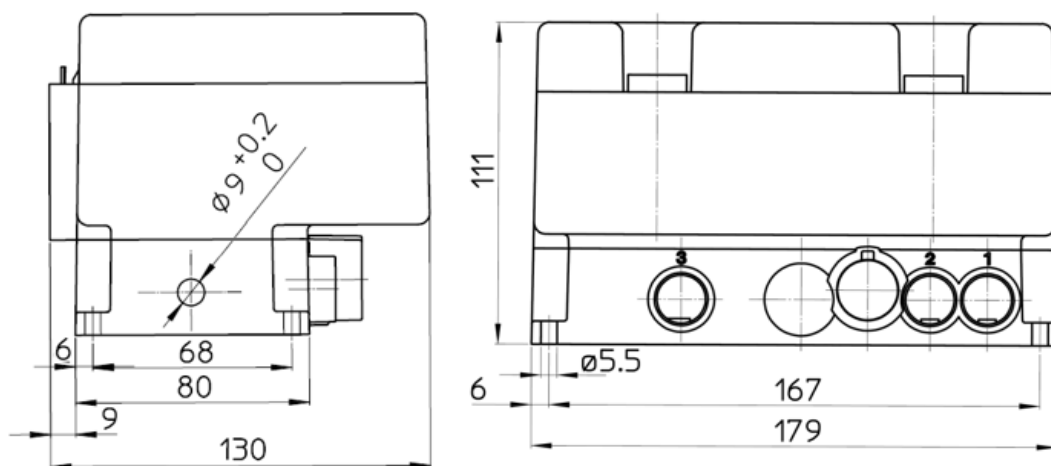


CB08P001A

Dimensions CB8A with 3 channels:



Dimensions CB8A + charging connection:



Terms of use

The user is responsible for determining the suitability of LINAK products for specific application. LINAK takes great care in providing accurate and up-to-date information on its products. However, due to continuous development in order to improve its products, LINAK products are subject to frequent modifications and changes without prior notice. Therefore, LINAK cannot guarantee the correct and actual status of said information on its products. While LINAK uses its best efforts to fulfill orders, LINAK cannot, for the same reasons as mentioned above, guarantee the availability of any particular product. Therefore, LINAK reserves the right to discontinue the sale of any product displayed on its website or listed in its catalogues or other written material drawn up by LINAK. All sales are subject to the Standard Terms of Sale and Delivery for LINAK. For a copy hereof, please contact LINAK.