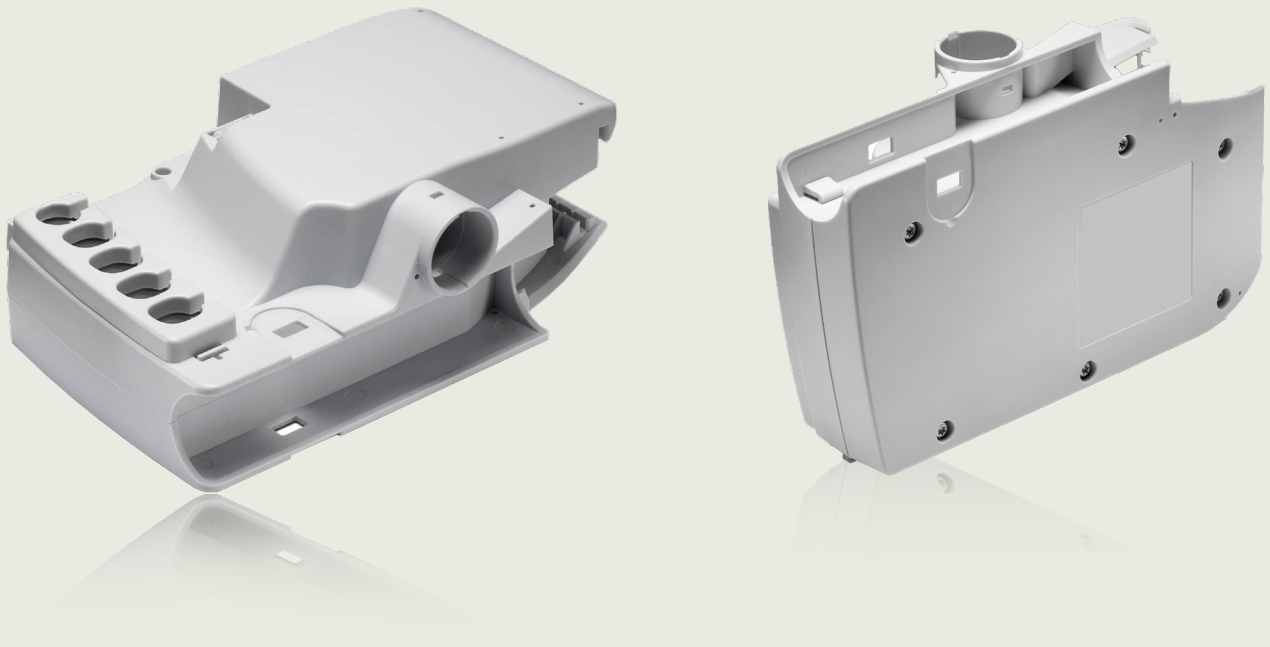


# Control Box CB6S MK2

## Data Sheet



---

## Contents

<b>Introduction.....</b>	<b>3</b>
<b>Features and options .....</b>	<b>4</b>
<b>Ordering example .....</b>	<b>6</b>
<b>System overview.....</b>	<b>7</b>
<b>Dimensions .....</b>	<b>8</b>
<b>Mounting.....</b>	<b>9</b>

## Introduction



The CB6S MK2 is part of the LINAK OpenBus™ product range that provides more flexible solutions no matter which actuator concept is preferred.

It is a powerful control box with Switch Mode Power Supply (SMPS) which is typically used for applications like hospital beds, couches/tables for treatment and examination and other medical applications.

The universal SMPS makes the control box adaptable to the worldwide market irrespective of the input voltage.

The CB6S MK2 comes with a built-in main power varistor that protects the control box in case of overvoltage which makes it an ideal choice for countries with voltage spikes, such as Brazil, India and Mexico.

Easy troubleshooting and the possibility for read-out of lifetime actuator information and battery state on a laptop via Service Data Tool (SDT).

With the CB6S MK2 you get more benefits such as:

- Universal SMPS covering from 100-240 VAC
- 200 W powerful SMPS with full software power management
- Exchangeable mains cables for worldwide compatibility
- Easy documentation of service visits with Service Data Tool (SDT)
- SMPS saves weight
- Varistor
- Easy software configuration in SoftCon2

## Features and options

Power supply:	SMPS Universal: 200 W, 100-240 VAC 50/60 Hz
Standby current consumption, SMPS:	Approx. 0.8 W (230 V)
Channels:	4
Varistor:	For input voltage protection
Colour:	Light grey (RAL7035)
Weight:	700 g
Battery charger:	Yes
Charging indicator:	Supported
Battery alarm:	Yes, at medium battery level (19.6 V)
EOP:	Implemented in standard software
Housing type:	V-0
IP rating:	IPX6
Operation:	Real parallel (feedback possible)
Max. current, total:	10 A (EOP supported)
μ-processor:	128 kB (supports more complex software, for instance true parallel operation, feedback is possible)
Management:	With full software power management
Speed control:	Possible with special software (common for all channels)
Start/stop:	Soft start/direct stop
Light background:	Background light in hand controls supported (Vpermanent)
Control concept:	Relays (fully software-controlled EAS protection)
Service monitor:	Yes, supported
External battery connection (BA18):	Capacity: 1.3 Ah, must be ordered separately
Accessories:	OpenBus™ accessories

## Usage

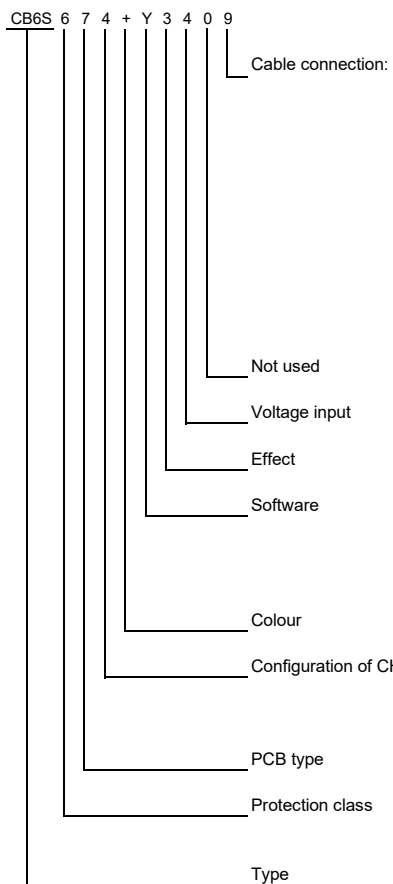
Operating temperature:	+5 °C to +40 °C
Storage temperature:	-10 °C to +50 °C
Relative humidity:	20% to 80% - non-condensing
Atmospheric pressure:	700 to 1060 hPa
Meters above sea level:	Max. 3000 meters

Mains supply grid should be limited to the highest prospective short circuit current of 1500 A.

Demands to mains supply safety for the application in accordance with IEC 60601-1 ed. 3.2, § 8.11.5

Approvals: IEC 60601-1  
ANSI/AAMI ES 60601-1  
CAN/CSA-C22.2 No. 60601-1, Australian, Canadian deviation

# Ordering example



Mains cable 2P:		Mains cable 3P with earth:	
0	Straight cable EU	A	Straight cable EU
1	Coiled cable EU	B	Coiled cable EU
2		C	
3	Straight cable UK	D	Straight cable UK
4	Straight cable JAPAN	E	
5	Straight cable UL	F	Straight cable UL
6		G	Straight cable CH
7	Straight cable AUS	H	Straight cable AUS
8		I	
9	Without cable	J	Without cable <b>See note 1</b>
		K	Coiled cable DK

4 => 100 to 240 V 50/60 Hz intern SMPS

3 => SMPS characteristic 200 W

T => Test software for entrance control

Y => Special software package

N => Standard software package with same function as Z-SW for OBF

M => Standard software package with same function as L-SW for OBMe

+ => Plastics RAL 7035 (light grey)

4 => CH 1->4

3 => CH 1, 2, 3

2 => CH 1, 2

7 => MK2 (OBMe) with external battery backup/internal SMPS

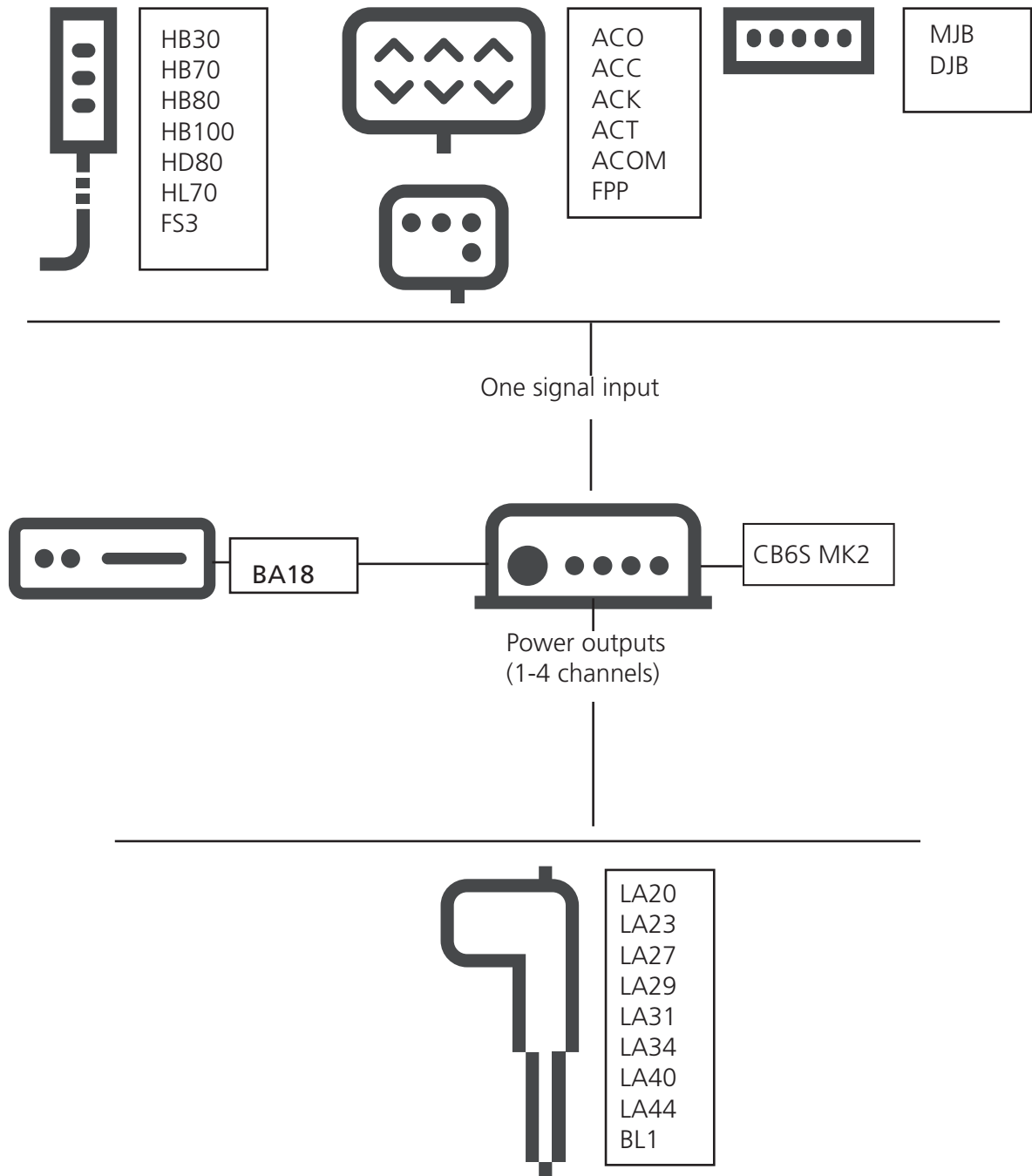
6 => IPx6

### Control box CB6S MK2

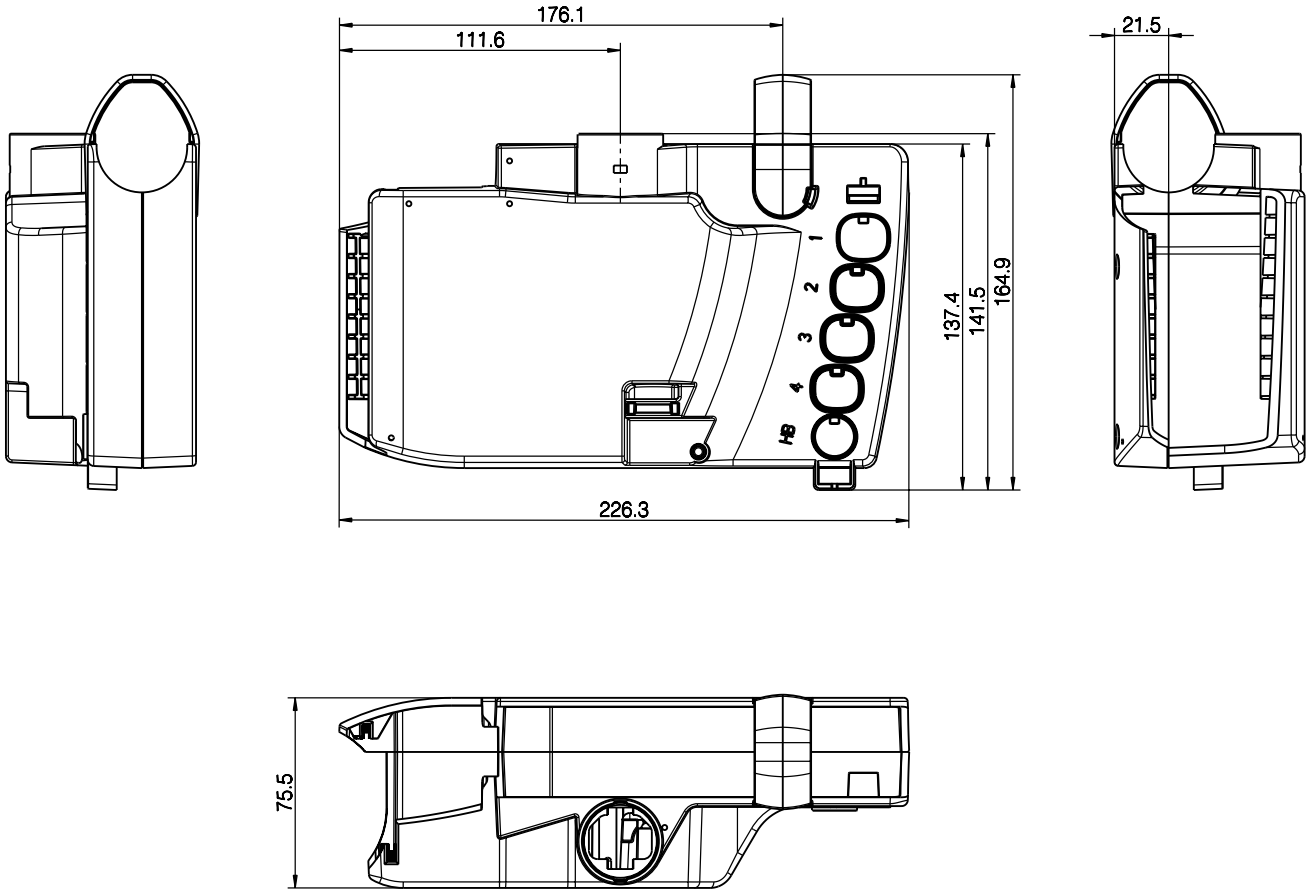
#### Notes

\*1 Class 1 (Earth connection outside the control box and 3-wire mains cable with pig-tail needed)

## System overview



# Dimensions



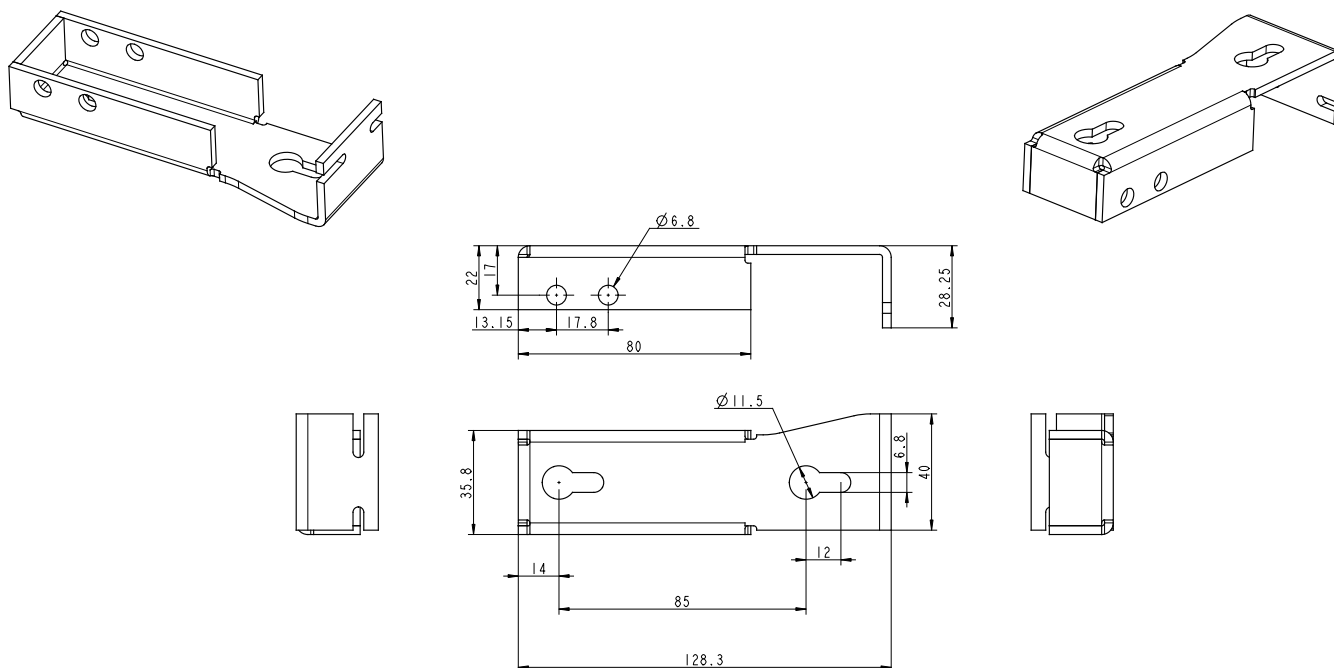
Drawing No.: 9279019



## Mounting

### Article no. 9271233 (galvanised) + 9271237 (iron oil)

Apart from LA27, it is not possible to mount CB6S MK2 onto LINAK actuators. In such case, you need a CB6 mounting bracket which can be welded or similar to the application. This bracket is shown below:



Drawing No.: 9271233

# Contacts

## FACTORIES

Denmark - Headquarters  
 LINAK A/S  
 Phone: +45 73 15 15 15  
 Fax: +45 74 45 80 48  
 Fax (Sales): +45 73 15 16 13  
 Web: www.linak.com

China  
 LINAK (Shenzhen) Actuator Systems, Ltd.  
 Phone: +86 755 8610 6656  
 Phone: +86 755 8610 6990  
 Web: www.linak.cn

Slovakia  
 LINAK Slovakia s.r.o.  
 Phone: +421 51 7563 444  
 Web: www.linak.sk

Thailand  
 LINAK APAC Ltd.  
 Phone: +66 33 265 400  
 Web: www.linak.com

USA  
 LINAK U.S. Inc.  
 Americas Headquarters  
 Phone: +1 502 253 5595  
 Fax: +1 502 253 5596  
 Web: www.linak-us.com  
 www.linak-latinamerica.com

## SUBSIDIARIES

Australia  
 LINAK Australia Pty. Ltd  
 Phone: +61 3 8796 9777  
 Fax: +61 3 8796 9778  
 E-mail: sales@linak.com.au  
 Web: www.linak.com.au

Austria  
 LINAK Zweigniederlassung - Österreich (Wien)  
 Phone: +43 (1) 890 7446  
 Fax: +43 (1) 890 744615  
 E-mail: info@linak.de  
 Web: www.linak.at - www.linak.hu

Belgium  
 LINAK Actuator-Systems NV/SA  
 (Belgium & Luxembourg)  
 Phone: +32 (0)9 230 01 09  
 E-mail: beinfo@linak.be  
 Web: www.linak.be - www.fr.linak.be

Brazil  
 LINAK Do Brasil Comércio De Atuadores Ltda.  
 Phone: +55 (11) 2832 7070  
 Fax: +55 (11) 2832 7060  
 E-mail: info@linak.com.br  
 Web: www.linak.com.br

Canada  
 LINAK Canada Inc.  
 Phone: +1 502 253 5595  
 Fax: +1 416 255 7720  
 E-mail: info@linak.ca  
 Web: www.linak-us.com

Czech Republic  
 LINAK C&S s.r.o.  
 Phone: +42 058 174 1814  
 Fax: +42 058 170 2452  
 E-mail: info@linak.cz  
 Web: www.linak.cz - www.linak.sk

Denmark - International  
 LINAK International  
 Phone: +45 73 15 15 15  
 E-mail: info@linak.com  
 Web: www.linak.com

Denmark - Sales  
 LINAK Danmark A/S  
 Phone: +45 86 80 36 11  
 Fax: +45 86 82 90 51  
 E-mail: linak@linak-silkeborg.dk  
 Web: www.linak.dk

Finland  
 LINAK OY  
 Phone: +358 10 841 8700  
 E-mail: linak@linak.fi  
 Web: www.linak.fi

France  
 LINAK France E.U.R.L  
 Phone: +33 (0) 2 41 36 34 34  
 Fax: +33 (0) 2 41 36 35 00  
 E-mail: linak@linak.fr  
 Web: www.linak.fr

Germany  
 LINAK GmbH  
 Phone: +49 6043 9655 0  
 Fax: +49 6043 9655 60  
 E-mail: info@linak.de  
 Web: www.linak.de

India  
 LINAK A/S India Liaison Office  
 Phone: +91 120 4531797  
 Fax: +91 120 4786428  
 E-mail: info@linak.in  
 Web: www.linak.in

Ireland  
 LINAK UK Limited (Ireland)  
 Phone: +44 (0)121 544 2211  
 Fax: +44 (0)121 544 2552  
 +44 (0)796 855 1606 (UK Mobile)  
 +35 387 634 6554 (Rep.of Ireland Mobile)  
 E-mail: sales@linak.co.uk  
 Web: www.linak.co.uk

Italy  
 LINAK ITALIA S.r.l.  
 Phone: +39 02 48 46 33 66  
 Fax: +39 02 48 46 82 52  
 E-mail: info@linak.it  
 Web: www.linak.it

Japan  
 LINAK K.K.  
 Phone: 81-45-533-0802  
 Fax: 81-45-533-0803  
 E-mail: linak@linak.jp  
 Web: www.linak.jp

Malaysia  
 LINAK Actuators Sdn. Bhd.  
 Phone: +60 4 210 6500  
 Fax: +60 4 226 8901  
 E-mail: info@linak-asia.com  
 Web: www.linak.my

Netherlands  
 LINAK Actuator-Systems B.V.  
 Phone: +31 76 5 42 44 40 /  
 +31 76 200 11 10  
 E-mail: info@linak.nl  
 Web: www.linak.nl

New Zealand  
 LINAK New Zealand Ltd  
 Phone: +64 9580 2071  
 Fax: +64 9580 2072  
 E-mail: nzsales@linak.com.au  
 Web: www.linak.com.au

Norway  
 LINAK Norge AS  
 Phone: +47 32 82 90 90  
 E-mail: info@linak.no  
 Web: www.linak.no

Poland  
 LINAK Polska  
 LINAK Danmark A/S (Spółka Akcyjna)  
 Phone: +48 22 295 09 70 /  
 +48 22 295 09 71  
 E-mail: info@linak.pl  
 Web: www.linak.pl

Republic of Korea  
 LINAK Korea Ltd.  
 Phone: +82 2 6231 1515  
 Fax: +82 2 6231 1516  
 E-mail: info@linak.kr  
 Web: www.linak.kr

Slovakia  
 LINAK Slovakia S.R.O.  
 Phone: +421 51 7563 444  
 Web: www.linak.sk

Spain  
 LINAK Actuadores, S.L.U  
 Phone: +34 93 588 27 77  
 Fax: +34 93 588 27 85  
 E-mail: esma@linak.es  
 Web: www.linak.es

Sweden  
 LINAK Scandinavia AB  
 Phone: +46 8 732 20 00  
 Fax: +46 8 732 20 50  
 E-mail: info@linak.se  
 Web: www.linak.se

Switzerland  
 LINAK AG  
 Phone: +41 43 388 31 88  
 Fax: +41 43 388 31 87  
 E-mail: info@linak.ch  
 Web: www.linak.ch - www.fr.linak.ch  
 www.it.linak.ch

Taiwan  
 LINAK (Shenzhen) Actuator systems Ltd.  
 Taiwan Representative office  
 Phone: +886 2 272 90068  
 Fax: +886 2 272 90096  
 E-mail: sales@linak.com.tw  
 Web: www.linak.com.tw

Turkey  
 LINAK İth. İhr. San. ve Tic. A.Ş.  
 Phone: +90 312 4726338  
 Fax: +90 312 4726635  
 E-mail: info@linak.com.tr  
 Web: www.linak.com.tr

United Kingdom  
 LINAK UK Limited  
 Phone: +44 (0)121 544 2211  
 Fax: +44 (0)121 544 2552  
 E-mail: sales@linak.co.uk  
 Web: www.linak.co.uk

## DISTRIBUTORS

Argentina  
 Novotec Argentina SRL  
 Phone: 011-4303-8989 / 8900  
 Fax: 011-4032-0184  
 E-mail: info@novotecargentina.com  
 Web: www.novotecargentina.com

Colombia  
 MEM Ltda  
 Phone: +[57] (1) 334-7666  
 Fax: +[57] (1) 282-1684  
 E-mail: servicioalcliente@memltda.com.co  
 Web: www.mem.net.co

India  
 Mechatronics Control Equipments India Pvt Ltd  
 Phone: +91-44-28558484, 85  
 E-mail: bala@mechatronicscontrol.com  
 Web: www.mechatronicscontrol.com

Indonesia  
 PT. Himalaya Everest Jaya  
 Phone: +6 221 544 8956 /+6 221 544 8965  
 Fax: +6 221 619 1925  
 Fax (Sales): +6 221 619 4658  
 E-mail: hejplastic-div@centrin.net.id  
 Web: www.hej.co.id

Israel  
 NetivTech LTD  
 Phone: +972 55-2266-535  
 Fax: +972 2-9900-560  
 Email: info@NetivTech.com  
 Web: www.netivtech.com

Singapore  
 Servo Dynamics Pte Ltd  
 Phone: +65 6844 0288  
 Fax: +65 6844 0070  
 E-mail: servodynamics@servo.com.sg

South Africa  
 Industrial Specialised Applications CC  
 Phone: +27 011 466 0346  
 E-mail: gartht@isagroup.co.za  
 Web: www.isaza.co.za

United Arab Emirates  
 Mechatronics  
 Phone: +971 4 267 4311  
 Fax: +971 4 267 4312  
 E-mail: mechtron@emirates.net.ae

## Terms of use

LINAK® takes great care in providing accurate and up-to-date information on its products. However, the user is responsible for determining the suitability of LINAK products for a specific application. Due to continual development, LINAK products are subject to frequent modifications and changes. LINAK reserves the rights to conduct modifications, updates, and changes without any prior notice. For the same reason, LINAK cannot guarantee the correctness and actual status of imprinted information on its products.

LINAK uses its best efforts to fulfil orders. However, for the reasons mentioned above, LINAK cannot guarantee availability of any particular product at any given time. LINAK reserves the right to discontinue the sale of any product displayed on its website or listed in its catalogues or in other written material created and produced by LINAK, LINAK subsidiaries, or LINAK affiliates. All sales are subject to the 'Standard Terms of Sale and Delivery for LINAK A/S' available on LINAK websites. LINAK and the LINAK logotype are registered trademarks of LINAK A/S. All rights reserved.