



Control Box CB6S - OpenBus™

Data sheet

CB6S - OpenBus™

CB6S is part of the LINAK OpenBus™ product range - that provides more flexible solutions no matter which actuator concept is preferred.

LA23, LA27C, LA31, LA34, LA40, LA43, LA44, BL1 with mini-fit plug and std. end-stop switch / signal switch are all compatible.



Features:

- Battery lock: A new improved lock introduced to fix the battery plug
- Channels: 4
- Colour: Light grey (RAL7035)
- Control concept: FET
- Charging indicator: Supported
- Duty cycle : 10% - 2/18 min. on/off continuous use
- EOP: Yes
- Housing type: V - 0
- IP Rating: IPX6
- Mains voltage: 230V, 120V
- Max. current, total: 8A total -w/EOP
- Max. current, per ch.: 8A / CH -w/EOP
- Operation: True parallel
- OpenBus accessories, current limit: Max. 200 mA (Vbus), must be ensured by the sales engineer
- Safety system: Controlled and monitored by Software
- Service monitor: Supported
- Software: Predefined - 1 standard package available; customised software available upon request
- Speed control: Support of speed control
- Start/Stop: Soft-start / Soft-stop
- Transformer: +35%

Options:

- External battery, connection (BA18):
Capacity: 1.2Ah - must be ordered separately
- Ambient temp. : +5° to +40°C
- Humidity: 20% - 90% @ 30°C- not condensing.

Usage:

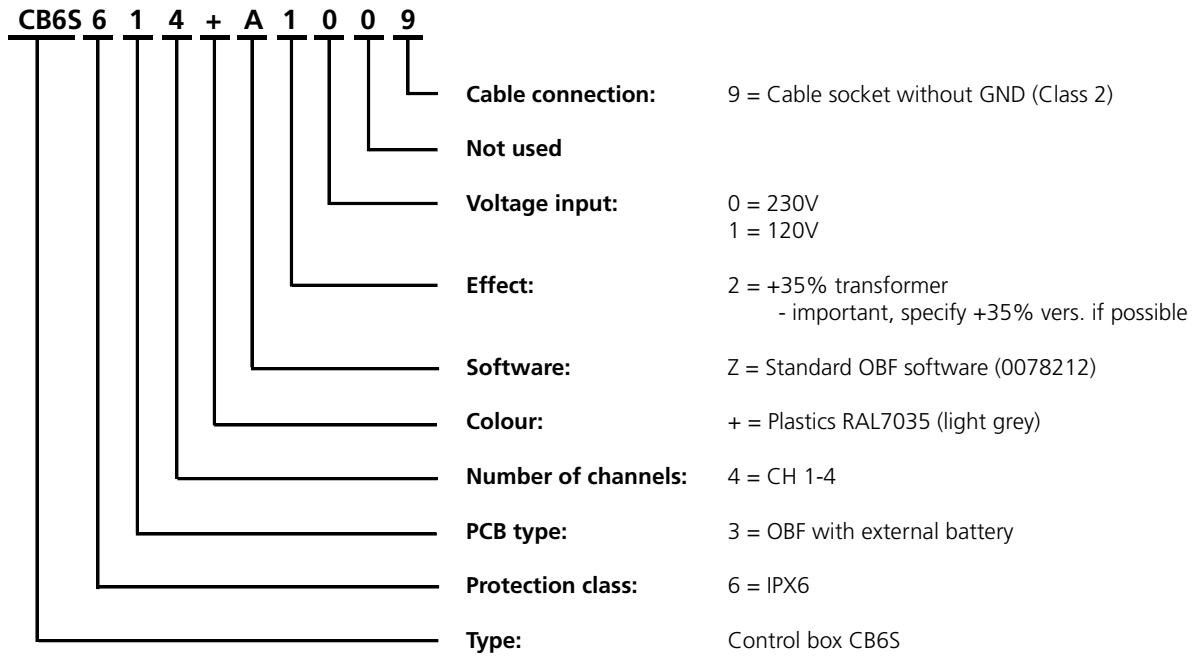
- Approvals: IEC 60601-1:2005, EN 60601-1:2006, ANSI/AAMI ES 60601-1:2005 + A2:2010, and CAN/CSA-C22.2 No. 60601-1:08

The OBF version supports:

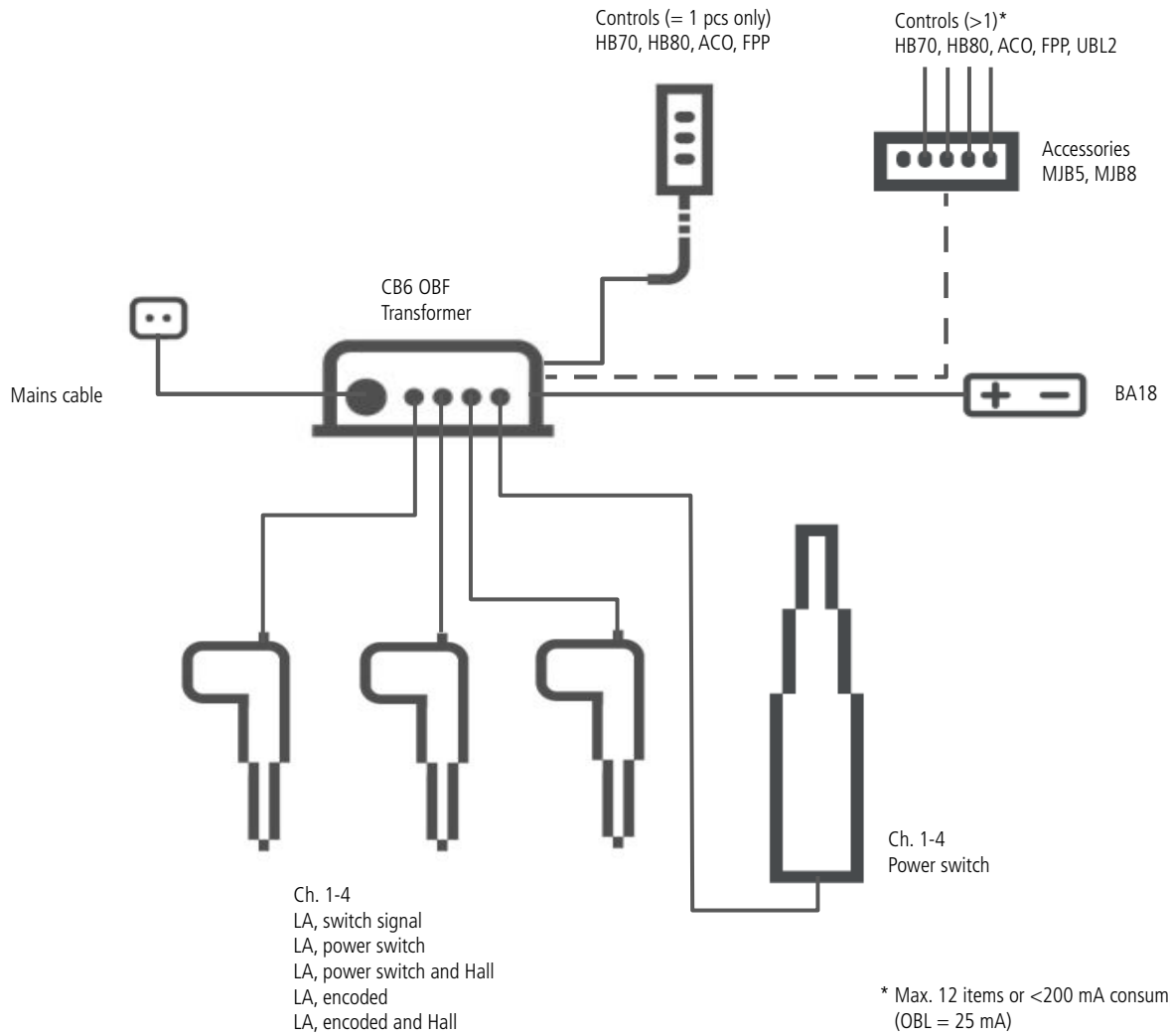
- Charging indicator (for indication of battery status)
- Service monitoring
- Feedback for positioning (parallel operation)
- More OpenBus™ accessories connected to one system

The OBF platform is available with 1 standard software package Z.

CB6S Ordering example:



CB6S platform



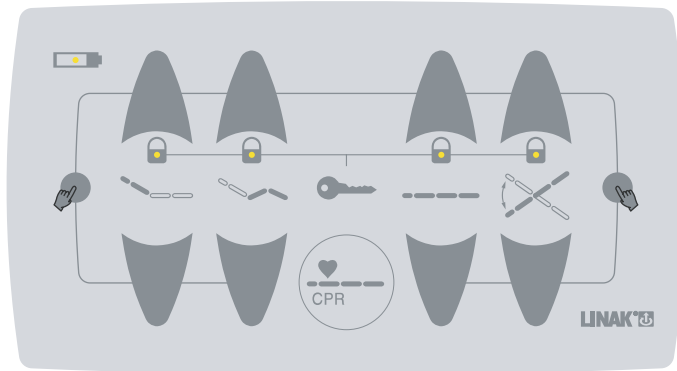
User Functionality, OBF

CB6 OBF is available as standard with software item 'Z'. This OBF software has software item no. = 0078212.

OBF - support of ACO (attendant control for nursing staff)

CB6 OBF also supports the ACO. However this set-up has more features which are:

- Locking of channels is improved to be locking of functions. It provides more possibilities for the user.
- The set-up also supports the CPR function. Therefore front covers incl. CPR can be used. E.g.:

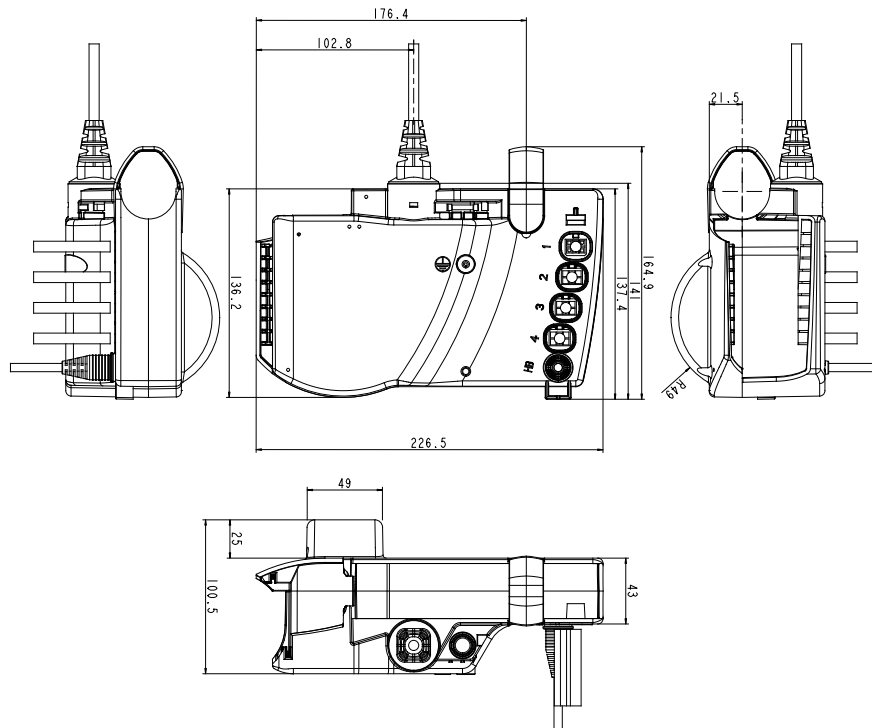


- The set-up also supports a charging indicator.

OBF - support of Under Bed Light (UBL)

UBL is also supported by CB6S OBF.

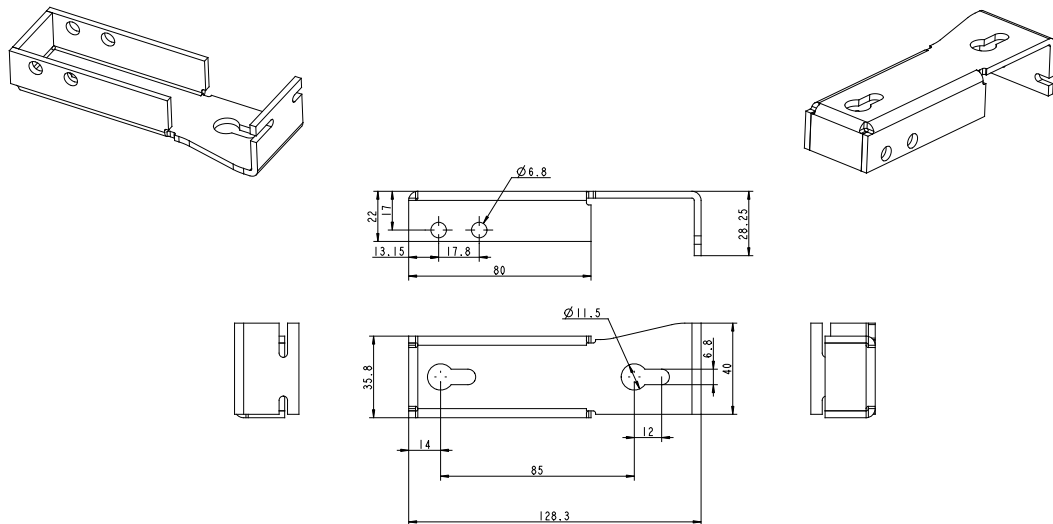
Dimensions:



Mounting of CB6S – article no. 9271233

Apart from LA27 and LA40, it is not possible to mount CB6S onto LINAK actuators. In such case you need a CB6 mounting bracket which can be welded or likewise to the application.

This bracket is shown below:



Terms of use

The user is responsible for determining the suitability of LINAK products for specific application. LINAK takes great care in providing accurate and up-to-date information on its products.

However, due to continuous development in order to improve its products, LINAK products are subject to frequent modifications and changes without prior notice. Therefore, LINAK cannot guarantee the correct and actual status of said information on its products.

While LINAK uses its best efforts to fulfill orders, LINAK cannot, for the same reasons as mentioned above, guarantee the availability of any particular product. Therefore, LINAK reserves the right to discontinue the sale of any product displayed on its website or listed in its catalogues or other written material drawn up by LINAK.

All sales are subject to the Standard Terms of Sale and Delivery for LINAK. For a copy hereof, please contact LINAK.