

Control Box CB6P2 Data sheet

CB6P2

The CB6P2 platform is introduced to obtain a powerful and optimised solution to customers looking for existing analogue input systems. It is based on OpenBus™ technology, but to meet existing analogue systems it has an analogue input similar to HB40 and therefore OpenBus™ accessories cannot be connected.

CB6P2 has a powerful 270W universal Switch Mode Power Supply (SMPS) to ensure maximum use of actuator capacity. The universal input voltage makes CB6P2 adaptable to the worldwide market irrespective of the input voltage. Exchangeable mains cables make it easy to exchange cables due to wear and tear and ensure a worldwide compatibility. CB6P2 is a very light solution compared to traditional transformer solutions and has a low standby power.

CB6P2 can handle fully parallel drives using actuators with hall-feedback.



Features and Options:

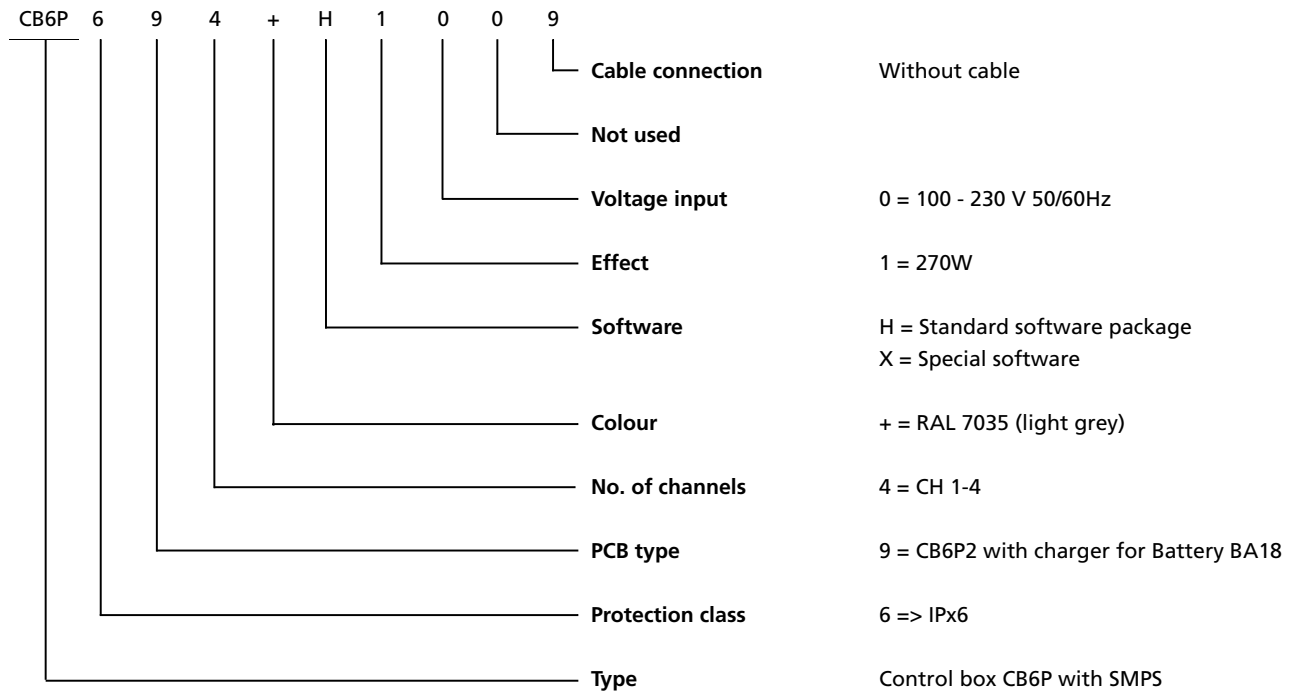
- Power supply: 270W SMPS (Switch Mode Power Supply), 100-240V 50/60Hz
- Main voltage: Universal; 100-240VAC 50/60Hz
- Weight: Low weight (SMPS) - 0.8 kg
- Standby consumption: Approx. 0.8W (230V)
- Channels: 4
- Colour: Light grey (RAL7035)
- DCG: Duty Cycle Guard
- Speed: High speed, depending on software configuration for SMPS (possible up to 300W)
- Battery charger: Yes
- Charging indicator: Supported
- Battery alarm: Yes, at low battery level (19V)
- Housing type: V-0
- IP rating: IPX6
- Operation: Fully parallel (feedback possible)
- Max. current: 8A/CH (peak) total
- Handset: Analogue HB40-like
- Speed control: Not as standard. Possible for special SW
- Start/stop: Soft start/direct stop

Usage:

- Duty cycle: 10% - 2/18 min. on/off continuous use.
- Compatibility: LA27, LA27 HALL, LA31, LA31 HALL, LA34, LA34 HALL, LA40, LA44, LA44 HALL, BL1, BL1 HALL
- Approvals: IEC 60601-1:2005, EN 60601-1:2006, ANSI/AAMI ES 60601-1:2005 + A2:2010, and CAN/CSA-C22.2 No. 60601-1:08

CB6P2

Ordering example:

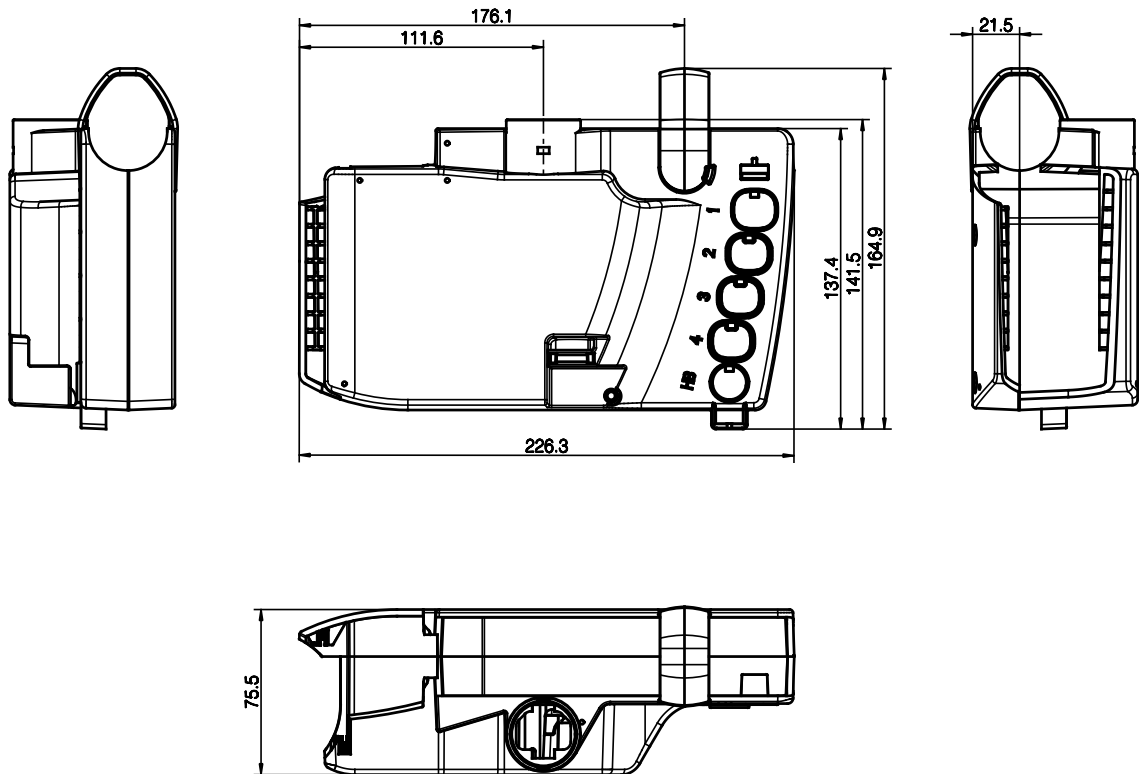


Notes

*1 Class 1 (Earth connection outside the control box and 3-wire mains cable with pig-tail needed)

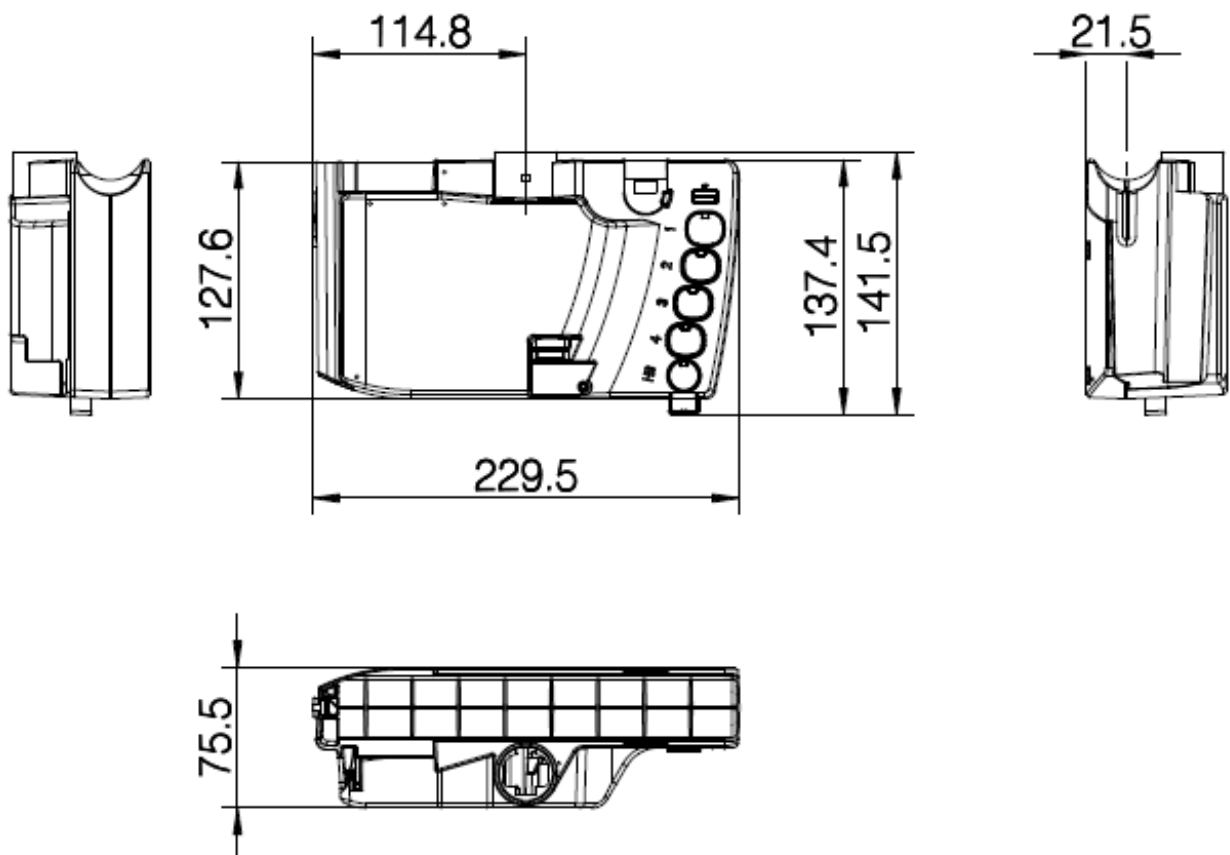
Dimensions

LA27 mounted on CB6P2



Drawing no.: 9279019

LA40 mounted on CB6P2

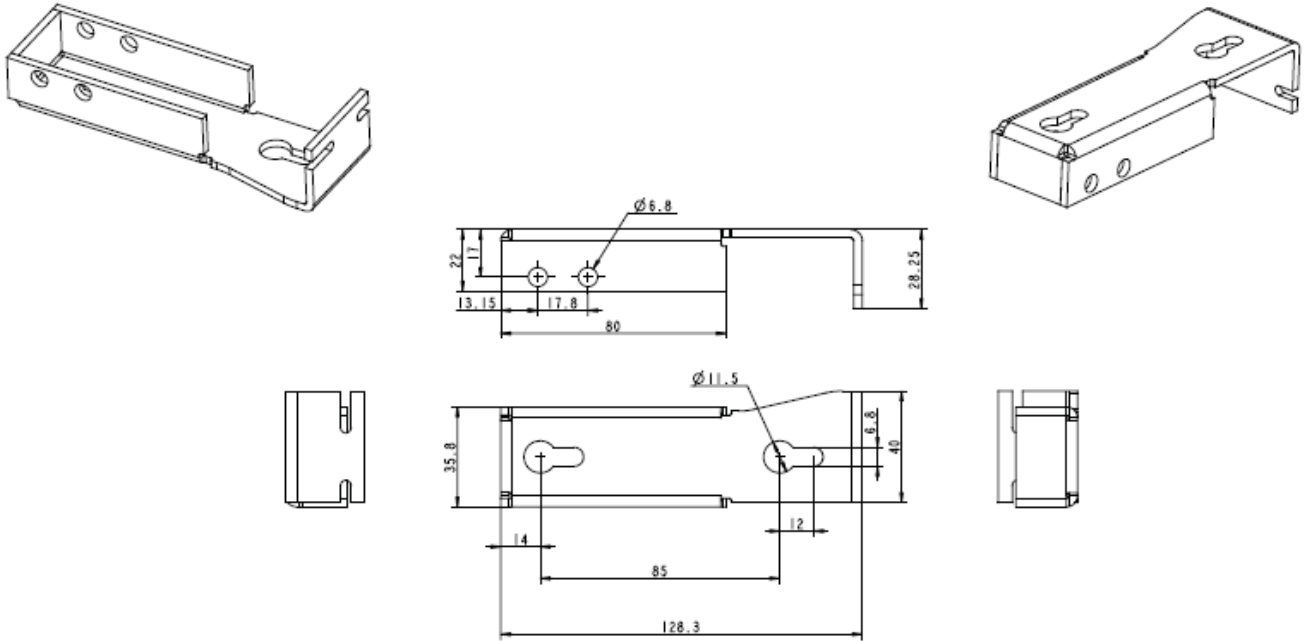


Drawing no.: 9279022

Mounting of CB6P2:

Due to the light weight of CB6P2 it can be mounted on an LA27 and LA40.

Apart from LA27 and LA40, it is not possible to mount CB6P2 onto LINAK actuators. In such cases, you need a CB6 mounting bracket which can be welded or likewise to the application. A drawing of the mounting bracket is shown below:



Article no. 9271233 with galvanized surface, not for welding.
Article no. 9271237 with oiled surface.

Terms of use

The user is responsible for determining the suitability of LINAK products for specific application. LINAK takes great care in providing accurate and up-to-date information on its products.

However, due to continuous development in order to improve its products, LINAK products are subject to frequent modifications and changes without prior notice. Therefore, LINAK cannot guarantee the correct and actual status of said information on its products.

While LINAK uses its best efforts to fulfill orders, LINAK cannot, for the same reasons as mentioned above, guarantee the availability of any particular product. Therefore, LINAK reserves the right to discontinue the sale of any product displayed on its website or listed in its catalogues or other written material drawn up by LINAK.

All sales are subject to the Standard Terms of Sale and Delivery for LINAK. For a copy hereof, please contact LINAK.