



# Control box CB60BMe

## Data sheet

# CB60BMe

The CB60BMe is part of the LINAK OpenBus™ product range - that provides more flexible solutions no matter which actuator concept is preferred.

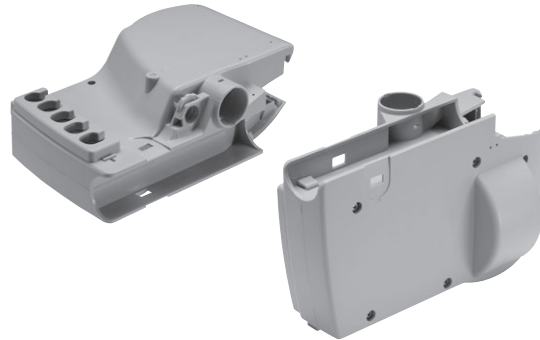
It is a powerful control box with Switch Mode Power Supply or traditional transformer solution which is typically used for applications like hospital beds, couches/tables for treatment and examination and other medical applications. The universal Switch Mode Power Supply makes the control box adaptable to the worldwide market irrespective of the input voltage.

Easy trouble shooting and the possibility for read-out of lifetime actuator information and battery state on a laptop via Service Data Tool.

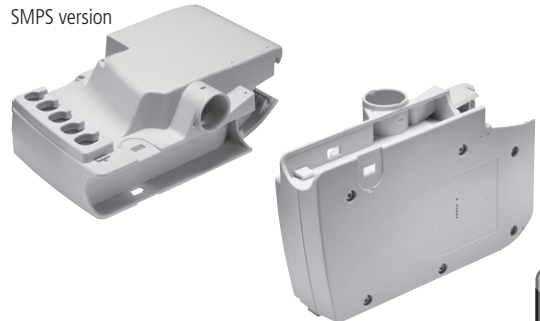
With the CB60BMe you get more benefits such as:

- Universal Switch Mode Power Supply covering from 100-240 VAC
- 270W powerful SMPS enabling maximum use of actuator capacity
- Exchangeable mains cables for worldwide compatibility
- Easy documentation of service visits with Service Data Tool
- SMPS saves weight

Transformer version



SMPS version



## Features and Options:

- Power supply:
  - SMPS Universal: 270W, 100-240VAC 50/60Hz
  - Transformer toroidal: 270W, 230VAC 50/60Hz, 120VAC 60Hz,
- Standby current consumption, SMPS:
  - Approx. 0.8W (230V)
- Standby current consumption, transformer:
  - Approx. 2.5W (230V)
- Channels: 4
- Colour: Light grey (RAL7035)
- DCG: Duty Cycle Guard (on SMPS version)
- Weight: Transformer version = 1700 g
  - SMPS version = 850 g
- Speed: SMPS: higher average speed compared to a transformer
- Battery charger: Yes
- Charging indicator: Supported
- Battery alarm: Yes, at medium battery level (17.5-20 V)
- Housing type: V-0
- IP rating: IPX6

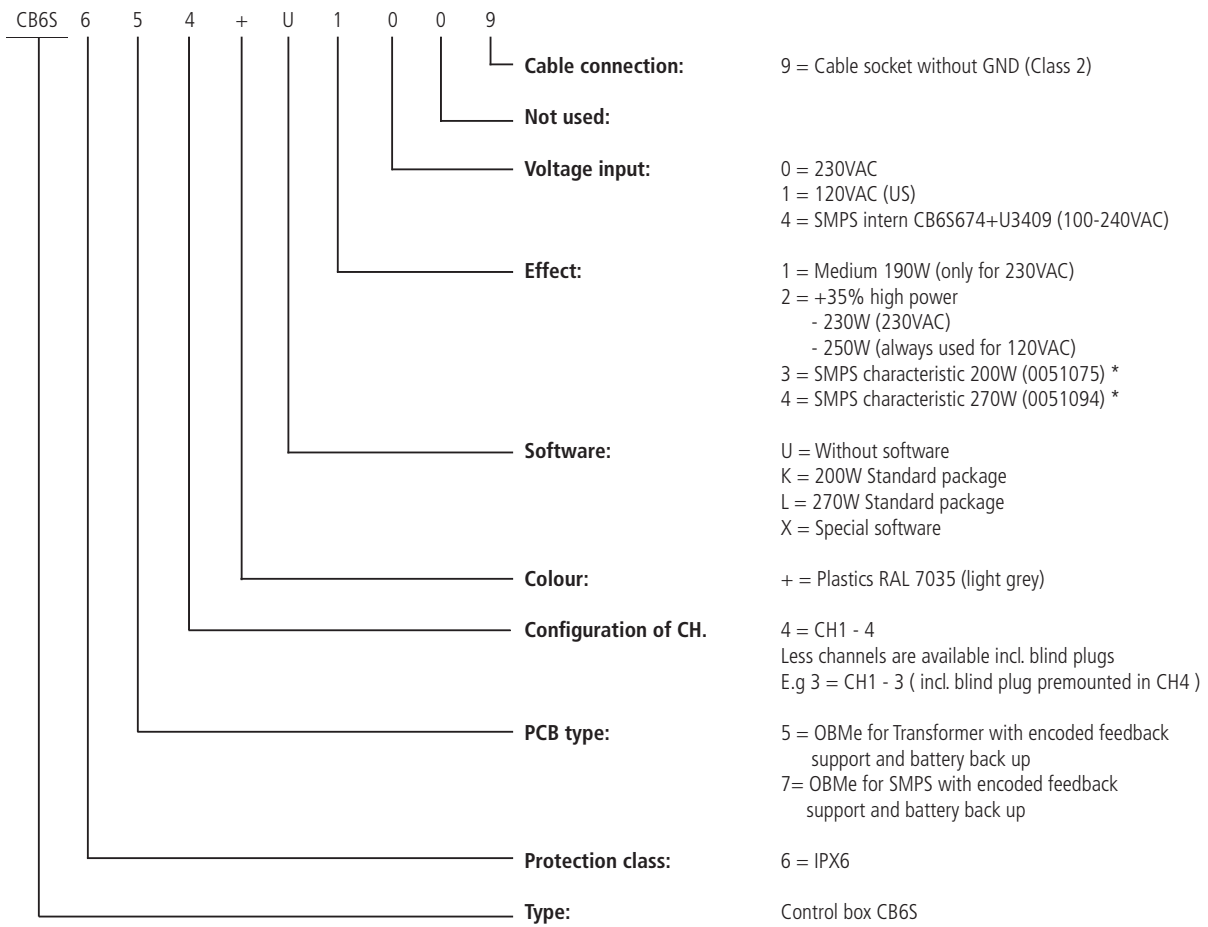
- Operation: Semi-parallel (feedback possible)
- Max. Current, per ch. 10A / CH (Peak) @ single ch. running (not covered by test house approval)
- Accessories: OpenBus™ accessories
- Software: SW package K+L available.
  - In most situations, software becomes special since specification depends on the choice of actuator.
- Speed control: Not as standard. Possible for special SW (common for all channels).
- Start/stop: Soft start/direct stop
- Service monitor: Yes, supported

## Usage:

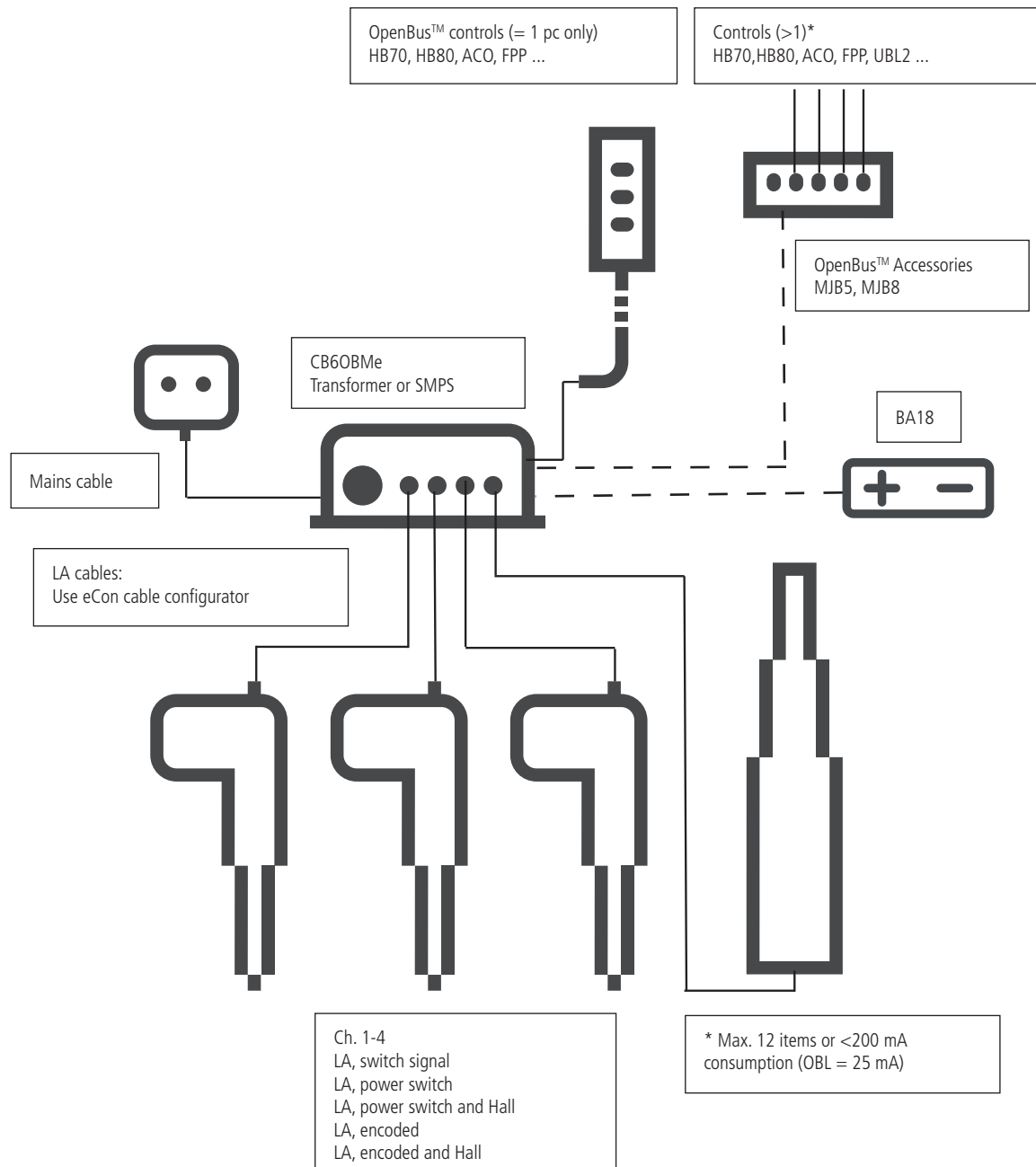
- Approvals: IEC 60601-1
  - ANSI/AAMI ES 60601-1 and CAN/CSA-C22.2 No. 60601-1
- Duty cycle: 10% -2 min / 18 min

## CB6OBMe

### Ordering example:



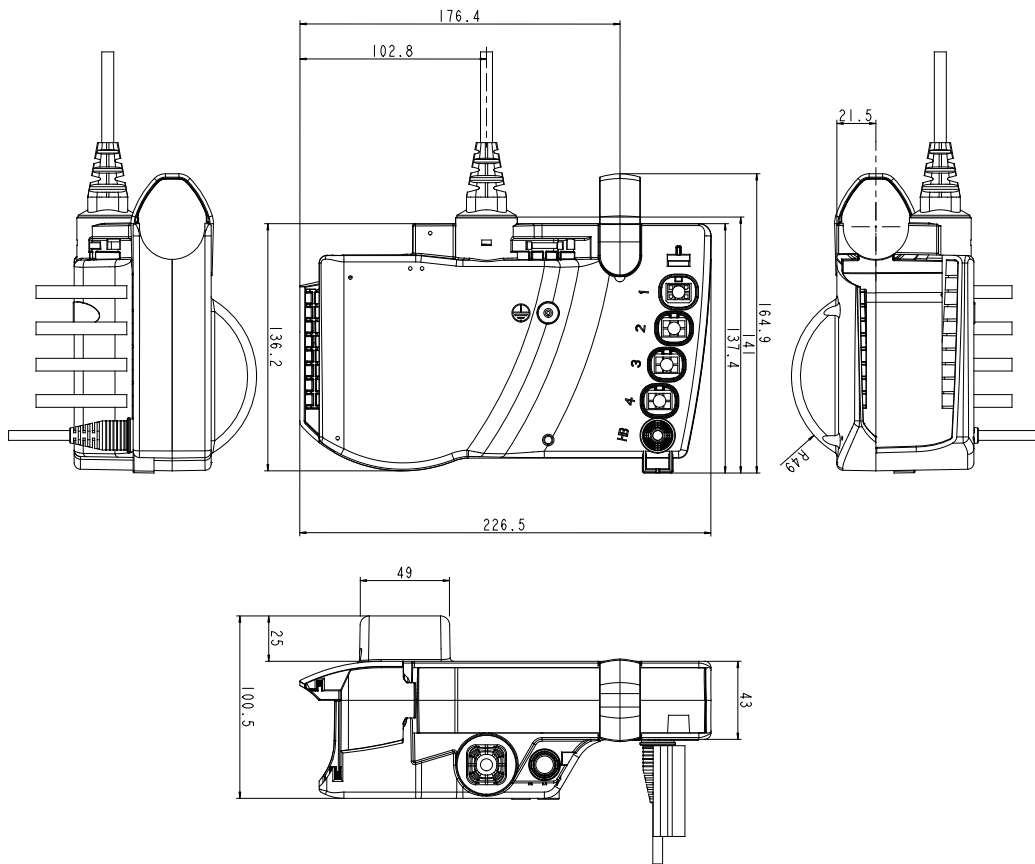
**CB6OBMe System Overview:**



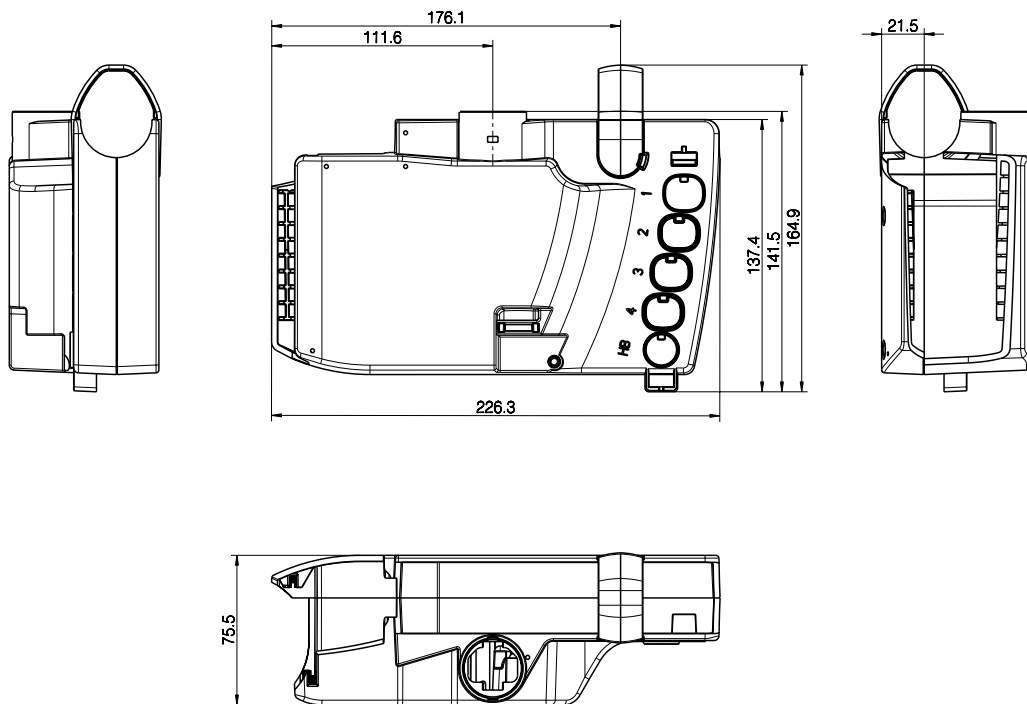
**CB6OBMe – with SMPS:**

OBMe with SMPS comes in a new housing – without the “bulge” (for the transformer) on the bottom part. (See ‘Dimensions’ on later page). This new design has no LED incorporated!

**Dimensions with transformer**



**Dimensions SMPS version**

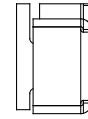
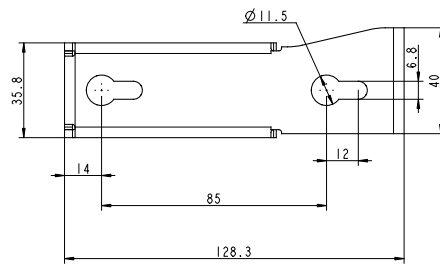
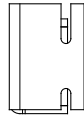
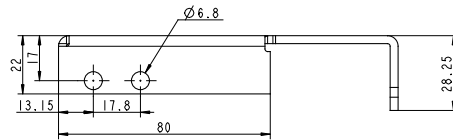
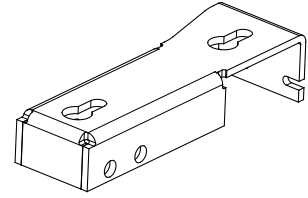
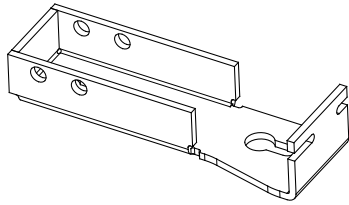


Mounting of CB6OBMe – article no. 9271233 + 9271237

Apart from LA27, it is not possible to mount CB6OBMe onto LINAK actuators.

In such case you need a CB6 mounting bracket which can be welded or likewise to the application.

This bracket is shown below:





---

**Terms of use**

The user is responsible for determining the suitability of LINAK products for specific application. LINAK takes great care in providing accurate and up-to-date information on its products.

However, due to continuous development in order to improve its products, LINAK products are subject to frequent modifications and changes without prior notice. Therefore, LINAK cannot guarantee the correct and actual status of said information on its products.

While LINAK uses its best efforts to fulfill orders, LINAK cannot, for the same reasons as mentioned above, guarantee the availability of any particular product. Therefore, LINAK reserves the right to discontinue the sale of any product displayed on its website or listed in its catalogues or other written material drawn up by LINAK.

All sales are subject to the Standard Terms of Sale and Delivery for LINAK. For a copy hereof, please contact LINAK.