

# Control Box CB6

## Data Sheet



---

## Contents

Introduction.....	3
Features and options .....	3
Usage .....	3
Ordering Example .....	4
System overview.....	5
Channel explanation.....	7
Dimensions .....	8
Dimensions LA27 with CB6 .....	9

## Introduction



The control box CB6 has been specially developed for use together with LA27/LA40 in the care and rehab industry. The control box is designed to be mounted on the actuator LA27/LA40 as with the CB9 and the LA31 system. The control box CB6 has a LED power ON indicator, detachable mains cable and strain relief for all cables.

The control box CB6 communicates with the LA27/LA40 by means of the built-in end stop signal switches in the actuator. Due to the signal switches the power to the motor will be cut off in the control box and not in the actuator.

LINAK recommends to use CA30 and CA40 for new projects.

## Features and options

- Connection of up to 4 actuators (LA27/LA40)
- Extremely compact design
- Mains voltage: 100/120/230V AC 50-60 Hz
- Standby consumption 7W.
- Output voltage 24V DC
- Ambient temperature: + 10o to + 40o C.
- Protection Class: IPX4, IPX6
- Colour: Dark grey (RAL 7016)
- Modular socket for handsets HB30 / HB70 / HL70 and HB80 / HL80
- 3.2m straight mains cable
- Locking mechanism for cables
- Class 2 protection



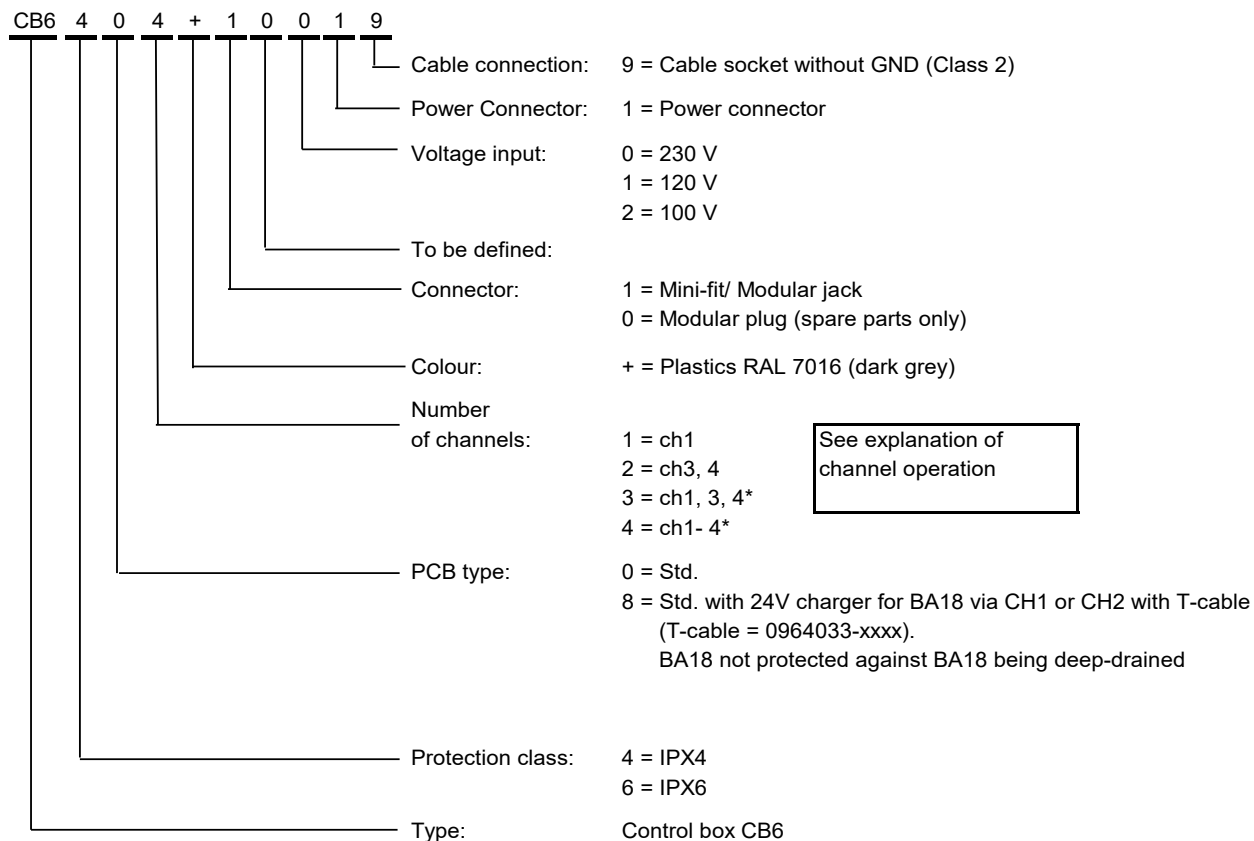
### Information

- Can be mounted on the LA27 by using the special mounting bracket article no. 009271002-A
- Can be mounted on the LA40 by using the special mounting bracket article no. 0401080 and mounting clip article no. 0401017-A

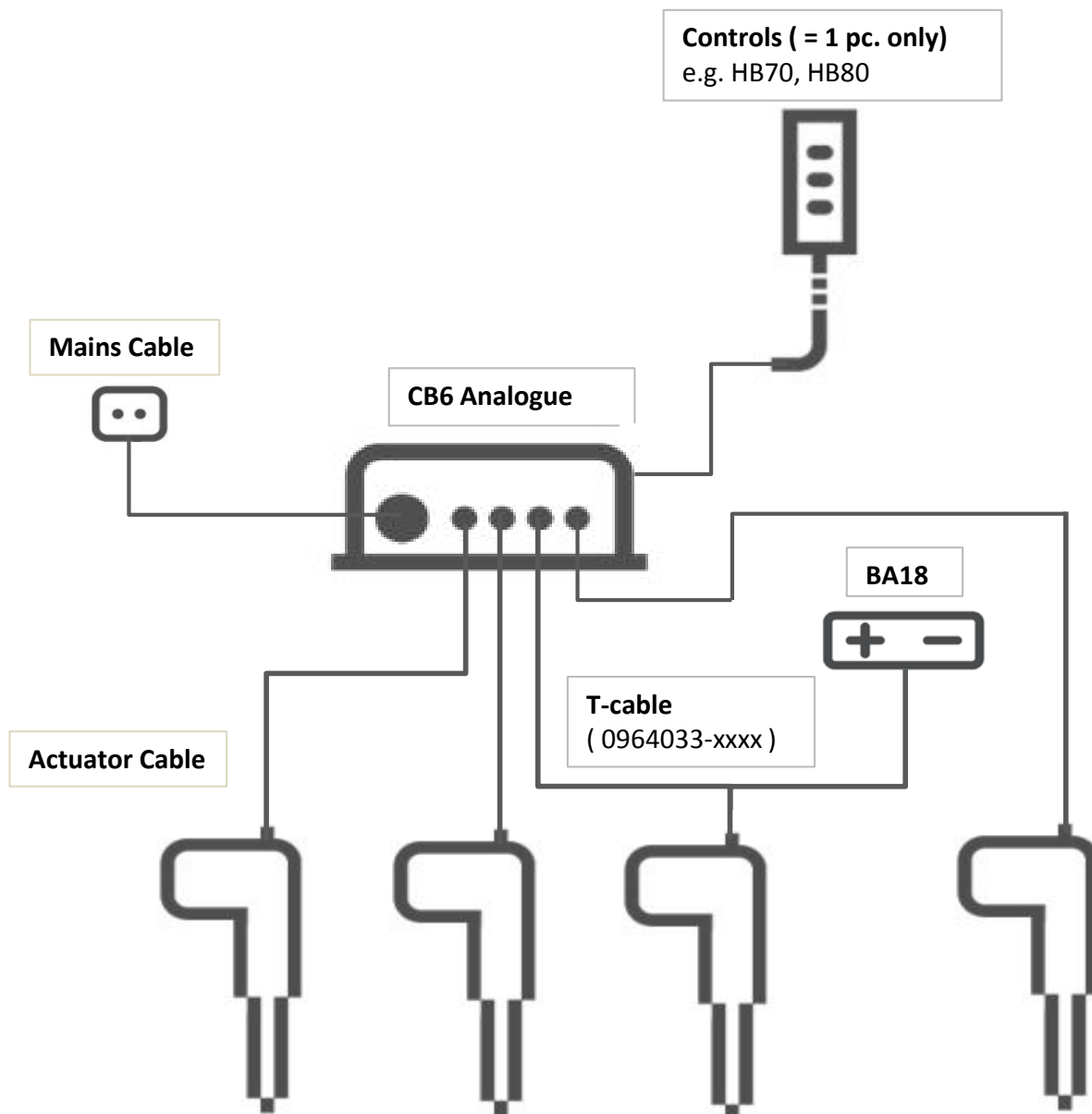
## Usage

- Duty cycle: 2/18; 2 minutes continuous use followed by 18 minutes not in use
- CB6 is approved according to EN60601-1/UL60601-1
- The CB6 can only be combined with LA27/LA40 and HB30/HB70/HL70/HB80 and HL80.
- Mains supply grid should be limited to the highest prospective short circuit current of 35 A. Demands to mains supply safety for the application in accordance with IEC 60601-1 ed. 3.2, § 8.11.5

## Ordering Example



## System overview





## Information

Mounting of CB on actuators / Mounting of CB separately / Blind plugs / Mains cables / Order volume

a) It is possible to mount either LA27 or LA40 onto CB6:

Mounting of LA27 to CB6:

A mounting clip is included in the BOM of CB6 = item No. 009271002-A. The clip is used to fix LA27 onto CB6 and is included in the CB6 package of each CB6 delivery. This item no. can also be ordered separately as a spare part.

Mounting of LA40 to CB6:

For mounting LA40 onto CB6, 2 external parts are needed – a mounting clip 0401017-A and an adapter 0401080-A. These are NOT included in the BOM of CB6. These item Nos. can be ordered as a kit including both 0401017 + 0401080.

The item No. of the kit is: 40KIT-001.

b) When CB6 is to be mounted without being mounted to an actuator, a mounting bracket can be used. The bracket is available in the following versions: chromatised = item No. 9271233 or not chromatised = item No. 9271237.

c) It is possible to order blind plugs (500 per bag) for the actuator connections.

The item No. is 009271027.

d) Mains cables must be ordered separately.

## Channel explanation

For PCB type "0"

When actuator X reaches the end-stop, then actuator Y can also be affected.		
CB Type (number of channels)	Actuator X (channel in use)	Actuator(s) Y (influence on other actuators)
1	1	-
2	3	no influence
	4	no influence
3	1	3, 4 (also stop)
	3	no influence
	4	no influence
4	1	2, 3, 4 (also stop)
	2	1, 3, 4 (also stop)
	3	no influence
	4	no influence

\* PCB type 8 no influence on end-stop (Individual)

### How to read the table

The 4 type ( CB6404+10019) has 4 channels.

If the actuators in either channel 1 or 2 reach an end stop position and stop, then all other actuators will stop at the same time.

If actuators running in channels 3 or 4 reach the end stop position it will not influence any of the other actuators.

### Example with CB6403+10019:

- If channels 1 and 3 run together and channel 3 reaches the end stop then the actuator in channel 1 will continue running.
- If channels 1 and 3 run together and channel 1 reaches the end stop, then the actuator in channel 3 will also stop.

When channel 1 has stopped it is possible to start up channel 3 again (if it is not in end stop ).

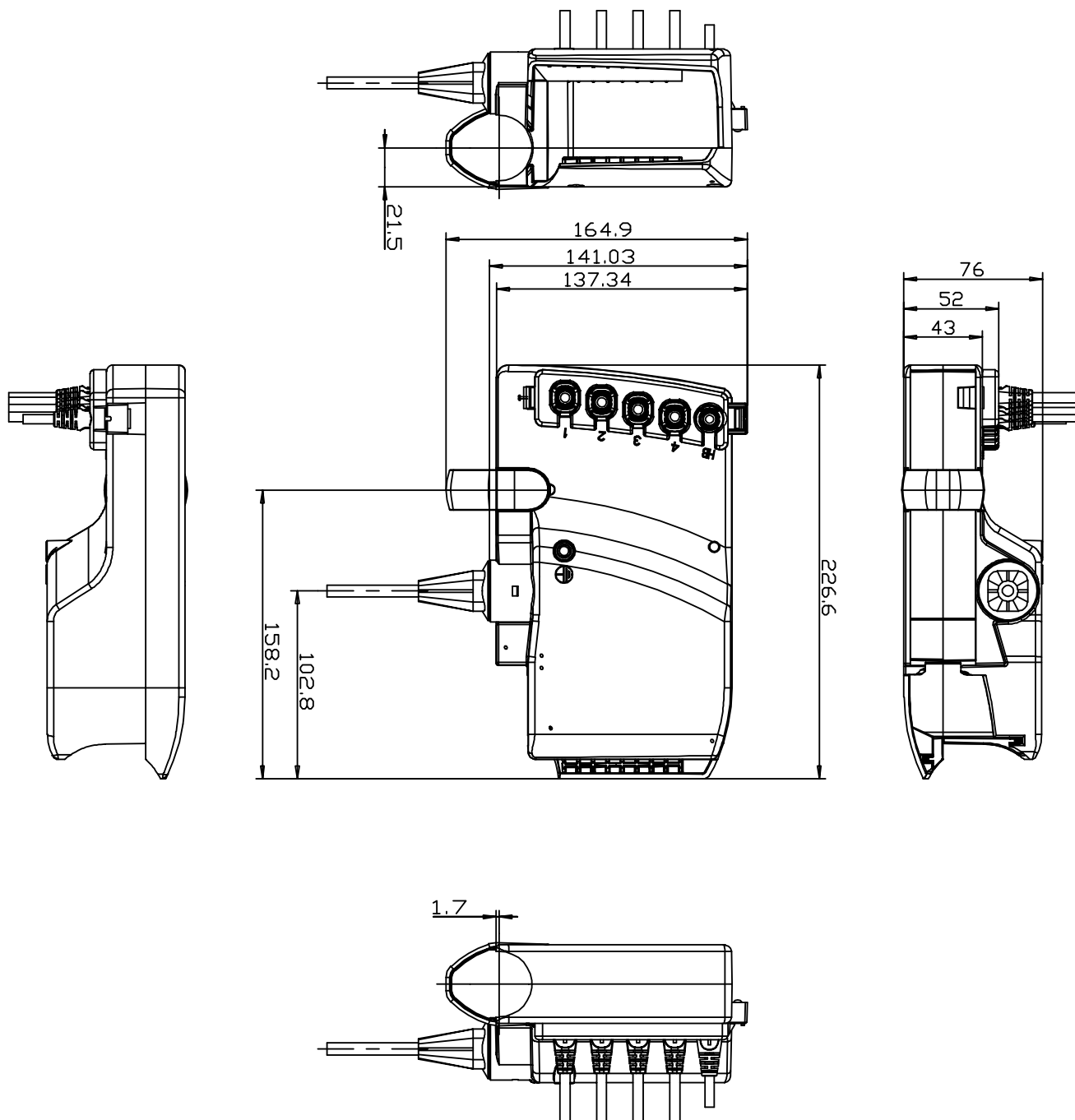


### Information

For CB6 the current will be cut off when the total current on all channels reaches approx. 5.1 to 5.4 Amp.

This means that when two LA27/LA40, running simultaneously, are connected to a CB6 they will not be able to lift the max. load mentioned under technical specifications (LA27/LA40).

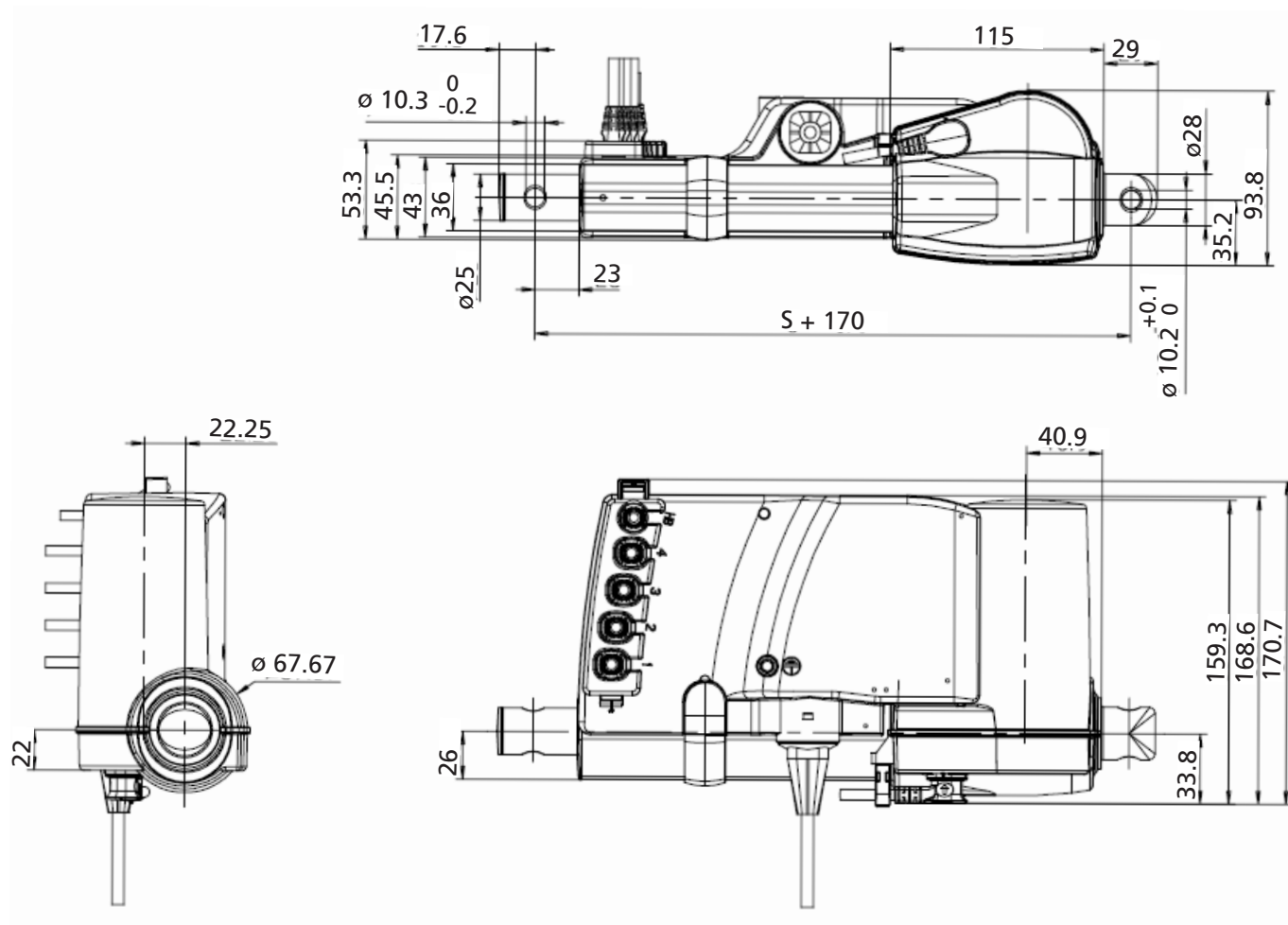
# Dimensions



Drawing no.: CB06001B



### Dimensions LA27 with CB6



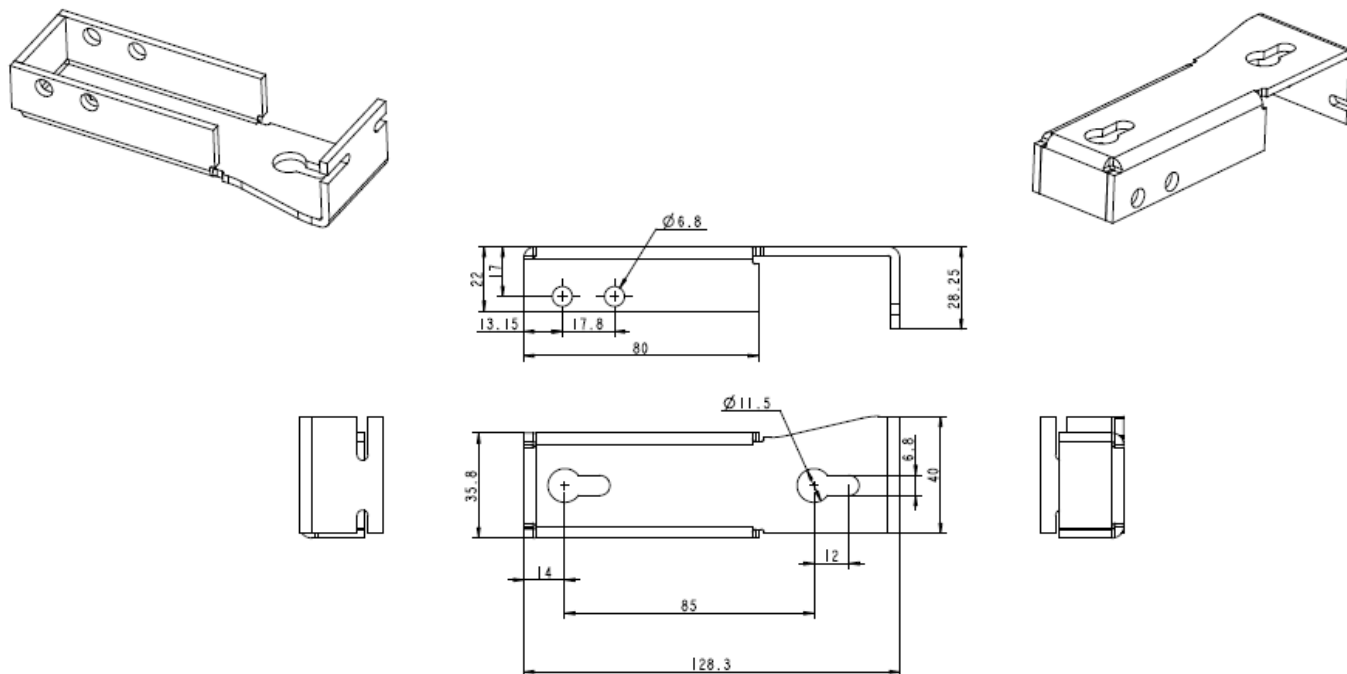
Drawing no.: CB6\_LA27001B

When CB6 is to be mounted without being mounted to an actuator, a mounting bracket can be used. The bracket is available in the following versions:

chromatised = item No. 9271233 or not chromatised = item No. 9271237.

Apart from LA27/LA40, it is not possible to mount CB6 onto LINAK actuators. In this case you need a CB6 mounting bracket which can be welded or likewise to the application.

This bracket is shown below:



# Contacts

## FACTORIES

Denmark - Headquarters  
 LINAK A/S  
 Phone: +45 73 15 15 15  
 Fax: +45 74 45 80 48  
 Fax (Sales): +45 73 15 16 13  
 Web: www.linak.com

China  
 LINAK (Shenzhen) Actuator Systems, Ltd.  
 Phone: +86 755 8610 6656  
 Phone: +86 755 8610 6990  
 Web: www.linak.cn

Slovakia  
 LINAK Slovakia s.r.o.  
 Phone: +421 51 7563 444  
 Web: www.linak.sk

Thailand  
 LINAK APAC Ltd.  
 Phone: +66 33 265 400  
 Web: www.linak.com

USA  
 LINAK U.S. Inc.  
 Americas Headquarters  
 Phone: +1 502 253 5595  
 Fax: +1 502 253 5596  
 Web: www.linak-us.com  
 www.linak-latinamerica.com

## SUBSIDIARIES

Australia  
 LINAK Australia Pty. Ltd  
 Phone: +61 3 8796 9777  
 Fax: +61 3 8796 9778  
 E-mail: sales@linak.com.au  
 Web: www.linak.com.au

Austria  
 LINAK Zweigniederlassung - Österreich (Wien)  
 Phone: +43 (1) 890 7446  
 Fax: +43 (1) 890 744615  
 E-mail: info@linak.de  
 Web: www.linak.at - www.linak.hu

Belgium  
 LINAK Actuator-Systems NV/SA  
 (Belgium & Luxembourg)  
 Phone: +32 (0)9 230 01 09  
 E-mail: beinfo@linak.be  
 Web: www.linak.be - www.fr.linak.be

Brazil  
 LINAK Do Brasil Comércio De Atuadores Ltda.  
 Phone: +55 (11) 2832 7070  
 Fax: +55 (11) 2832 7060  
 E-mail: info@linak.com.br  
 Web: www.linak.com.br

Canada  
 LINAK Canada Inc.  
 Phone: +1 502 253 5595  
 Fax: +1 416 255 7720  
 E-mail: info@linak.ca  
 Web: www.linak-us.com

Czech Republic  
 LINAK C&S s.r.o.  
 Phone: +42 058 174 1814  
 Fax: +42 058 170 2452  
 E-mail: info@linak.cz  
 Web: www.linak.cz - www.linak.sk

Denmark - International  
 LINAK International  
 Phone: +45 73 15 15 15  
 E-mail: info@linak.com  
 Web: www.linak.com

Denmark - Sales  
 LINAK Danmark A/S  
 Phone: +45 86 80 36 11  
 Fax: +45 86 82 90 51  
 E-mail: linak@linak-silkeborg.dk  
 Web: www.linak.dk

Finland  
 LINAK OY  
 Phone: +358 10 841 8700  
 E-mail: linak@linak.fi  
 Web: www.linak.fi

France  
 LINAK France E.U.R.L  
 Phone: +33 (0) 2 41 36 34 34  
 Fax: +33 (0) 2 41 36 35 00  
 E-mail: linak@linak.fr  
 Web: www.linak.fr

Germany  
 LINAK GmbH  
 Phone: +49 6043 9655 0  
 Fax: +49 6043 9655 60  
 E-mail: info@linak.de  
 Web: www.linak.de

India  
 LINAK A/S India Liaison Office  
 Phone: +91 120 4531797  
 Fax: +91 120 4786428  
 E-mail: info@linak.in  
 Web: www.linak.in

Ireland  
 LINAK UK Limited (Ireland)  
 Phone: +44 (0)121 544 2211  
 Fax: +44 (0)121 544 2552  
 +44 (0)796 855 1606 (UK Mobile)  
 +35 387 634 6554 (Rep.of Ireland Mobile)  
 E-mail: sales@linak.co.uk  
 Web: www.linak.co.uk

Italy  
 LINAK ITALIA S.r.l.  
 Phone: +39 02 48 46 33 66  
 Fax: +39 02 48 46 82 52  
 E-mail: info@linak.it  
 Web: www.linak.it

Japan  
 LINAK K.K.  
 Phone: 81-45-533-0802  
 Fax: 81-45-533-0803  
 E-mail: linak@linak.jp  
 Web: www.linak.jp

Malaysia  
 LINAK Actuators Sdn. Bhd.  
 Phone: +60 4 210 6500  
 Fax: +60 4 226 8901  
 E-mail: info@linak-asia.com  
 Web: www.linak.my

Netherlands  
 LINAK Actuator-Systems B.V.  
 Phone: +31 76 5 42 44 40 /  
 +31 76 200 11 10  
 E-mail: info@linak.nl  
 Web: www.linak.nl

New Zealand  
 LINAK New Zealand Ltd  
 Phone: +64 9580 2071  
 Fax: +64 9580 2072  
 E-mail: nzsales@linak.com.au  
 Web: www.linak.com.au

Norway  
 LINAK Norge AS  
 Phone: +47 32 82 90 90  
 E-mail: info@linak.no  
 Web: www.linak.no

Poland  
 LINAK Polska  
 LINAK Danmark A/S (Spółka Akcyjna)  
 Phone: +48 22 295 09 70 /  
 +48 22 295 09 71  
 E-mail: info@linak.pl  
 Web: www.linak.pl

Republic of Korea  
 LINAK Korea Ltd.  
 Phone: +82 2 6231 1515  
 Fax: +82 2 6231 1516  
 E-mail: info@linak.kr  
 Web: www.linak.kr

Slovakia  
 LINAK Slovakia S.R.O.  
 Phone: +421 51 7563 444  
 Web: www.linak.sk

Spain  
 LINAK Actuadores, S.L.U  
 Phone: +34 93 588 27 77  
 Fax: +34 93 588 27 85  
 E-mail: esma@linak.es  
 Web: www.linak.es

Sweden  
 LINAK Scandinavia AB  
 Phone: +46 8 732 20 00  
 Fax: +46 8 732 20 50  
 E-mail: info@linak.se  
 Web: www.linak.se

Switzerland  
 LINAK AG  
 Phone: +41 43 388 31 88  
 Fax: +41 43 388 31 87  
 E-mail: info@linak.ch  
 Web: www.linak.ch - www.fr.linak.ch  
 www.it.linak.ch

Taiwan  
 LINAK (Shenzhen) Actuator systems Ltd.  
 Taiwan Representative office  
 Phone: +886 2 272 90068  
 Fax: +886 2 272 90096  
 E-mail: sales@linak.com.tw  
 Web: www.linak.com.tw

Turkey  
 LINAK İth. İhr. San. ve Tic. A.Ş.  
 Phone: +90 312 4726338  
 Fax: +90 312 4726635  
 E-mail: info@linak.com.tr  
 Web: www.linak.com.tr

United Kingdom  
 LINAK UK Limited  
 Phone: +44 (0)121 544 2211  
 Fax: +44 (0)121 544 2552  
 E-mail: sales@linak.co.uk  
 Web: www.linak.co.uk

## DISTRIBUTORS

Argentina  
 Novotec Argentina SRL  
 Phone: 011-4303-8989 / 8900  
 Fax: 011-4032-0184  
 E-mail: info@novotecargentina.com  
 Web: www.novotecargentina.com

Colombia  
 MEM Ltda  
 Phone: +[57] (1) 334-7666  
 Fax: +[57] (1) 282-1684  
 E-mail: servicioalcliente@memlda.com.co  
 Web: www.mem.net.co

India  
 Mechatronics Control Equipments India Pvt Ltd  
 Phone: +91-44-28558484, 85  
 E-mail: bala@mechatronicscontrol.com  
 Web: www.mechatronicscontrol.com

Indonesia  
 PT. Himalaya Everest Jaya  
 Phone: +6 221 544 8956 /+6 221 544 8965  
 Fax: +6 221 619 1925  
 Fax (Sales): +6 221 619 4658  
 E-mail: hejplastic-div@centrin.net.id  
 Web: www.hej.co.id

Israel  
 NetivTech LTD  
 Phone: +972 55-2266-535  
 Fax: +972 2-9900-560  
 Email: info@NetivTech.com  
 Web: www.netivtech.com

Singapore  
 Servo Dynamics Pte Ltd  
 Phone: +65 6844 0288  
 Fax: +65 6844 0070  
 E-mail: servodynamics@servo.com.sg

South Africa  
 Industrial Specialised Applications CC  
 Phone: +27 011 466 0346  
 E-mail: gartht@isagroup.co.za  
 Web: www.isaza.co.za

United Arab Emirates  
 Mechatronics  
 Phone: +971 4 267 4311  
 Fax: +971 4 267 4312  
 E-mail: mechtron@emirates.net.ae

## Terms of use

LINAK® takes great care in providing accurate and up-to-date information on its products. However, the user is responsible for determining the suitability of LINAK products for a specific application. Due to continual development, LINAK products are subject to frequent modifications and changes. LINAK reserves the rights to conduct modifications, updates, and changes without any prior notice. For the same reason, LINAK cannot guarantee the correctness and actual status of imprinted information on its products.

LINAK uses its best efforts to fulfil orders. However, for the reasons mentioned above, LINAK cannot guarantee availability of any particular product at any given time. LINAK reserves the right to discontinue the sale of any product displayed on its website or listed in its catalogues or in other written material created and produced by LINAK, LINAK subsidiaries, or LINAK affiliates. All sales are subject to the 'Standard Terms of Sale and Delivery for LINAK A/S' available on LINAK websites. LINAK and the LINAK logotype are registered trademarks of LINAK A/S. All rights reserved.