



Control Box CB6 Data sheet

CB6

The control box CB6 has been specially developed for use together with LA27/LA40 in the care and rehab industry.

The control box is designed to be mounted on the actuator LA27/LA40 as with the CB9 and the LA31 system.

The control box CB6 has a LED power ON indicator, detachable mains cable and strain relief for all cables.

The control box CB6 communicates with the LA27/LA40 by means of the built-in end stop signal switches in the actuator.

Due to the signal switches the power to the motor will be cut off in the control box and not in the actuator.

LINAK recommends to use CA30 and CA40 for new projects.



Features:

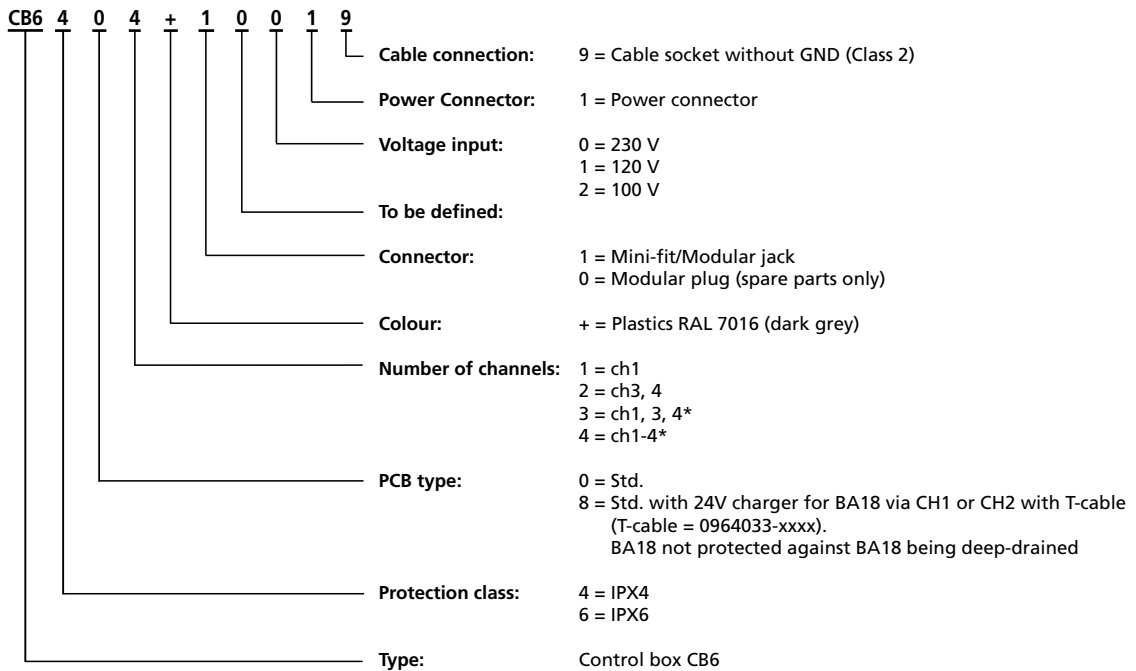
- Connection of up to 4 actuators (LA27/LA40)
- Extremely compact design
- Mains voltage: 100 / 120 / 230V AC 50-60 Hz
- Output voltage: 24V DC
- Ambient temperature: + 10°C to + 40°C
- Protection Class: IPX4, IPX6
- Colour: Dark grey (RAL 7016)
- Modular socket for handsets HB30 / HB70 / HL70 and HB80 / HL80
- 3.2 m straight mains cable
- Locking mechanism for cables
- Class 2 protection

Usage:

- Duty cycle: 2/18; 2 minutes continuous use followed by 18 minutes not in use
- CB6 is approved according to EN60601-1 / UL60601-1
- The CB6 can only be combined with LA27/LA40 and HB30 / HB70 / HL70 / HB80 and HL80

CB6

Ordering example:



Various information:

Mounting of CB on actuators / Mounting of CB separately / Blind plugs / Mains cables / Order volume

a) It is possible to mount either LA27 or LA40 onto CB6:

Mounting of LA27 to CB6:

A mounting clip is included in the BOM of CB6 = item No. 009271002-A. The clip is used to fix LA27 onto CB6 and is included in the CB6 package of each CB6 delivery. This item no. can also be ordered separately as a spare part.

Mounting of LA40 to CB6:

For mounting LA40 onto CB6, 2 external parts are needed – a mounting clip 0401017-A and an adapter 0401080-A. These are NOT included in the BOM of CB6. These item Nos. can be ordered as a kit including both 0401017 + 0401080. The item No. of the kit is: 40KIT-001.

b) When CB6 is to be mounted without being mounted to an actuator, a mounting bracket can be used. The bracket is available in the following versions: chromatised = item No. 9271233 or not chromatised = item No. 9271237.

c) It is possible to order blind plugs (500 per bag) for the actuator connections. The item No. is 009271027.

d) Mains cables must be ordered separately.

Channel explanation:

For PCB type "0

When actuator X reaches the end-stop, then actuator Y can also be affected.		
CB Type (number of channels)	Actuator X (channel in use)	Actuator(s) Y (influence on other actuators)
1	1	-
2	3 4	no influence no influence
3	1 3 4	3, 4 (also stop) no influence no influence
4	1 2 3 4	2, 3, 4 (also stop) 1, 3, 4 (also stop) no influence no influence

* PCB type 8 no influence on end-stop (Individual)

How to read the table:

The 4 type (CB6404 + 10019) has 4 channels.

If the actuators in either **channel 1 or 2** reach an end stop position and stop, then all other actuators will stop at the same time.

If actuators running in **channels 3 or 4** reach the end stop position it will not influence any of the other actuators.

Example with CB6403 + 10019:

- a) If channels 1 and 3 run together and channel 3 reaches the end stop then the actuator in channel 1 will continue running.
- b) If channels 1 and 3 run together and channel 1 reaches the end stop, then the actuator in channel 3 will also stop.

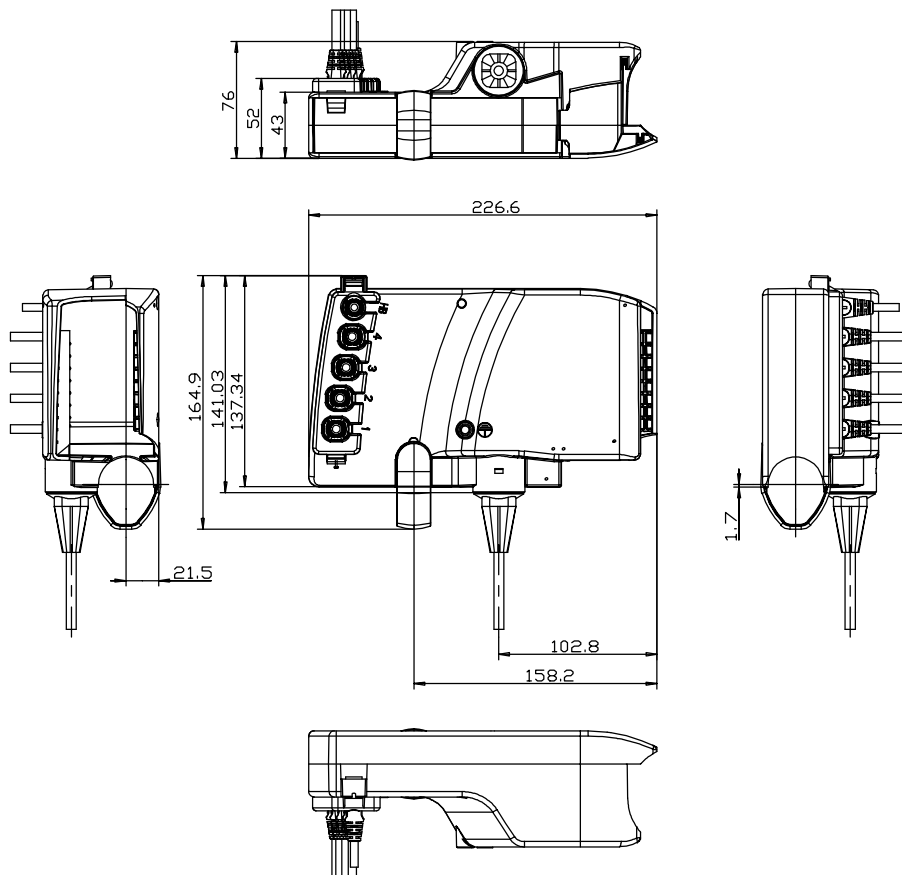
When channel 1 has stopped it is possible to start up channel 3 again (if it is not in end stop).

Note:

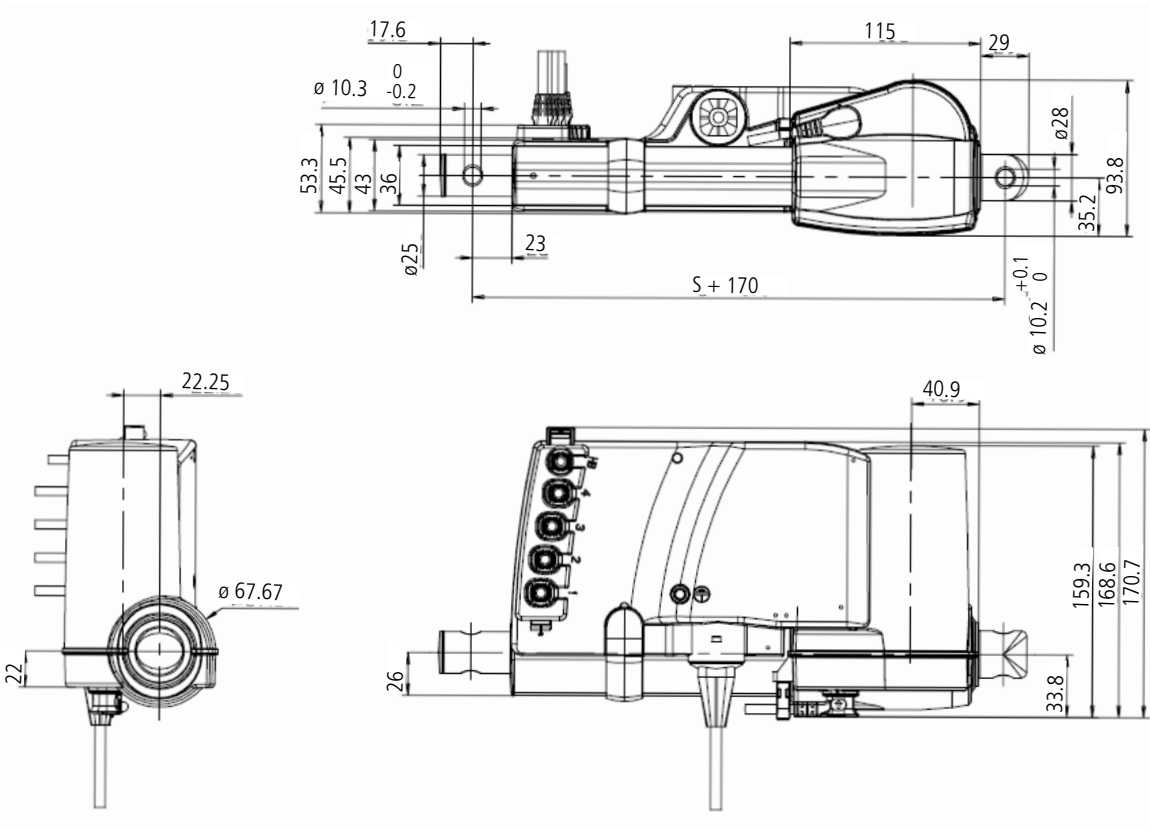
For CB6 the current will be cut off when the total current on all channels reaches approx. 5.1 to 5.4 Amp.

This means that when two LA27/LA40, running simultaneously, are connected to a CB6 they will not be able to lift the max. load mentioned under technical specifications (LA27/LA40).

Dimensions:

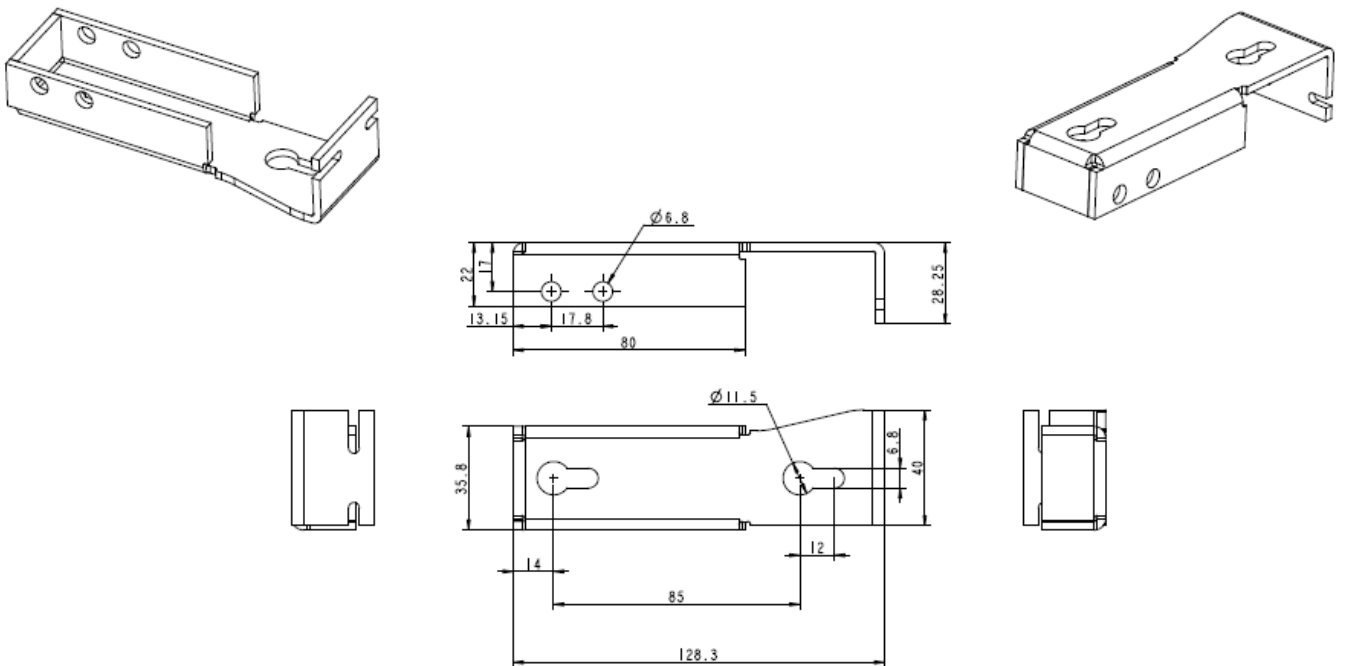


Dimensions LA27 with CB6:



When CB6 is to be mounted without being mounted to an actuator, a mounting bracket can be used. The bracket is available in the following versions: chromatised = item No. 9271233 or not chromatised = item No. 9271237.

Apart from LA27, it is not possible to mount CB6 onto LINAK actuators. In this case you need a CB6 mounting bracket which can be welded or likewise to the application. This bracket is shown below:



Terms of use

The user is responsible for determining the suitability of LINAK products for specific application. LINAK takes great care in providing accurate and up-to-date information on its products.
However, due to continuous development in order to improve its products, LINAK products are subject to frequent modifications and changes without prior notice. Therefore, LINAK cannot guarantee the correct and actual status of said information on its products.
While LINAK uses its best efforts to fulfill orders, LINAK cannot, for the same reasons as mentioned above, guarantee the availability of any particular product. Therefore, LINAK reserves the right to discontinue the sale of any product displayed on its website or listed in its catalogues or other written material drawn up by LINAK.
All sales are subject to the Standard Terms of Sale and Delivery for LINAK. For a copy hereof, please contact LINAK.