



Control Box CB20 OpenBus™

Data sheet

CB20 OpenBus™

CB20 is a platform which offers a unique safety concept, logging of service data and it is possible to connect a variety of accessories to the control box.

CB20 consists of 3 modules:

- CP20 = **C**ontrol **P**ower
- CU20 = **C**ontrol **U**nit
- BA20 = **B**attery

The modularity makes it easy to update the product with new technology and enables easier servicing.

The product is recommended in the area of advanced actuator solutions.



Features & Options:

- 4 channel version (8 A)
- 5 channel version (8 A)
- 6 channel version (8 A)
- Mains voltage 230V 50/60Hz version
- Mains voltage 120V 60Hz version
- Mains voltage 100V 50/60Hz version
- Service data is logged on every channel/actuator
- Software with many functionalities
- Battery capacity 1.3 AH, 24 V
- IPX4, IPX6 (Cannot be used for washable systems)
- The CP together with the BA can be mounted separately from the CU with use of the mounting bracket
- Multiple position feedback possible on all channels (Reed, hall and potentiometer)
- Connection of up to 12 hand controls / attendant controls, (depending on current consumption)
- Power management
- Colour: Grey RAL 7035
- Locking mechanism is included in CU20
- Customised software

Usage:

- Compatible with specific versions of LA23, LA27C, LA31, LA34, LA40, LA43, LA44 and BL1
- Duty cycle: 10% ~ max. 2 min. continuous use followed by 18 min. not in use
- Ambient temperature +5° to + 40°C
- Approvals: IEC60601-1:2005 3rd ed., ANSI / AAMI ES60601-1:2005, 3rd edition, CAN/wwCSA-22.2 No 60601-1:2008 approved

CP20

Ordering example:

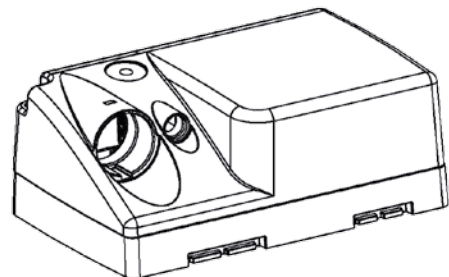
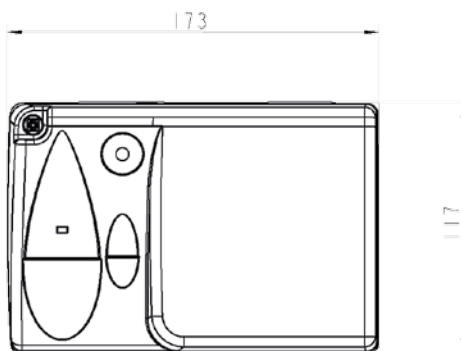
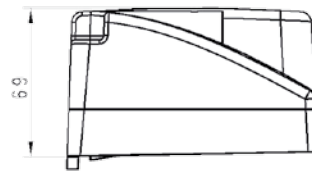
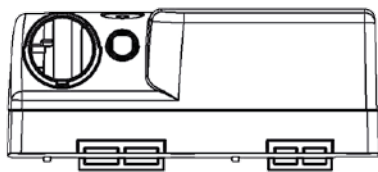
<p>CP20 0 0 00 0 A 0 1 0 0 9</p>	<p>Cables: 9 = No mains cable encl. (must be ordered separately)</p> <p>IP protection: 0 = IPX4 6 = IPX6</p> <p>Mains Voltage: 0 = 230 V 50 / 60 Hz 1 = 120 V 60 Hz 2 = 100 V 50 / 60 Hz</p> <p>Colour: 1 = Grey, RAL 7035</p> <p>Class: 0 = Class 1, with earth connection</p> <p>Battery: A = For use with 1.3 Ah Lead Acid batteries</p> <p>Output cable : 0 = For mounting on CP only</p> <p>Not used:</p> <p>Transformer: 0 = 200W supply toroidal (CB18 transformer) 1 = 270W supply toroidal (increased power), only for 230V and 120V versions</p> <p>Type: 0 = Std.</p>
----------------------------------	--

NB: IPX6 - cannot be used for washable systems

Features & Options:

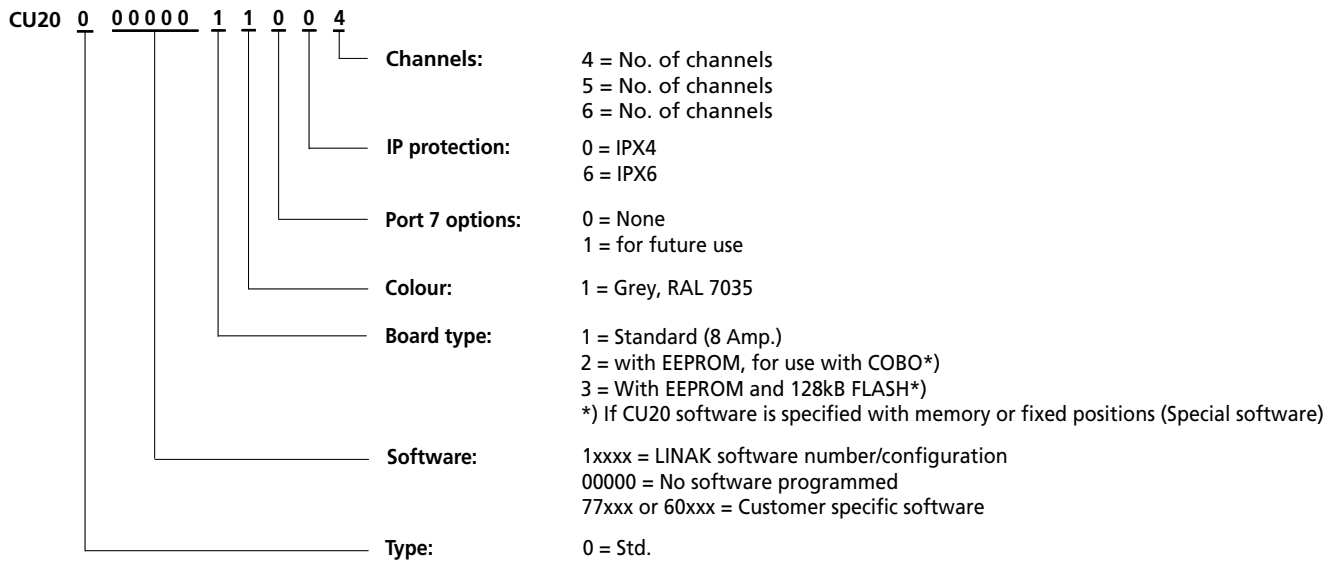
- Mains voltage 100, 120, 230V AC 50 / 60 Hz
- 200 W / 270 W toroidal transformer
- Class 1 (with earth)
- Colour: Grey RAL 7035
- IP Protection class IPX4
- IP Protection class IPX6 (Cannot be used for washable systems)
- Extension cable and mounting plate for use when CP20 and BA20 are placed separately from the CU20 (must be ordered separately)

Dimensions: CP20



CU20

Ordering example:



NB: IPX6 - cannot be used for washable systems

Features & Options:

- 4, 5 or 6 channels
- 8 A current cut-off on each individual channel
(max. total current available from standard CP20 is 8 A)
- Colour: Grey RAL 7035
- IP Protection class IPX4
- IP Protection class IPX6 (Cannot be used for washable systems)
- Configurable software
- Customised software



Blind plug for IN (Controls) ports:

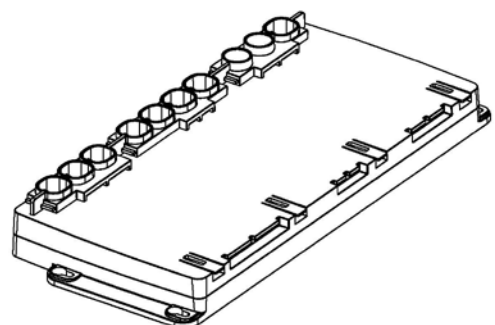
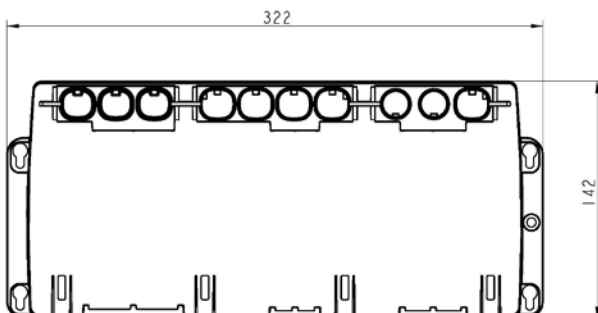
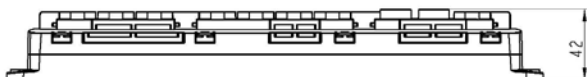
Order no.: 0821008 (must be ordered separately)

Blind plug for OUT (Actuators) ports:

Order no.: 0988003 (must be ordered separately)

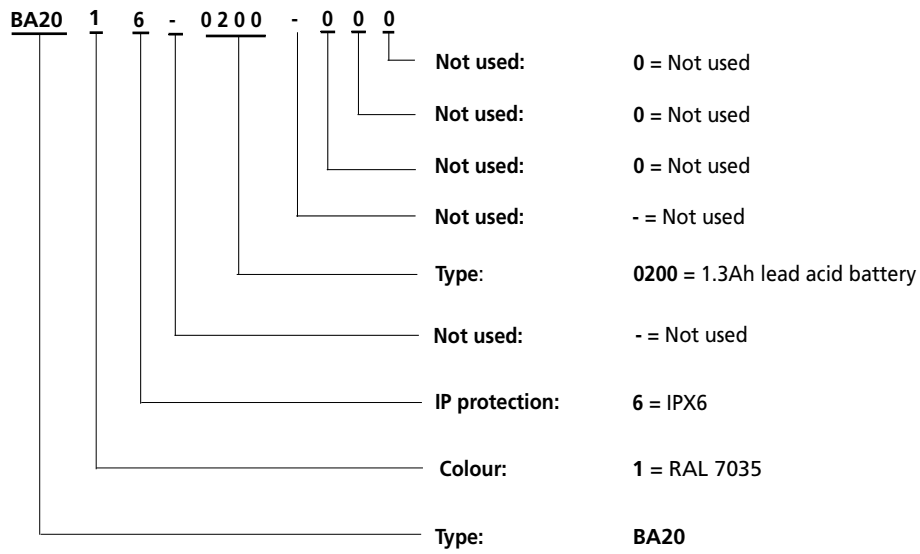
Dimensions:

CU20



BA20

Ordering example:

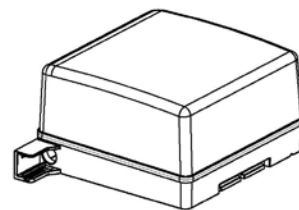
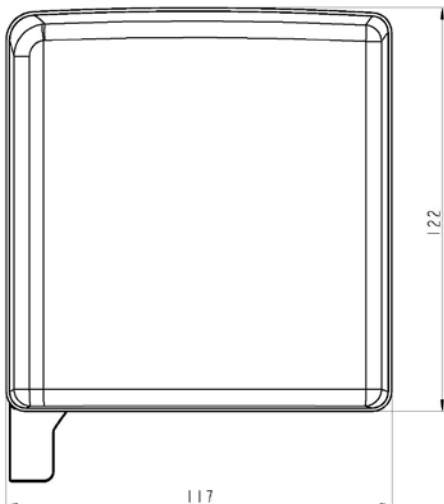
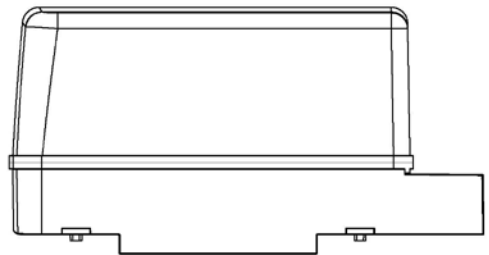
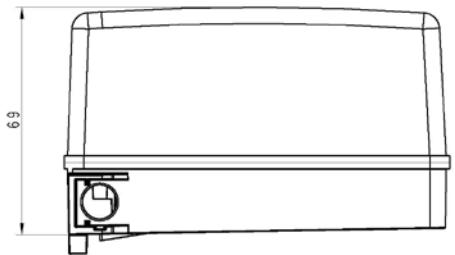


NB: IPX6 - cannot be used for washable systems

Features:

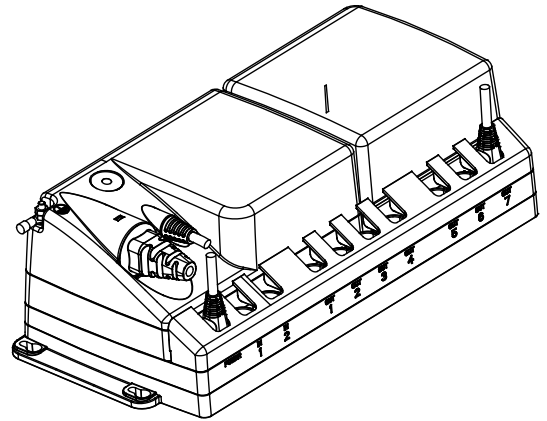
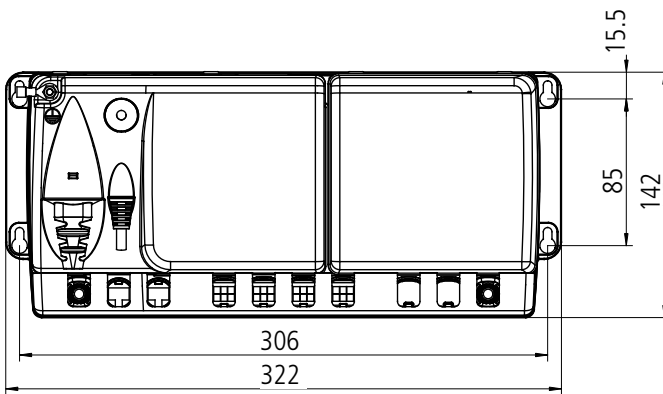
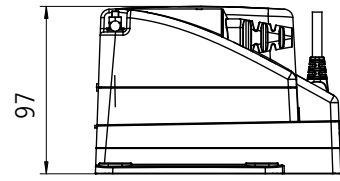
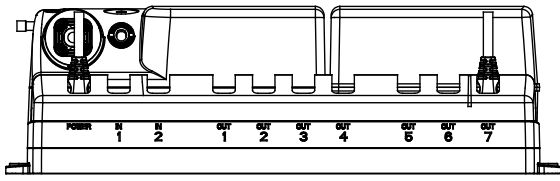
- 1.3 Ah lead acid battery
- Colour: Grey RAL 7035
- IP Protection class IPX6 (Cannot be used for washable systems)

Dimensions: BA20



SCALE 1:2

CB20 (complete) dimensions:



Compatibility

The introduction of CB20 and OpenBus™ communication has made it necessary to make changes to actuators, hand controls and attendant controls, in order to make them compatible with OpenBus™ control boxes. The following products are compatible with CB20.

Product:	Type:	Cable (typical):
LA23	Positioning: 00 (No positioning) Positioning: 02 (Dual Hall, digital) Motor type: G (for OpenBus CB)	Minifit – Minifit
LA27	Option position: 0 (Standard) Option position: B (Hall)	Minifit – Minifit
LA31	Option: 0 (Standard) Option: H (Hall)	Minifit – Minifit
LA34	Positioning: 0 (No)	Minifit – Minifit
LA40	Feedback: 00 (None) Feedback: 0M (Dual Hall, encoded) Endstop: 2 (Encoded)	Minifit – Minifit
LA43	Feedback: 0 (None) Feedback: H (Dual Hall, digital) Feedback: M (Dual Hall, encoded) Endstop: 0 (Power switch) Endstop: 2 (Encoded)	Minifit – Minifit
LA44	Positioning: 0 (No) Positioning: P (Potentiometer) Positioning: H (Hall)	Minifit – Minifit
BL1	Positioning: 1 (Power switch)	Minifit – Minifit

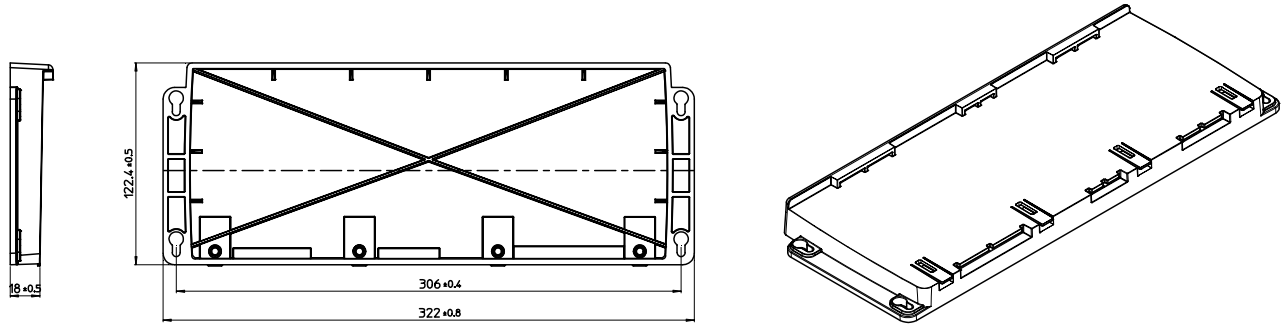


The motor cables can be either exchangeable or fixed, depending on the actuator. CB20 is not compatible with buffer type actuators.

Products for mounting CP20 and BA20 apart from CU20:

Item no.:	Product description	Colour
0951016	Mounting plate	RAL7035
0964014	Extension cable between CP-CU	RAL7035

Mounting plate dimensions:



ACC and MJB cables:

Item no.:	Type:	Colour:	Material:	Plug:	Length:
0277054-1250	Straight	RAL7035	PVC	Modular jack – modular jack	1250
0277054-2500	Straight	RAL7035	PVC	Modular jack – modular jack	2500
0277054-300	Straight	RAL7035	PVC	Modular jack – modular jack	300
0964110-500	Straight	RAL7035	PVC	Modular Jack	500
0964110-600	Straight	RAL7035	PVC	Modular Jack	600
0964110-800	Straight	RAL7035	PVC	Modular Jack	800
0964233	Straight	RAL7035	PVC	Modular jack – modular jack	650

Actuator connector cables:

Item no.:	Wires:	Type:	Colour:	Material:	Plug:	Length:
0964003-300	6	Straight	RAL7035	PVC	Minifit - Minifit	300
0964003-500	6	Straight	RAL7035	PVC	Minifit - Minifit	500
0964003-1000	6	Straight	RAL7035	PVC	Minifit - Minifit	1000
0964003-1250	6	Straight	RAL7035	PVC	Minifit - Minifit	1250
0964003-2500	6	Straight	RAL7035	PVC	Minifit - Minifit	2500
0964008-200	4	Coiled	RAL7035	PVC	Minifit - Minifit	200
0964008-400	4	Coiled	RAL7035	PVC	Minifit - Minifit	400
0964424-0300	6	Straight*	RAL7035	PVC	Minifit - Minifit	300
0964424-0500	6	Straight*	RAL7035	PVC	Minifit - Minifit	500
0964424-1250	6	Straight*	RAL7035	PVC	Minifit - Minifit	1250
0964424-2500	6	Straight*	RAL7035	PVC	Minifit - Minifit	2500

*18 AWG motor wires



Please be aware:

CB20 is delivered in 3 separate units. The units are not assembled at LINAK A/S

Terms of use

The user is responsible for determining the suitability of LINAK products for specific application. LINAK takes great care in providing accurate and up-to-date information on its products.

However, due to continuous development in order to improve its products, LINAK products are subject to frequent modifications and changes without prior notice. Therefore, LINAK cannot guarantee the correct and actual status of said information on its products.

While LINAK uses its best efforts to fulfill orders, LINAK cannot, for the same reasons as mentioned above, guarantee the availability of any particular product. Therefore, LINAK reserves the right to discontinue the sale of any product displayed on its website or listed in its catalogues or other written material drawn up by LINAK.

All sales are subject to the Standard Terms of Sale and Delivery for LINAK. For a copy hereof, please contact LINAK.