

Control Box CB16 OpenBus™

Data sheet

CB16 OpenBus™

CB16 is part of the LINAK OpenBus™ product range. It is a powerful control box with either traditional transformer solution or Switch Mode Power Supply. The universal Switch Mode Power Supply makes the control box adaptable to the worldwide market irrespective of the input voltage.

The flexible OpenBus™ solutions are software based control boxes which make it easy to customize the actuator movement. Furthermore, it is possible to add value-adding accessories to your application.

The CB16 control box is designed for the hospital and care segment for applications such as hospital beds, treatment and examination couches, treatment chairs and gynaecology tables etc.

The CB16 has the following benefits:

- Unique OpenBus safety concept which prevents unintended actuator movement.
- Possibility of special software to achieve desired functionality, movement pattern and safety level in the application.
- Possibility of add on OpenBus™ accessories such as light, wireless hand control or nurse call via hand control and Gateway.

SMPS version:

Universal Switch Mode Power Supply covering from 100 - 240 VAC

- 270W powerful SMPS enabling maximum use of actuator capacity
- SMPS saves weight



Features & Options

CB16 OBF SMPS

- Mains Voltage: 100 - 240 V AC (50/60 Hz)
- Power Supply: 270 W - take care to specify the proper Power Characteristic (software)
- Standby Power Consumption: approx. 0.8 W (230 V)
- Channels: 5
- Duty Cycle Guard: Yes
- Weight: 2.4 kg with battery and 1.19 kg without battery
- Speed control: Supported
- Max. current, total: 8 A
- Max. current per channel: 5.5 A - 8 A
- Electronic Overload Protection: Supported
- Housing Colour: Light Grey (RAL 7035)
- IP rating: IPX4, IPX6 and IPX6 washable
- Battery internal: Yes, 1.3 Ah
- Software: Predefined or customised
- Flammability rating: UL94 V-0
- Operation: Parallel (feedback possible)
- μ -processor: 64 Kb
- OpenBus accessories
max. 200 mA (Vbus)
max. 200 mA (Vpermanent)
- Power Management: Not supported
- Service monitor: Supported
- Connection to Service Data Tool: Yes
- Soft start/stop
- HB back light: Supported (Vpermanent)

For other CB16 OpenBus variants, see next page

Features and Options:

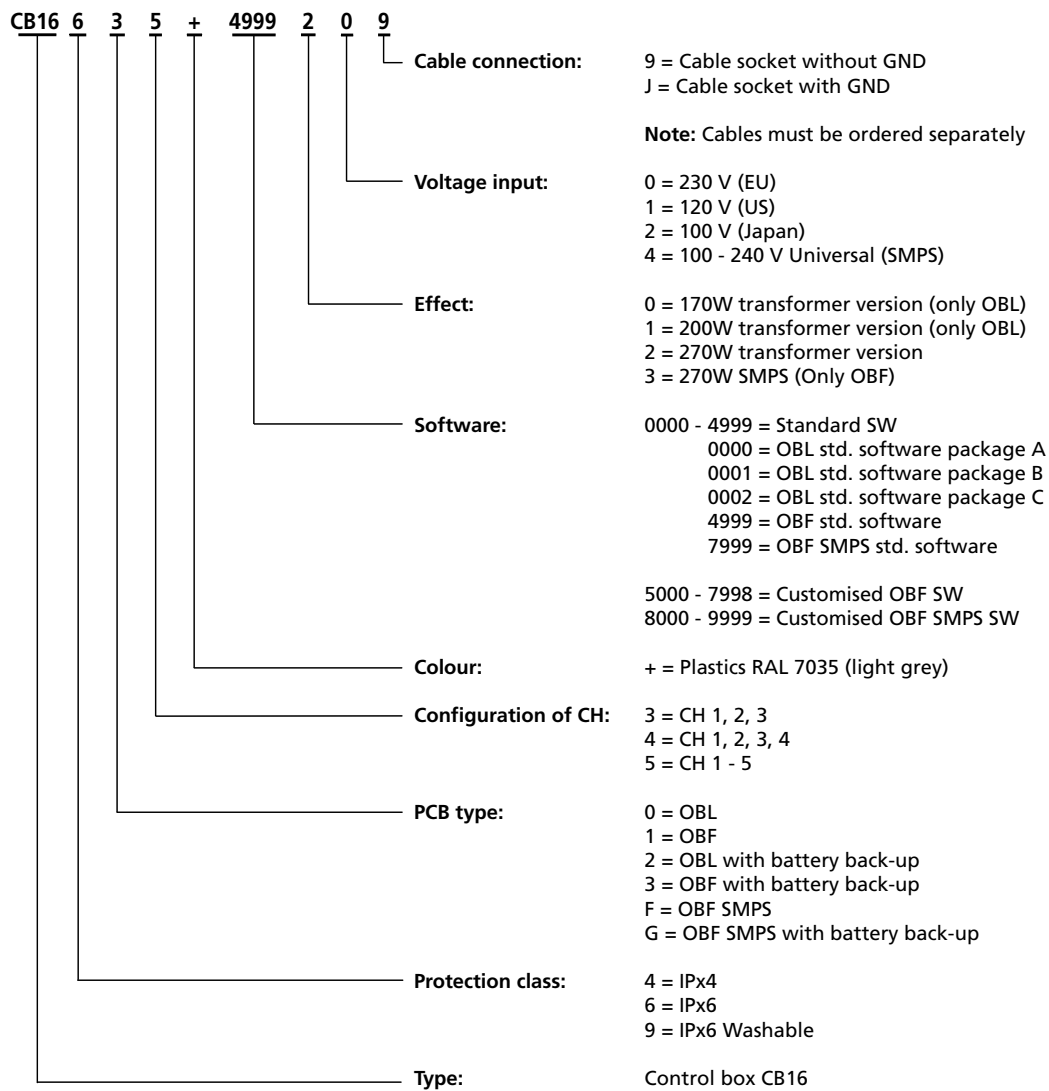
	OBL	OBF	OBF SMPS
Mains Voltage	100, 120 or 230 V AC (50/60 Hz) (100, 120 V on request only)	100, 120 or 230 V AC (50/60 Hz) (100, 120 V on request only)	100 - 240 V AC (50/60 Hz)
Power Supply	Transformer toroidal: 270 W	Transformer toroidal: 270 W	270 W Note: When SMPS is used take care to specify the proper Power Characteristic (software)
Standby Power Consumption	Transformer: approx. 2.5 W (230 V)	Transformer: approx. 2.5 W (230 V)	SMPS: approx. 0.8 W (230 V)
Channels	5	5	5
Duty Cycle Guard	No	No	Yes
Weight	3.42 kg with battery 2.12 kg without battery	3.36 kg with battery 2.06 kg without battery	2.40 kg with battery 1.19 kg without battery
Speed control	Not supported	Supported	Supported
Max. current, total	8 A	8 A	8 A
Max. current per channel	5.5 A - 8 A	5.5 A - 8 A	5.5 A - 8 A
Electronic Overload Protection	Supported	Supported	Supported
Housing Colour	Light Grey (RAL 7035)	Light Grey (RAL 7035)	Light Grey (RAL 7035)
IP rating	IPX4, IPX6 and IPX6 washable	IPX4, IPX6 and IPX6 washable	IPX4, IPX6 and IPX6 washable
Battery internal	Yes, 1.3 Ah	Yes, 1.3 Ah	Yes, 1.3 Ah
Software	Predefined or customised	Predefined or customised	Predefined or customised
Flammability rating	UL94 V-0	UL94 V-0	UL94 V-0
Operation	Simultaneous	Parallel (feedback possible)	Parallel (feedback possible)
µ-processor	4 Kb	64 Kb	64 Kb
OpenBus accessories	max. 200 mA (Vbus) max. 200 mA (Vpermanent)	max. 200 mA (Vbus) max. 200 mA (Vpermanent)	max. 200 mA (Vbus) max. 200 mA (Vpermanent)
Power Management	Not supported	Not supported	Not supported
Service monitor	Not supported	Supported	Supported
Connection to Service Data Tool	Yes	Yes	Yes
Start/stop	Direct start/stop	Soft start/stop	Soft start/stop
HB back light	Supported (Vpermanent)	Supported (Vpermanent)	Supported (Vpermanent)

Usage:

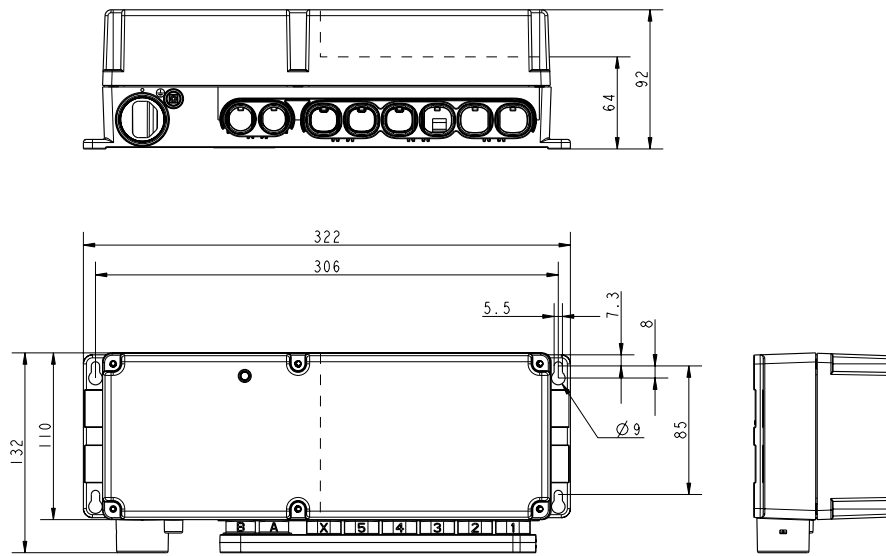
- Approvals: CB16OBF/OBL is approved according to IEC60601-1:2005 3rd ed., ANSI / AAMI ES60601-1:2005, 3rd edition, CAN / CSA-22.2 No 60601-1:2008
- Compatibility: LA27 (no feedback/encoded feedback), LA31, LA34, LA43, LA44, BL1, and BL4
- Duty cycle: 10%, 2 minutes continuous use followed by 18 minutes not in use
- Usage temperature: 5°C to 40°C
- Storage temperature: -10°C to 50°C

CB16

Ordering example:



Dimensions:



Terms of use

The user is responsible for determining the suitability of LINAK products for specific application. LINAK takes great care in providing accurate and up-to-date information on its products.

However, due to continuous development in order to improve its products, LINAK products are subject to frequent modifications and changes without prior notice. Therefore, LINAK cannot guarantee the correct and actual status of said information on its products.

While LINAK uses its best efforts to fulfill orders, LINAK cannot, for the same reasons as mentioned above, guarantee the availability of any particular product. Therefore, LINAK reserves the right to discontinue the sale of any product displayed on its website or listed in its catalogues or other written material drawn up by LINAK.

All sales are subject to the Standard Terms of Sale and Delivery for LINAK. For a copy hereof, please contact LINAK.