



# Control Box CB14 Data sheet

# CB14

---

The control box CB14 with microprocessor is developed for systems with a need to run up to five actuators or two actuators / lifting columns in parallel and / or with memory function.

CB14 has features such as battery back-up, wet alarm, IPX6 makes the control box suitable for a variety of applications.



---

## Features:

- Choice of 11 different standard software packages
- Mains voltage: 230/120/100 V AC, 50-60 Hz
- Output voltage: 24 V DC
- Protection class: IPX1
- Exchangeable 3.2 m straight mains cable
- Individual electronic overload protection (EOP)
- Compact high-power transformer with low power consumption and low electromagnetic emission
- Energy saving function (the control box defaults into stand-by mode when not operated) (no discharging of the batteries in stand-by mode)
- Locking mechanism for DIN-, jack and mains socket
- Class 2 protection
- Colour: black
- LED for power indication
- EAS electronic overload protection of relays for extended life.

## Options:

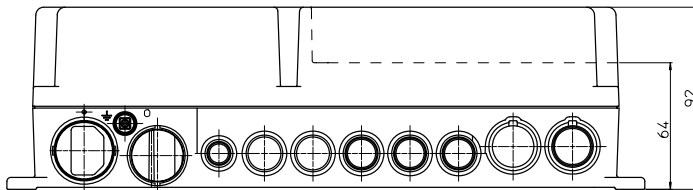
- Customised software can be ordered (required for LA34R)
- Protection against single fault condition when used together with ACP-box (only with special customised software)
- Mains fuse replaceable from the outside
- Extra fuse placed inside the lid
- 0.6 m coiled mains cable
- Battery back-up: available with internally or externally fitted battery sets (BA18) (1.2 Ah) (audio battery alarm indicates low battery charge)
- Protection class: IPX6 for wash tunnels
- Class 1 (Earth connection outside the control box and 3-wire mains cable)
- Audio alarm warns when there is water inside the control box
- Colour: Grey
- 2 DIN socket for connection of 1 handset HB40E/HB50E/HB70E/DP1M/DPXE and 1 ACP-box (only with special software)

continue

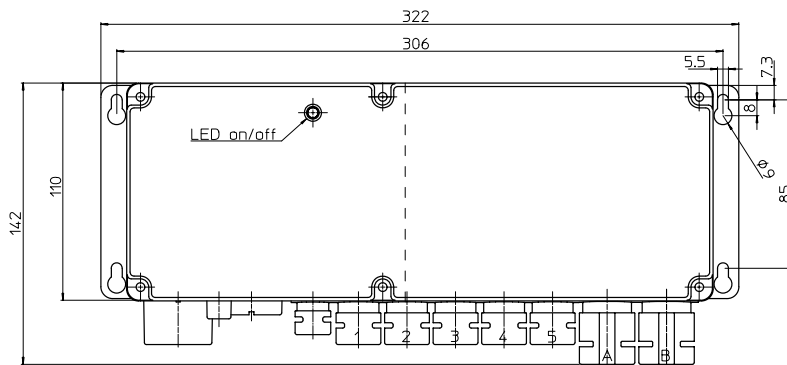
**Usage:**

- Duty cycle: 2/18; 2min. continuous use followed by 18 min. not in use
- Ambient temperature +5° to +40° C
- Connection of up to 5 system actuators with jack plug e.g. LA28S, LA31, LA32, & LA34
- Medically approved according to EN 60601-1

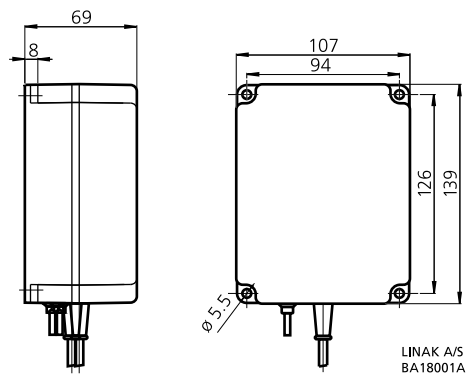
**Dimensions:  
CB14**



Drawing no.: CB12\_140001A



**Dimensions:  
BA18**



# CB14

## Ordering example:

CB14 M 0 00 2 0 0 0 0 0

- Cables:**
  - Mains cable 2P:**
    - 0 = Straight cable EU
    - 1 = Coiled cable EU
    - 3 = Straight cable UK
    - 4 = Straight cable Japan
    - 5 = Straight cable UL
    - 6 = Straight cable CH
    - 7 = Straight cable AUS
    - 9 = Without cable
  - Mains cable 3P with earth:**
    - A = Straight cable EU
    - B = Coiled cable EU
    - D = Straight cable UK
    - F = Straight cable UL
    - G = Straight cable CH
    - H = Straight cable AUS
    - J = without cable
    - K = Coiled cable DK
- IP protection:**
  - 0 = IPX1
  - 2 = IPX6
- Mains voltage:**
  - 0 = 230V
  - 1 = 120V
  - 2 = 100V
  - 3 = 230V without fuse cover
  - 4 = 120V without fuse cover
  - 5 = 100V without fuse cover
- Colour:**
  - 0 = Black
  - 1 = Grey
- Option:**
  - 0 = No ACP connection
  - A = ACP connection with CB14H
- Battery:**
  - 0 = Without batteries
  - A = Mounted with internal batteries
  - B = Prepared for external batteries (BA1800)
  - C = Mounted with internal batteries + wet alarm
  - D = Prepared for external batteries + wet alarm (BA1800)
  - M = Prepared for internal batteries (BA1201 to be ordered separately not mounted at LINAK A/S)
  - N = Prepared for internal batteries (BA1201 to be ordered separately not mounted at LINAK A/S) + wet alarm
- Channels:**
  - 1 - 5 (Max. current pr. channel = 5.5A - Max. total current = 10A)\*
- Option:**
  - 00 = Standard
  - 01 = Brake buzzer (only for option H)
- Mains:**
  - 0 = Standard

Name	Function	Memory with HB5xE (max. HB54E), HB7XW (max. HB73W)	Memory with DP1M	Memory with impulse push with HB5xE (max. HB54E)	Memory with impulse push with DP1M	Operation without memory with HB4xE, DPxE, HB7xE or FSXE
CB14A	2 channels parallel operation on CH1 and CH2			Yes	Yes	Yes
CB14B	Memory on all channels			Yes	Yes	Yes
CB14I	2 + 2 channels parallel operation on CH1 and CH2 as well as CH3 and CH4	Yes				Yes
CB14J	2 + 2 channels parallel operation on CH1 and CH2 as well as CH3 and CH4			Yes		Yes
CB14L	2 channels parallel operation on CH1 and CH2, Trendelenburg on CH1 and CH2	Yes	Yes			Yes
CB14M	Memory on all channels	Yes	Yes			Yes
CB14P	2 channels parallel operation on CH1 and CH2	Yes	Yes			Yes
CB14O	Analogue control on all channels. Simultaneous operation on Trendelenburg with special handset possible					Yes
CB14H	1 + 2 parallel (BL4 with Reed) 3 and 4 single (LA31/LA34 without Reed)	Yes				Yes

**Regarding CB14O:**  
For detailed software specification, please contact LINAK A/S.  
In special cases 3 parallel may be possible with 3 parallel actuators, please contact LINAK A/S.  
Control box CB14

Earth only on 3P mains cable.  
\* Typical values



The battery will only be charged if the following conditions are present:  
a) the handset is activated b) the battery is low c) the CB14 must be mains connected

- A control box with battery should be charged at least every six months. However, the longest life is obtained when the battery is always fully charged.



Standard software: All software packages have memory. To use memory a handset with memory functions must be ordered.



Actuators with end-stop switches must have special software.

### Actuators

Kindly note that together with CB14 only actuators with built-in reed-switch (on all channels) can be used. This applies both to versions, which are used with and without memory and to versions with and without parallel operation. However, it does not apply to CB140 (the analogue version).







---

**Terms of use**

The user is responsible for determining the suitability of LINAK products for specific application. LINAK takes great care in providing accurate and up-to-date information on its products.

However, due to continuous development in order to improve its products, LINAK products are subject to frequent modifications and changes without prior notice. Therefore, LINAK cannot guarantee the correct and actual status of said information on its products. While LINAK uses its best efforts to fulfill orders, LINAK cannot, for the same reasons as mentioned above, guarantee the availability of any particular product. Therefore, LINAK reserves the right to discontinue the sale of any product displayed on its website or listed in its catalogues or other written material drawn up by LINAK.

All sales are subject to the Standard Terms of Sale and Delivery for LINAK. For a copy hereof, please contact LINAK.