



Control Box CAL40 Data sheet

CAL40

The control box CAL40 is part of the LIFT40 product series specially developed for patient lifts.

LIFT40 is a complete system consisting of the control box CAL40 or CAL40+, a battery BAL40 and an external charger CHL40 in a flexible solution. Combined with one or more actuators and a hand control you have a complete system for modern patient lifts.

The LIFT40 control box range is available in two product levels. Full feature level CAL40+ and entry level CAL40. The CAL40+ control box is equipped with a series of features like Bluetooth, 3 channels and customisable software (SoftCon2). The entry level control box comes with maximum 2 channels. Both level control boxes meet the patient's need for a safe and comfortable lift.

Combine this with an easy-to-replace battery. All housed in a modern and intuitive ergonomic package for fast and easy battery exchange.

The updated design with a clean white surface reduces visual noise. This makes it easy to integrate the LIFT40 design into the OEM patient lift design.



Feature highlights:

- Ingress protection IPX6
- Cable management
- Redundant control buttons on channel 1
- Emergency stop located on top for easy access and to avoid unintended activation
- BLE - Bluetooth® Low Energy (only CAL40+)
- Service and overload indicator (only CAL40+)
- SoftCon2-ready for on-location software customisation (only CAL40+)

Usage:

- With internal charger: Nominal current draw max. 350 mA (depending on input voltage)
Standby power of 230 VAC = 0.7 W (depending on input voltage)
Improved BLE might give lower power consumption
Input voltage range: 120-240 VAC (50/60 Hz)
Power consumption (charging): max. 30 W (depending on input voltage)

- Duty cycle: Max. 10%, 2 minutes continuous use followed by 18 minutes without use
- Operating temperature: +5 °C to +40 °C
- Storage temperature: -10 °C to +50 °C
- Relative humidity: 20% to 80% - non-condensing
- Atmospheric pressure: 700 to 1060 hPa
- Meters above sea level: Max. 3000 meters
- Approvals (pending):
CAL40
EN IEC 60601-1
ANSI/AAMI ES60601-1
CAN/CSA-C22.2 NO. 60601-1
EN IEC 60601-1-2
CAL40+
IEC 60601-1
ANSI/AAMI ES60601-1/CSA CAN/CSA-C22.2 NO. 60601-1
RED (EU)
FCC ID (US)
IC ID (Canada)
Telec (Japan)
Bluetooth® qualification

Features and options

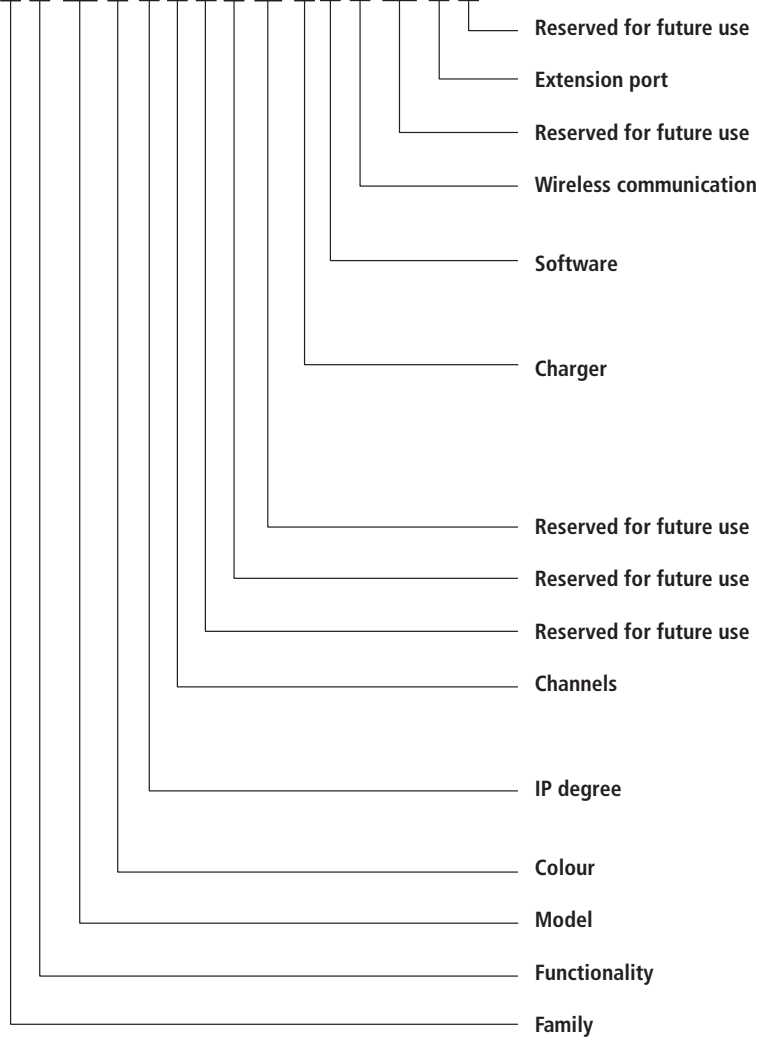
Features	CAL40+	CAL40
Channels	Up to 3 channels	Up to 2 channels
Soft start/stop	Yes	Yes
Emergency stop function	Located on top to avoid unintended activation	Located on top to avoid unintended activation
Output current*	12 A on all channels (duty cycle 2/18 min.)	10 A both channels (duty cycle 2/18 min.)
Acoustic battery alarm	Yes	Yes
LED Indicators	Battery status (3 pcs) and system status/service (2 pcs.)	Battery status (1 pc.) and system status/service (1 pc.)
Wireless operation	BLE, Bluetooth® Low Energy	No
Redundant control buttons on channel 1	Up and down channel 1	Up and down channel 1
Cable management	Yes, cable locking and cable routing	Yes, cable locking and cable routing
Ingress Protection	IPX6	IPX6
Safe Working Load (SWL) adjustment	Yes	Yes
Battery charging	Internal and external	Internal and external
Software customisation/SC2	SoftCon2	One std. software/LIX configurable
Colour base	Light grey RAL7035	Light grey RAL7035
Cable cover colour	Signal White RAL9003	Signal White RAL9003
Feedback actuators	No	No
Service status	Yes - Yellow LED indication + buzzer	Yes - Yellow LED indication + buzzer
Low battery information	LED + buzzer	LED + buzzer

Output current*

If the output current is higher than 10 Amp, the output voltage is lowered from 24 V to approx. 20 V.

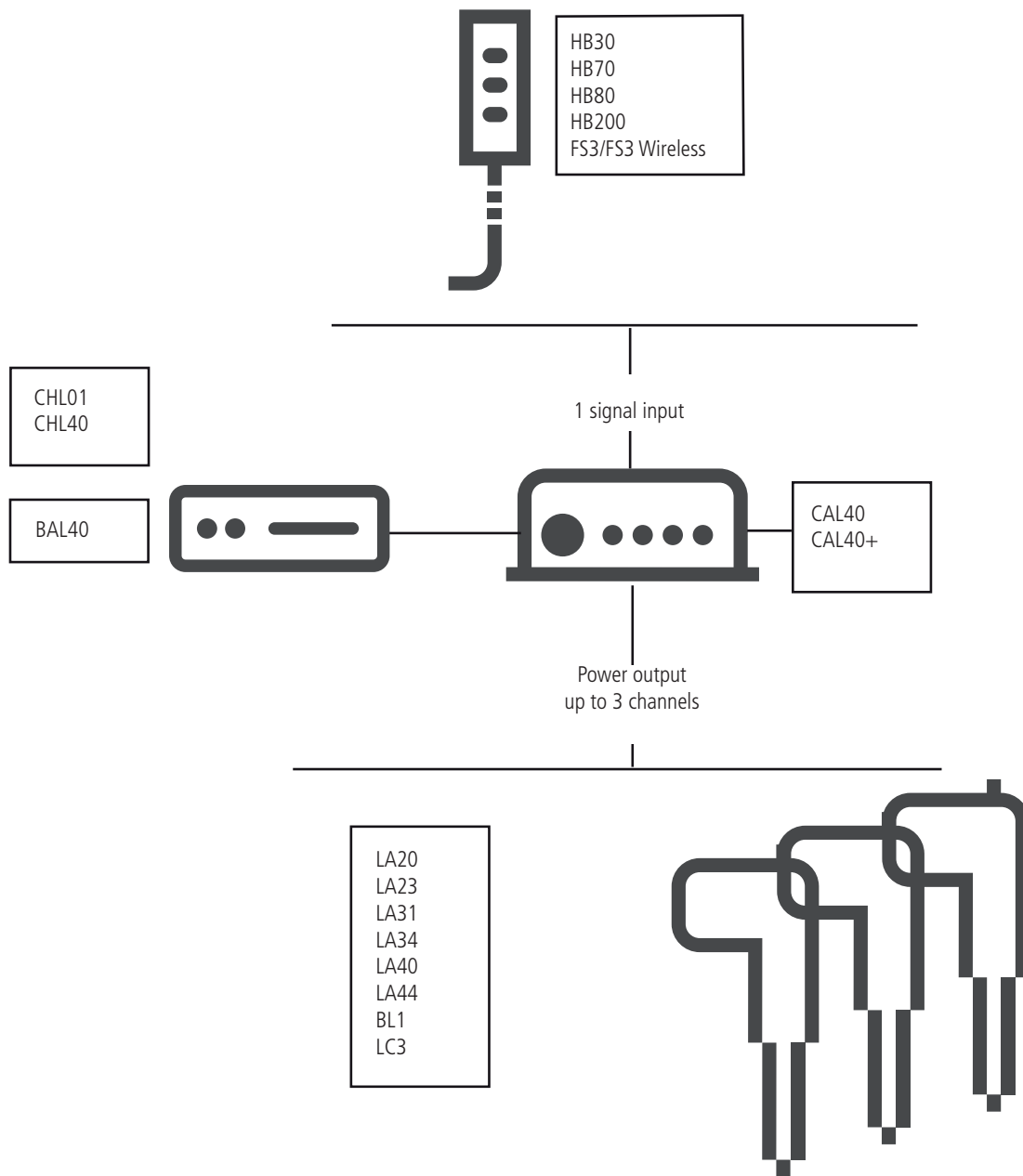
**Ordering example
CAL40 and CAL40+**

C A L40 A 6 2 0 0 00 1 T 2 000 0 0



- 0 = None
- 000 = None
- 0 = None
- 2 = Bluetooth (only CAL40+)
- T = Test software
- S = Standard software
- X = Customised software
- 0 = None
- 1 = Internal 100-240VAC +15%/-10%
- 2 = External (DC connector)
- 3 = Internal 100-240VAC +15%/-10% and External (DC connector) (only CAL40+)
- 1 = 1 Channel
- 2 = 2 Channels
- 3 = 3 Channels (only CAL40+)
- 4 = IPX4
- 6 = IPX6
- A = RAL7035 Light Gray, RAL9003 white cable cover
- L40 = LIFT™ 40 series
- A = Basic analogue input
- C = Control Box

CAL40 - System Overview



Internal battery charger:

LIFT40 is available with and without internal charger.

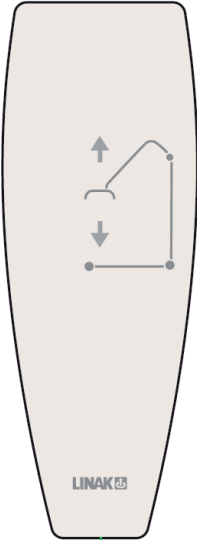
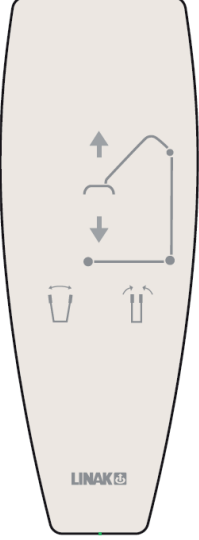
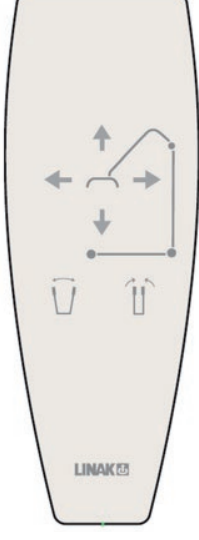

The internal SMPS charger makes charging of the batteries very efficient.

The charging time depends on the battery capacity and condition. Typically, the BAL40 charging time is 4-5 hours from fully discharged state.

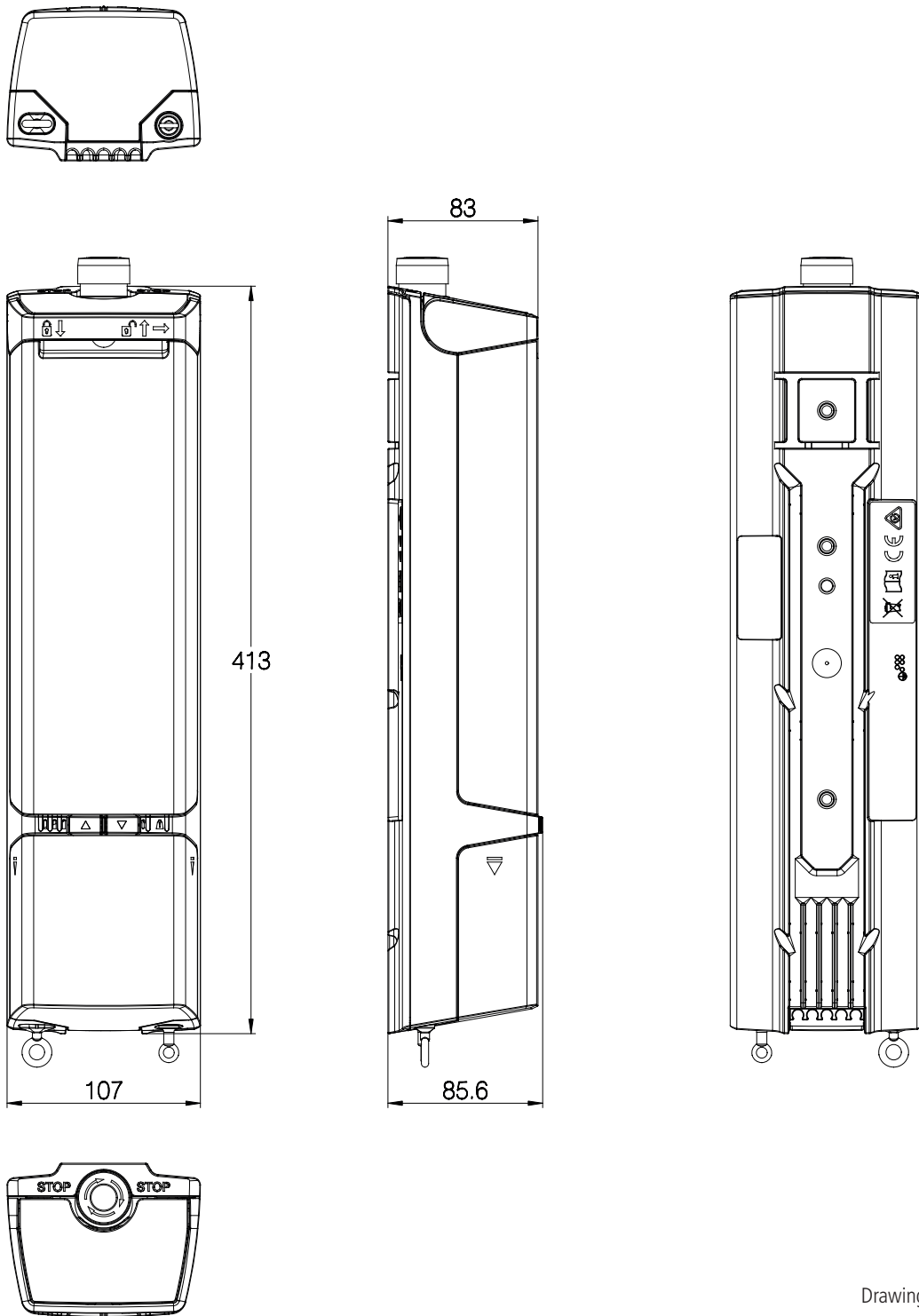
Mains voltage from 120-240 VAC (50/60 Hz).

The charger indicates whether it is connected to mains or whether the battery is being charged.

LIFT40 hand controls

1 Channel	2 Channel	3 Channel
<p>J05628 (HB310000B006-2102D1E000). Hook w/rubber, IPX6, PU cable</p> <p>J05616 (HB310000B004-2M02D1E000). Magnet, IPX4, PU cable</p>	<p>J06531 (HB320000B004-2M02D1E000). Magnet, IPX4, PU cable</p> <p>J05306 (HB320000B004-2002D1E000). Hook, IPX4, PU cable</p>	<p>HB30132-00 (Hook) HB30133-00 (Magnet)</p>
		
<p>Hand control for the SWL function Special hand control prepared for use with the SWL function.</p> <p>Item number: HB7x161-00</p>		

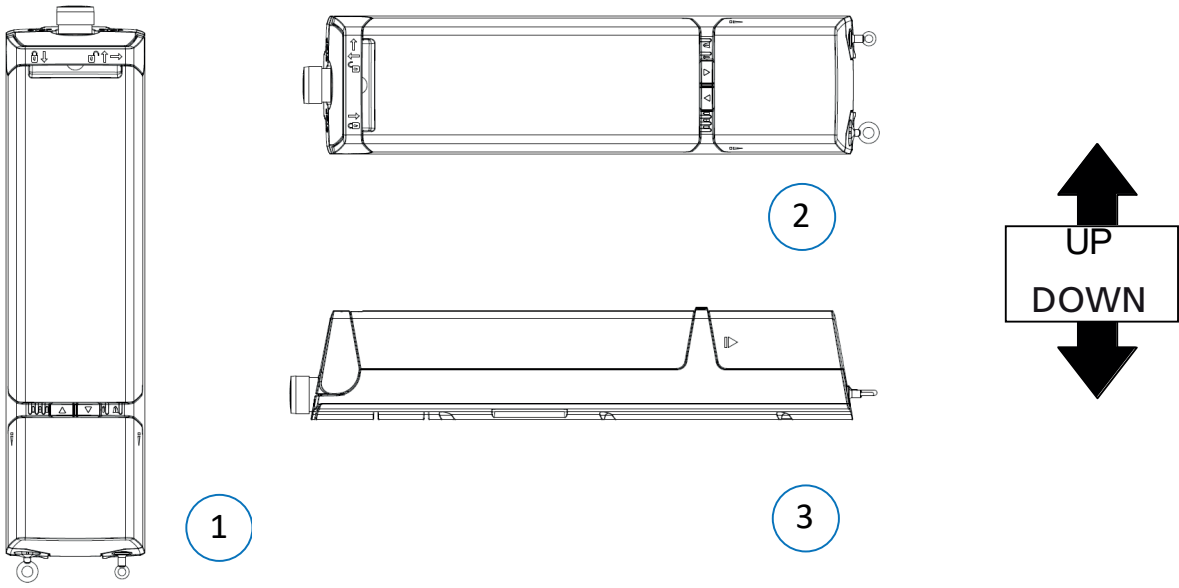
Dimension drawing



Drawing no. 1048W4000

Accessories list and item numbers	
LIFT40 lid (cable lock)	Item no.: 1048W1014
Cable hanger	Item no.: 1039W1041
Programming adaptor (to be used with Programming Box PB31001-00)	Item no.: PB31PP-00

LIFT40 mounting



LINAK® accepts no responsibility for possible errors or inaccuracies in catalogues, brochures, and other material. LINAK reserves the right to change its products without prior notice. LINAK cannot guarantee product availability and reserves the right to discontinue the sale of any product. The user is responsible for determining the suitability of LINAK products for a specific application. All sales are subject to the 'Standard Terms of Sale and Delivery', available on LINAK websites.

LINAK and the LINAK logotype are registered trademarks of LINAK A/S. All rights reserved.