

# Control Box CA10

## Data Sheet



---

## Contents

<b>Introduction.....</b>	<b>3</b>
<b>Features and options .....</b>	<b>3</b>
<b>Usage .....</b>	<b>4</b>
<b>Ordering example .....</b>	<b>5</b>
<b>System overview.....</b>	<b>6</b>
<b>Dimensions .....</b>	<b>7</b>
<b>Cables.....</b>	<b>8</b>
<b>Hand control configuration.....</b>	<b>8</b>
<b>Packing.....</b>	<b>8</b>
<b>Contacts .....</b>	<b>9</b>

## Introduction

The CA10 is a cost-efficient analogue control box developed primarily for the long-term care sector with a specific focus on homecare bed applications and is part of the LINAK Spyder™ solution. With its compact and streamlined design, it is easy to install and simple to use.

Powered from an external Switch Mode Power Supply (SMPS10), the CA10 comes with either 3 or 4 actuator channels, a hand control port and an IPX4 rating.

With a built-in unique sliding mechanism, the CA10 is designed to be easily mounted on the LA24 backrest actuator. The CA10 comes with pre-installed cables with predefined cable lengths that are specifically chosen to fit most homecare beds and is compatible with signal and power switch actuators.

The compact and streamlined system design of the CA10 promotes cost-efficiency when bed applications require a basic and easy-to-set-up-and-run solution.

## Features and options

Power supply:	SMPS10 (external power supply) 100 W power output (SMPS10) 220-240 VAC, +10%/-15% 50/60 Hz
	The Switch Mode Power Supply used in the system determines the power output characteristics
DC input from external power supply:	15-32 V
Output voltage:	15-32 V
Max. current, per channel:	6 A
Mains indicator:	No (dependent on external SMPS)
Actuator interface:	3 or 4 channels with fixed cables 6-pin Mini-Fit
Fixed cables with predefined lengths:	Ch. 1 = 200 mm (backrest) Ch. 2 = 1300 mm (Hi-Lo head) Ch. 3 = 950 mm (leg rest) Ch. 4 = 1800 mm (Hi-Lo foot) – not included in 3-motor version Power supply = 3200 mm
Hand control interface:	1 port 10-pin modular plug
Battery interface:	Not supported (dependent on external SMPS)
Stand-by power:	Approx. 0.3 W (230 V) (SMPS10)
Housing colour:	Light grey (RAL 7035)
Control concept:	FET (no relay noise)
Duty cycle:	10% - 2/18 min. on/off continuous use at 230 V Maximum power is 100 W for 80 seconds and 50 W for 40 seconds at 25 °C when used with an SMPS10
Weight:	Low weight (512 grams including cables)

Protection class:	IPX4
Housing type:	V-0, ABS, welded
Mounting:	LA24 actuator via built-in slide and snap function
Endstop:	Signal switches Power switches
Operation:	Full bridge. No channel dependency
Cable lock:	Hand control port (orange colored: RAL 2003)
Actuator compatibility	LA24 and LA27 For other actuators, please contact your local LINAK sales contact
Accessories:	Analogue common standard
Hand control compatibility:	Analogue common positive 100 mA available
SMPS compatibility	The CA10 can only be used with SMPS10

## Usage

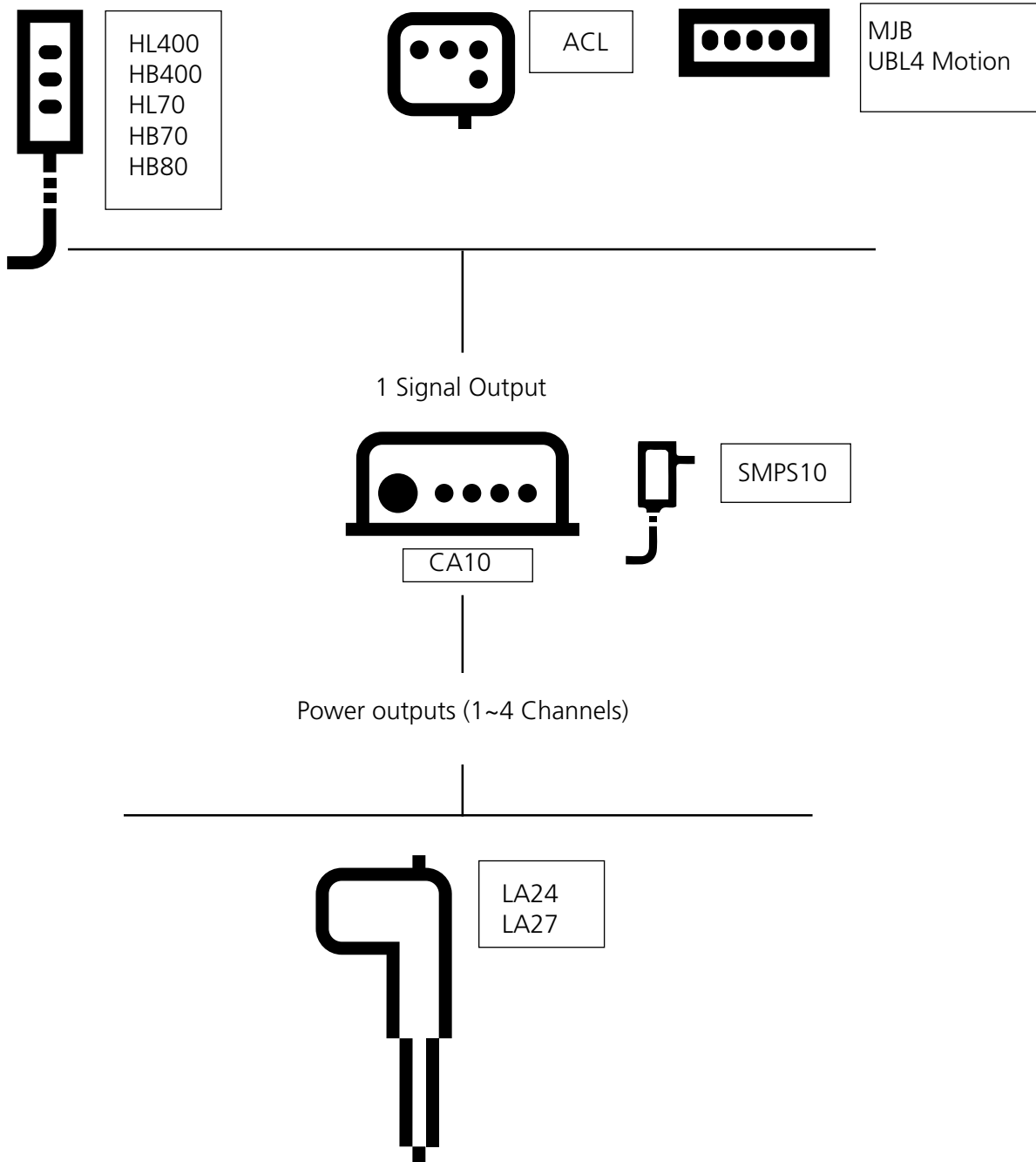
Operation temperature:	+5 °C to +40 °C
Storage temperature:	-10 °C to +50 °C
Relative humidity:	20% to 80% – non-condensing
Atmospheric pressure:	700 to 1060 hPa
Meters above sea level:	Max. 3000 meters
Flammability rating:	UL94-V0
Approvals:	IEC-60601-1 IEC-60601-1 ANSI/AAMI ES60601-1 CSA CAN/CSA-C22.2 NO. 60601-1

## Ordering example

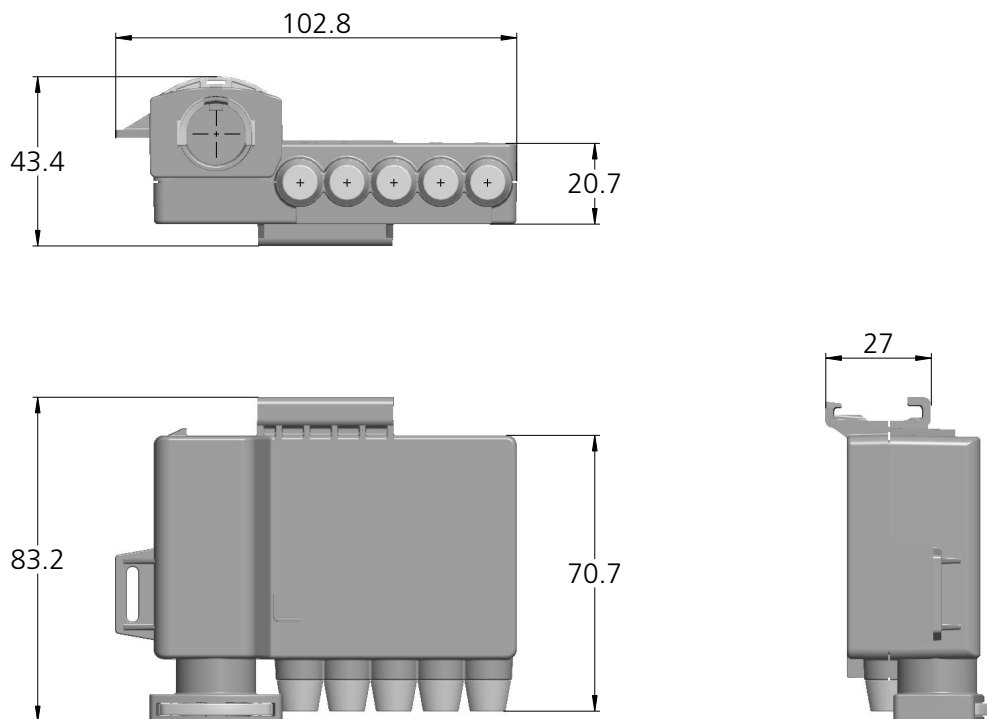
Product Type	<b>C</b>	C = Control Box
Handset Input	<b>A</b>	A = Analogue Interface
Control Box Family	<b>1</b>	1 = CA10
Colour	<b>+</b>	+ = RAL7035 light gray
H-Bridge	<b>1</b>	1 = Full Bridge
IP Degree	<b>4</b>	4 = IPX4
Number of Channels	<b>4</b>	4 = 4 Channels                      3 = 3 Channels
Maximum Output Power	<b>0</b>	0 = External Supply
Input Voltage	<b>0</b>	0 = External Supply
Software	<b>N</b>	N = None
Wireless Communication	<b>0</b>	0 = No Wireless Communication
Appliance Protection Class	<b>9</b>	9 = Class II
Option	<b>0</b>	0 = Not Used
Cable(s)	<b>2</b>	2 = Fixed Actuator Cable
Not Used	<b>0</b>	0 = Not Used

Chosen item number: **CA1+14400N09020**

# System overview



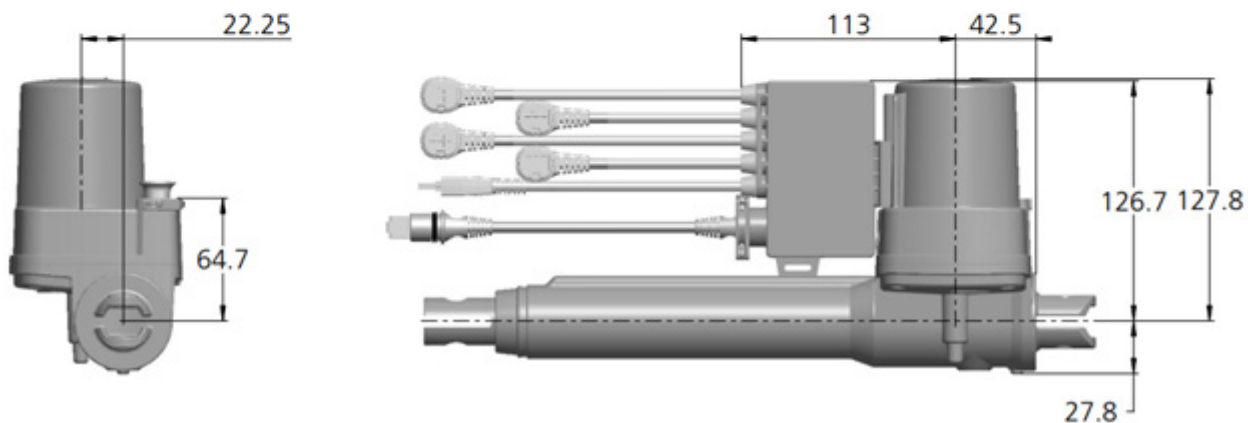
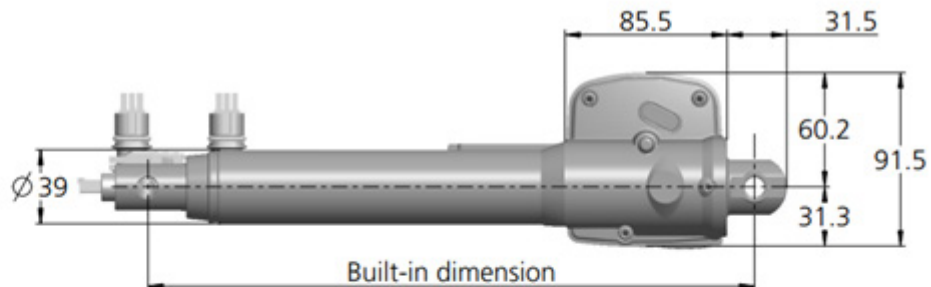
## Dimensions



Drawing no: 0835123

## Mounted on LA24

(backrest actuator)



Drawing no.: 0244108

## Cables

Motor and power cables are fixed on the CA10.

Channel 1: 200 mm (O-ring colour = black)

Channel 2: 1300 mm (O-ring colour = red)

Channel 3: 950 mm (O-ring colour = orange)

Channel 4: 1800 mm (O-ring colour = yellow) (not for 3 channel version)

Power supply: 3200 mm

Cable lock is preinstalled item no. 0835126 (RAL 2003).



## Hand control configuration

CA10 works with analogue hand controls with tactile switches (common positive).

## Packing

The products are packed (4-channel version) in full-pallet boxes with 480 pcs in each.

The minimum order quantity is 480 pcs and this corresponds to 1 pallet.

Box size: 120 x 80 x 60 cm (LWH)



# Contacts

## FACTORIES

Denmark - Headquarters  
 LINAK A/S  
 Phone: +45 73 15 15 15  
 Fax: +45 74 45 80 48  
 Fax (Sales): +45 73 15 16 13  
 Web: www.linak.com

China  
 LINAK (Shenzhen) Actuator Systems, Ltd.  
 Phone: +86 755 8610 6656  
 Phone: +86 755 8610 6990  
 Web: www.linak.cn

Slovakia  
 LINAK Slovakia s.r.o.  
 Phone: +421 51 7563 444  
 Web: www.linak.sk

Thailand  
 LINAK APAC Ltd.  
 Phone: +66 33 265 400  
 Web: www.linak.com

USA  
 LINAK U.S. Inc.  
 Americas Headquarters  
 Phone: +1 502 253 5595  
 Fax: +1 502 253 5596  
 Web: www.linak-us.com  
 www.linak-latinamerica.com

## SUBSIDIARIES

Australia  
 LINAK Australia Pty. Ltd  
 Phone: +61 3 8796 9777  
 Fax: +61 3 8796 9778  
 E-mail: sales@linak.com.au  
 Web: www.linak.com.au

Austria  
 LINAK Zweigniederlassung - Österreich (Wien)  
 Phone: +43 (1) 890 7446  
 Fax: +43 (1) 890 744615  
 E-mail: info@linak.de  
 Web: www.linak.at - www.linak.hu

Belgium  
 LINAK Actuator-Systems NV/SA  
 (Belgium & Luxembourg)  
 Phone: +32 (0)9 230 01 09  
 E-mail: beinfo@linak.be  
 Web: www.linak.be - www.fr.linak.be

Brazil  
 LINAK Do Brasil Comércio De Atuadores Ltda.  
 Phone: +55 (11) 2832 7070  
 Fax: +55 (11) 2832 7060  
 E-mail: info@linak.com.br  
 Web: www.linak.com.br

Canada  
 LINAK Canada Inc.  
 Phone: +1 502 253 5595  
 Fax: +1 416 255 7720  
 E-mail: info@linak.ca  
 Web: www.linak-us.com

Czech Republic  
 LINAK C&S s.r.o.  
 Phone: +42 058 174 1814  
 Fax: +42 058 170 2452  
 E-mail: info@linak.cz  
 Web: www.linak.cz - www.linak.sk

Denmark - International  
 LINAK International  
 Phone: +45 73 15 15 15  
 E-mail: info@linak.com  
 Web: www.linak.com

Denmark - Sales  
 LINAK Danmark A/S  
 Phone: +45 86 80 36 11  
 Fax: +45 86 82 90 51  
 E-mail: linak@linak-silkeborg.dk  
 Web: www.linak.dk

Finland  
 LINAK OY  
 Phone: +358 10 841 8700  
 E-mail: linak@linak.fi  
 Web: www.linak.fi

France  
 LINAK France E.U.R.L  
 Phone: +33 (0) 2 41 36 34 34  
 Fax: +33 (0) 2 41 36 35 00  
 E-mail: linak@linak.fr  
 Web: www.linak.fr

Germany  
 LINAK GmbH  
 Phone: +49 6043 9655 0  
 Fax: +49 6043 9655 60  
 E-mail: info@linak.de  
 Web: www.linak.de

India  
 LINAK A/S India Liaison Office  
 Phone: +91 120 4531797  
 Fax: +91 120 4786428  
 E-mail: info@linak.in  
 Web: www.linak.in

Ireland  
 LINAK UK Limited (Ireland)  
 Phone: +44 (0)121 544 2211  
 Fax: +44 (0)121 544 2552  
 +44 (0)796 855 1606 (UK Mobile)  
 +35 387 634 6554 (Rep.of Ireland Mobile)  
 E-mail: sales@linak.co.uk  
 Web: www.linak.co.uk

Italy  
 LINAK ITALIA S.r.l.  
 Phone: +39 02 48 46 33 66  
 Fax: +39 02 48 46 82 52  
 E-mail: info@linak.it  
 Web: www.linak.it

Japan  
 LINAK K.K.  
 Phone: 81-45-533-0802  
 Fax: 81-45-533-0803  
 E-mail: linak@linak.jp  
 Web: www.linak.jp

Malaysia  
 LINAK Actuators Sdn. Bhd.  
 Phone: +60 4 210 6500  
 Fax: +60 4 226 8901  
 E-mail: info@linak-asia.com  
 Web: www.linak.my

Netherlands  
 LINAK Actuator-Systems B.V.  
 Phone: +31 76 5 42 44 40 /  
 +31 76 200 11 10  
 E-mail: info@linak.nl  
 Web: www.linak.nl

New Zealand  
 LINAK New Zealand Ltd  
 Phone: +64 9580 2071  
 Fax: +64 9580 2072  
 E-mail: nzsales@linak.com.au  
 Web: www.linak.com.au

Norway  
 LINAK Norge AS  
 Phone: +47 32 82 90 90  
 E-mail: info@linak.no  
 Web: www.linak.no

Poland  
 LINAK Polska  
 LINAK Danmark A/S (Spółka Akcyjna)  
 Phone: +48 22 295 09 70 /  
 +48 22 295 09 71  
 E-mail: info@linak.pl  
 Web: www.linak.pl

Republic of Korea  
 LINAK Korea Ltd.  
 Phone: +82 2 6231 1515  
 Fax: +82 2 6231 1516  
 E-mail: info@linak.kr  
 Web: www.linak.kr

Slovakia  
 LINAK Slovakia S.R.O.  
 Phone: +421 51 7563 444  
 Web: www.linak.sk

Spain  
 LINAK Actuadores, S.L.U  
 Phone: +34 93 588 27 77  
 Fax: +34 93 588 27 85  
 E-mail: esma@linak.es  
 Web: www.linak.es

Sweden  
 LINAK Scandinavia AB  
 Phone: +46 8 732 20 00  
 Fax: +46 8 732 20 50  
 E-mail: info@linak.se  
 Web: www.linak.se

Switzerland  
 LINAK AG  
 Phone: +41 43 388 31 88  
 Fax: +41 43 388 31 87  
 E-mail: info@linak.ch  
 Web: www.linak.ch - www.fr.linak.ch  
 www.it.linak.ch

Taiwan  
 LINAK (Shenzhen) Actuator systems Ltd.  
 Taiwan Representative office  
 Phone: +886 2 272 90068  
 Fax: +886 2 272 90096  
 E-mail: sales@linak.com.tw  
 Web: www.linak.com.tw

Turkey  
 LINAK İth. İhr. San. ve Tic. A.Ş.  
 Phone: +90 312 4726338  
 Fax: +90 312 4726635  
 E-mail: info@linak.com.tr  
 Web: www.linak.com.tr

United Kingdom  
 LINAK UK Limited  
 Phone: +44 (0)121 544 2211  
 Fax: +44 (0)121 544 2552  
 E-mail: sales@linak.co.uk  
 Web: www.linak.co.uk

## DISTRIBUTORS

Argentina  
 Novotec Argentina SRL  
 Phone: 011-4303-8989 / 8900  
 Fax: 011-4032-0184  
 E-mail: info@novotecargentina.com  
 Web: www.novotecargentina.com

Colombia  
 MEM Ltda  
 Phone: +[57] (1) 334-7666  
 Fax: +[57] (1) 282-1684  
 E-mail: servicioalcliente@memlda.com.co  
 Web: www.mem.net.co

India  
 Mechatronics Control Equipments India Pvt Ltd  
 Phone: +91-44-28558484, 85  
 E-mail: bala@mechatronicscontrol.com  
 Web: www.mechatronicscontrol.com

Indonesia  
 PT. Himalaya Everest Jaya  
 Phone: +6 221 544 8956 /+6 221 544 8965  
 Fax: +6 221 619 1925  
 Fax (Sales): +6 221 619 4658  
 E-mail: hejplastic-div@centrin.net.id  
 Web: www.hej.co.id

Israel  
 NetivTech LTD  
 Phone: +972 55-2266-535  
 Fax: +972 2-9900-560  
 Email: info@NetivTech.com  
 Web: www.netivtech.com

Singapore  
 Servo Dynamics Pte Ltd  
 Phone: +65 6844 0288  
 Fax: +65 6844 0070  
 E-mail: servodynamics@servo.com.sg

South Africa  
 Industrial Specialised Applications CC  
 Phone: +27 011 466 0346  
 E-mail: gartht@isagroup.co.za  
 Web: www.isaza.co.za

United Arab Emirates  
 Mechatronics  
 Phone: +971 4 267 4311  
 Fax: +971 4 267 4312  
 E-mail: mechtron@emirates.net.ae

## Terms of use

LINAK® takes great care in providing accurate and up-to-date information on its products. However, the user is responsible for determining the suitability of LINAK products for a specific application. Due to continual development, LINAK products are subject to frequent modifications and changes. LINAK reserves the rights to conduct modifications, updates, and changes without any prior notice. For the same reason, LINAK cannot guarantee the correctness and actual status of imprinted information on its products.

LINAK uses its best efforts to fulfil orders. However, for the reasons mentioned above, LINAK cannot guarantee availability of any particular product at any given time. LINAK reserves the right to discontinue the sale of any product displayed on its website or listed in its catalogues or in other written material created and produced by LINAK, LINAK subsidiaries, or LINAK affiliates. All sales are subject to the 'Standard Terms of Sale and Delivery for LINAK A/S' available on LINAK websites. LINAK and the LINAK logotype are registered trademarks of LINAK A/S. All rights reserved.