



Attendant Control OpenBus™ Mini - ACOM Data sheet

ACOM

ACOM is the obvious control for hospital and nursing home beds where patient positioning needs careful control by medical staff. ACOM is an OpenBus™ control and offers various benefits like:

- Selective bed control with lock-out functionality for increased safety and comfort for the patient and efficiency for the nurse
- Intuitive control of up to 13 buttons and 7 LEDs allows for full control of the bed
- Easy access to critical positioning functions and correct bed position in case of an emergency.



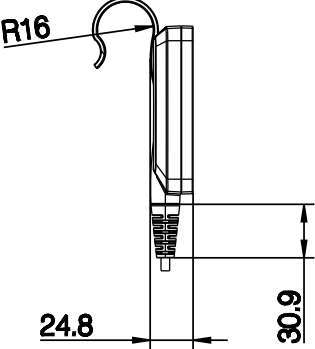
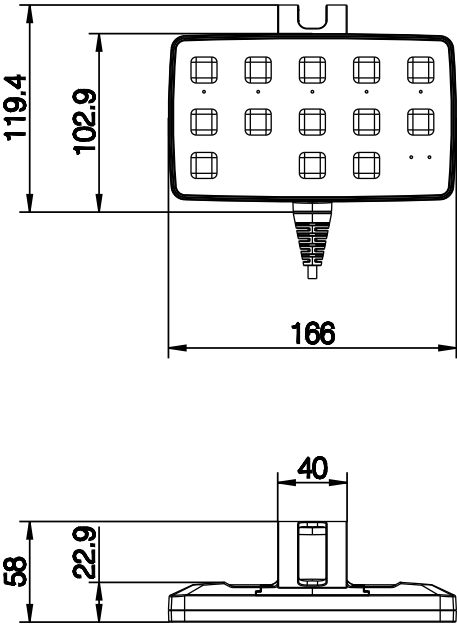
Features and options

- Hand control for up to 4 actuators
- Housing colour: Light grey, RAL 7035
- Plast type, housing: V2
- Protection class: IPX6
- Number of buttons: Up to 13
- LED indication: Up to 7 LEDs
 - LED indicates when the battery is being charged (orange)
 - LED indication for lockout functionality (orange)
 - LED indication for mains (orange)
- Dimensions: 166.0 mm x 102.9 mm
- Front cover: Standard
- Cable: Fixed coiled cable
- Button type: Tactile switches
- Attachment: Via hook, Ø32 mm

Usage:

- Operation temperature: +5 °C to + 40 °C
- Storage temperature: -10 °C to + 50 °C
- Relative humidity: 20 % to 80 % - non-condensing
- Atmospheric pressure: 700 to 1060 hPa
- Height above sea level: Max. 3000 meters
- Approvals: IEC 60601-1 Edition 3.1 (2012), IEC 60601-1-6:2010 + A1:2013
- Compatibility: Compatible with LINAK OpenBus™ control boxes, CO-generation

Dimension drawing:



ACOM

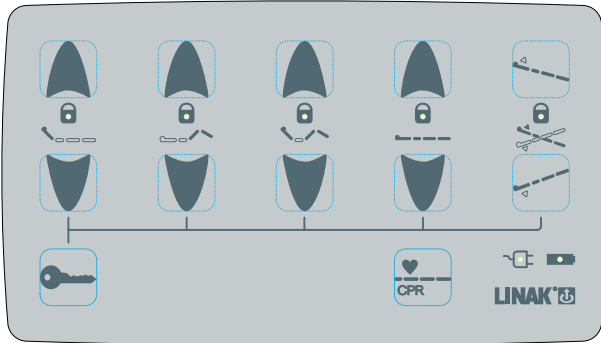
Ordering example:

| | ACOM | |
|-------------------------|------|--|
| Functionality Type: | V | V = Openbus |
| Functionality: | 0 | 0 = Maximum 13 buttons |
| IP Degree: | 6 | 6 = IPX6 |
| Button Number: | 12 | 12 = 12 Buttons 13 = 13 Buttons |
| Frontcover Item number: | 00 | 00 = Last 2 digits of frontcover item number |
| Mounting: | 1 | 1 = 32mm hook |
| Box Colour: | + | + = Light Grey, RAL7035 |
| Cable Type: | 1 | 1 = Coiled 5 wires cable with Modular Jack plug, RAL7035 |
| Cable Material: | 1 | 1 = PU |
| Cable Length: | 0500 | 0500 = 500mm (1500mm straight+500mm coiled+150mm straight) |

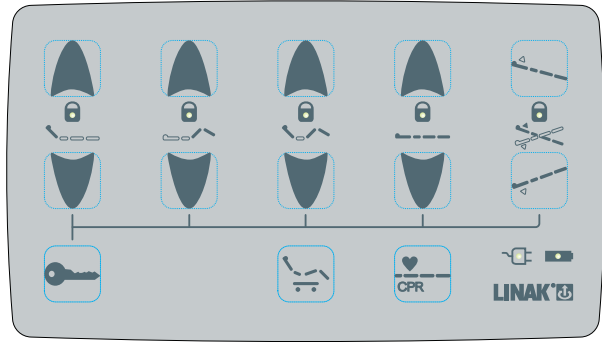
Chosen item number: ACOMV0612001+110500

ACOM front covers:

Item number: 00ACOM1200



Item number: 00ACOM1300



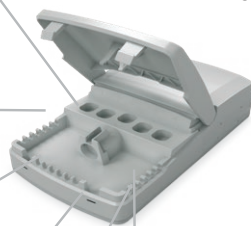
System overview:

Battery -
e.g. BA21



Actuator -
e.g. LA40

Control box CO-generation



ACOM



Hand control



MJB



Terms of use

The user is responsible for determining the suitability of LINAK products for specific application. LINAK takes great care in providing accurate and up-to-date information on its products.

However, due to continuous development in order to improve its products, LINAK products are subject to frequent modifications and changes without prior notice. Therefore, LINAK cannot guarantee the correct and actual status of said information on its products.

While LINAK uses its best efforts to fulfill orders, LINAK cannot, for the same reasons as mentioned above, guarantee the availability of any particular product. Therefore, LINAK reserves the right to discontinue the sale of any product displayed on its website or listed in its catalogues or other written material drawn up by LINAK.

All sales are subject to the Standard Terms of Sale and Delivery for LINAK. For a copy hereof, please contact LINAK.