



Attendant Control Lock ACL Data sheet

ACL

The ACL (Attendant Control Lock) box is a one turn button box for various applications where the patient positioning must be carefully controlled by the medical staff.

The ACL disconnects all functions on the hand control either by means of turn button or turn key.

Benefits when using ACL:

- No unintended operation of actuators
- Backward compatible, add-on
- Extended safety through "double click" function



Features and options:

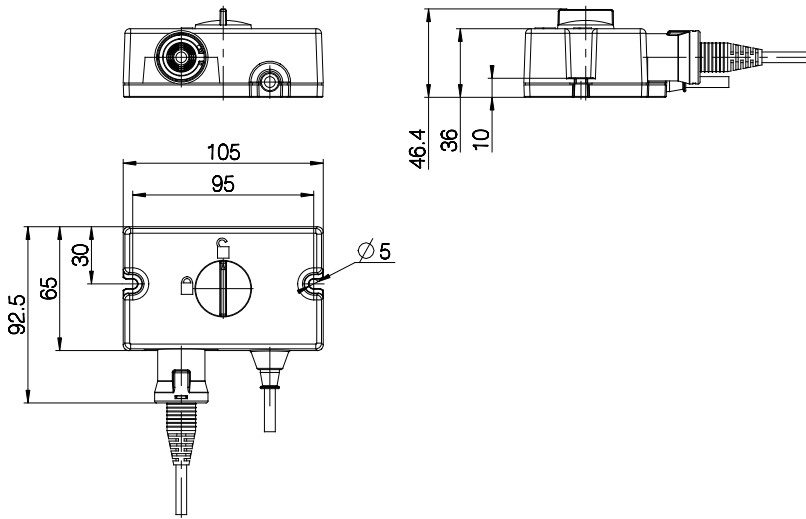
- Disconnects all channels in connection with CB6
- Functional and compact design
- High-strength plastic housing protects the electronics
- Protection class: IPX4
- 805 mm straight cable (only) as standard
- Available in light grey (RAL 7035) or dark grey (RAL 7016)
- Available with front:
 - ACL standard (dark grey or light grey)
 - ACL lock key (dark grey)
- Without front foil - plastic integrated padlock symbols
- ESF - Electronic Safety Function - especially for foot switch operation in connection with certain types of CB9 and CB12 (DIN-plug)

Usage:

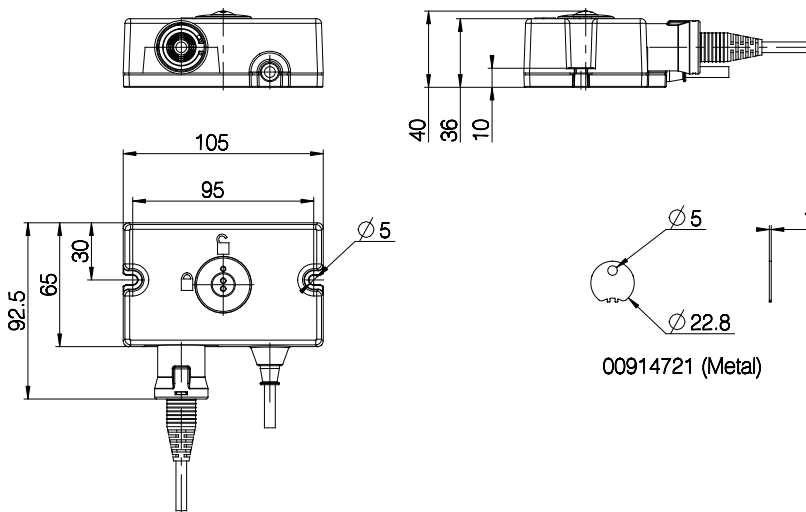
- Connection with CB9 and CB12 (DIN-plug) (always serial connection)
- Approvals: IEC 60601-1:2005
ANSI/AAMI ES60601-1 (2005)
CAN/CSA-C22.2 No. 60601-1 (2008)

Dimension (mm):

ACL standard

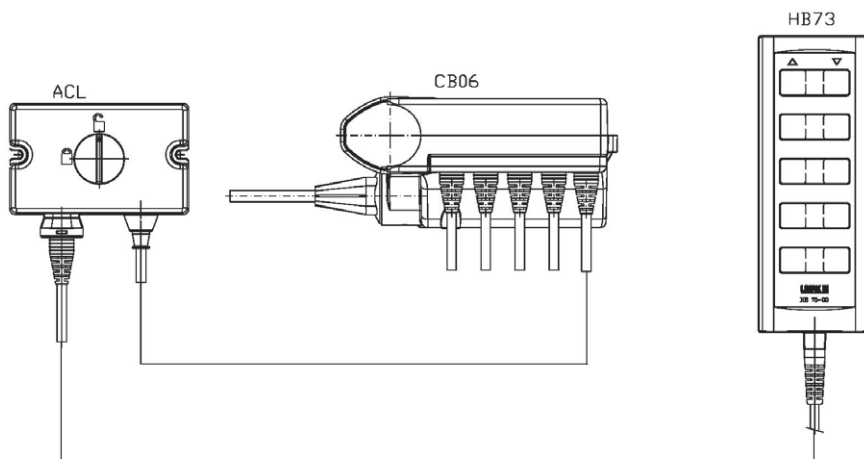


ACL lock key



Drawing no.: 911100

Combination examples for ACL:



Drawing no.: ACL_CB06001A

ACL

Ordering example:

AC	L	4	0	30	00	+	8	0805	
									Cable length: 0805 = Standard length 9 core
									Cable type: 8 = Straight 9 core DIN grey RAL 7035 A = Straight 9 core Modular Jack (for CB6) RAL 7016
									Box colour: = Dark grey - RAL 7016 (only with modular Jack) + Grey - RAL 7035 (only with 9 core DIN)
									Not used
									Functionality: 30 = DIN (CB9) 31 = DIN (CB9, CB12) * 35 = Modular jack (CB6)
									Activation: 0 ACL Standard 1 ACL lock key (dark grey)
									IP Degree: 4 IPX4
									Plastic case: L = Micro - Attendant Control Lock.
									Type: ACL

* Only ESF:

- Only CB9 standard: CB9..AC ; CB9..AD; CB9..AE
- Only CB12 standard: CB120; CB12E; CB12H
- When compatibility with existing applications is wanted (backward compatibility), please contact LINAK A/S
- ACL lock key to be ordered separately - article no. 00914721 (metal)

Terms of use

The user is responsible for determining the suitability of LINAK products for specific application. LINAK takes great care in providing accurate and up-to-date information on its products. However, due to continuous development in order to improve its products, LINAK products are subject to frequent modifications and changes without prior notice. Therefore, LINAK cannot guarantee the correct and actual status of said information on its products. While LINAK uses its best efforts to fulfil orders, LINAK cannot, for the same reasons as mentioned above, guarantee the availability of any particular product. Therefore, LINAK reserves the right to discontinue the sale of any product displayed on its website or listed in its catalogues or other written material drawn up by LINAK. All sales are subject to the Standard Terms of Sale and Delivery for LINAK. For a copy hereof, please contact LINAK.