

USB-A Power Adapter Data Sheet

Contents

Introduction.....	3
Features and options.....	3
Usage	4
Ordering example	4
System example.....	5
Dimensions.....	6

Introduction



The USB-A Power Adapter can be used for charging devices, such as smart phones, tablets and other products which require a USB-A connection. It can deliver up to 7.5 W constant power and is applicable for beds and other healthcare applications within hospitals, nursing homes and homecare.

The USB-A Power Adapter comes with an optional power port to connect a LINAK battery or other products that require a Power Communication Port (PCP 2.0) connection.

- USB-A port for charging of devices with 7.5 W constant power output
- Optional PCP for extra power connection
- Connected to LINAK control box PCP 2.0
- Compact design with simple mounting

Features and options

Power:	Power is available in the USB-A connector when the application is connected to mains power. The USB-A power is disabled when the application is battery-powered.
Power output:	7.5 W (5 V +/- 5%, 1.5 A)
USB BC 1.2 Specification:	USB BC 1.2 Specification. Dedicated Charging Ports (DCP)
Interface:	PCP 2.0
Colour:	Light grey, RAL 7035
Protection Class.	IPX4
Two variants:	USB-A with PCP 2.0 connector (Item no. USBAMB04-1000) USB-A without PCP 2.0 connector (Item no. USBAM004-1000)
Mounting:	Compact and functional design which allows easy mounting with two screws, $\varnothing = 4.5$ mm (see mounting section for more info and mounting example)
Physical dimensions: (envelope)	H x W x L = 16.6 x 35 x 89 mm
Cable lengths:	Adapter to USB-A socket = 1000 mm length (see dimensions for details)
Cable types:	PVC cable with 4 wires for PCP 2.0 control boxes
Battery drain prevention:	Control box ensures that USB-A Power Adapter is only active when the system is on mains.
Compatibility:	LINAK control boxes CO61MK2, CO65, CO71. Control box software must be configured for non-sleep mode for the USB-A power adapter to function.
Optional PCP connector:	Compatible with all LINAK batteries with PCP 2.0 and other accessories with PCP 2.0.

Usage

Operation temperature:	5 °C to 40 °C
Storage temperature:	-10 °C to +50 °C
Relative humidity:	20% to 80% – non-condensing
Atmospheric pressure:	700 to 1060 hPa
Meters above sea level:	Max. 3000 meters
Latex-free:	Yes
Approvals:	IEC60601-1 UL

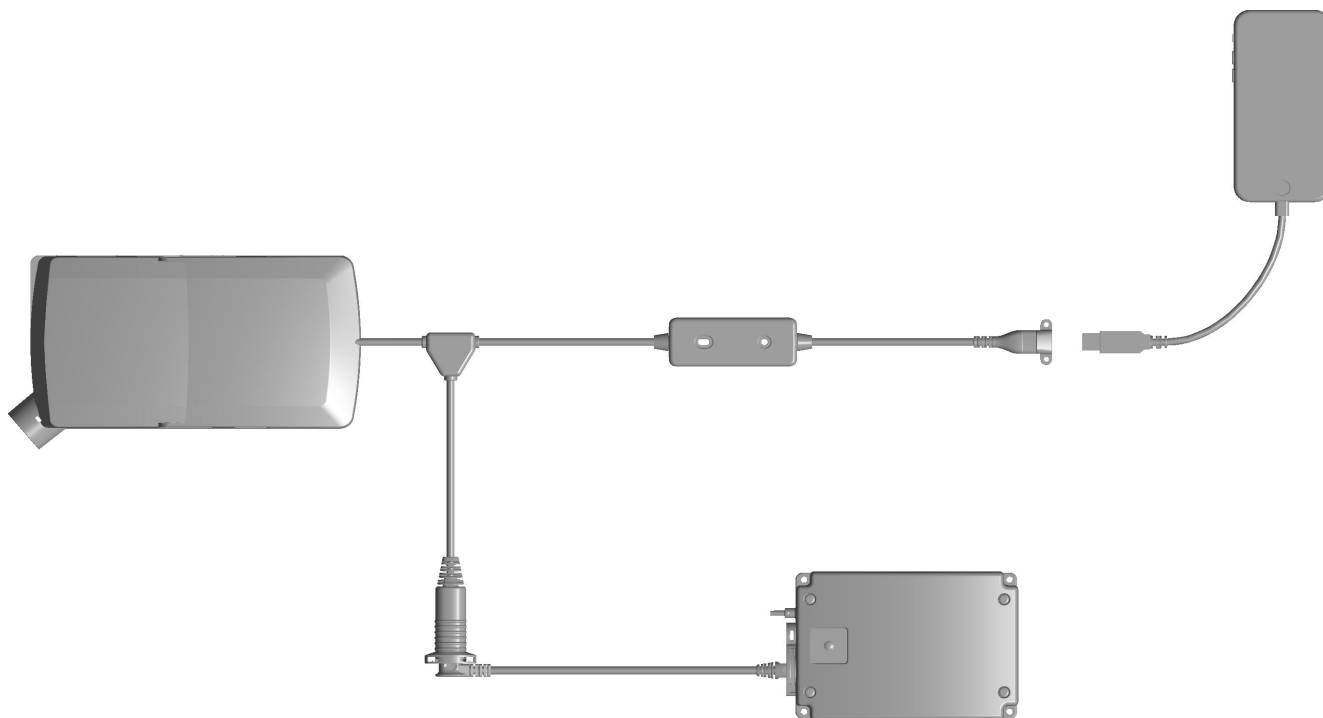
Ordering example

Accessory	USB	
Type	A	A = USB-A
Business area	M	M = Medical applications
Battery / PCP	0	0 = No Battery / PCP B = Battery / PCP
Power	0	0 = 7.5W (Control Box Limited)
IP	4	4 = IPX4
Colour:	-	- = Grey (RAL7035)
Adapter to USB-A outout cable Length	1000	1000 = 1000 mm length

Chosen item number: USBAM004-1000

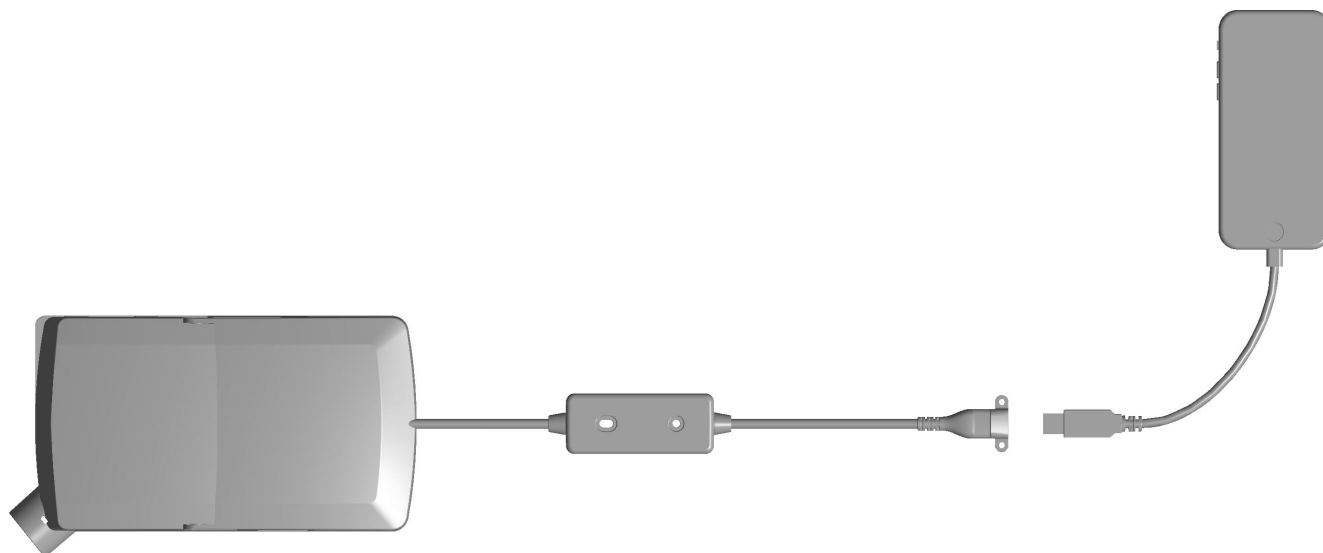
System example

With PCP connector (item no. USBAMB04-1000)



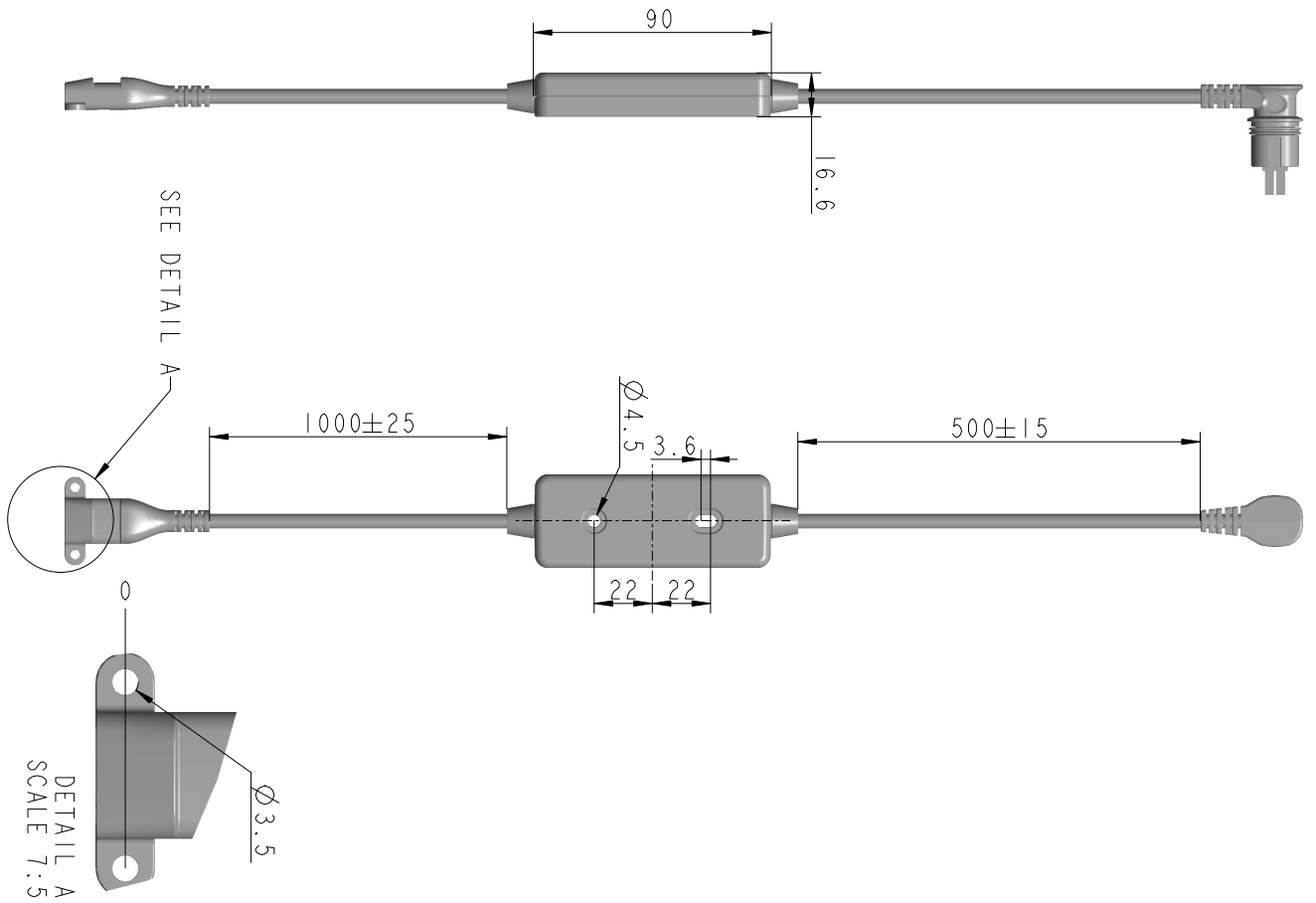
Drawing number: 0835111

Without PCP (item no. USBAM004-1000)

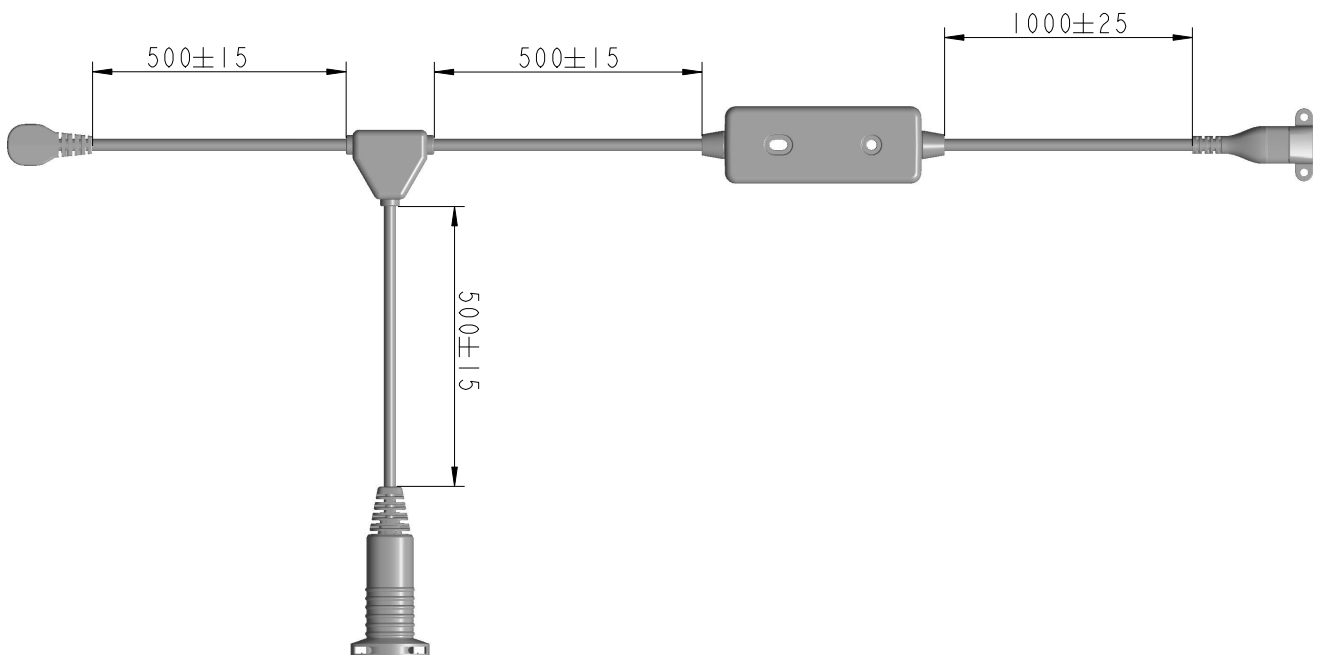


Drawing number: 0835110

Dimensions



Drawing number: 0835112



Drawing number: 0835113

FACTORIES

DENMARK - HEADQUARTERS
LINAK A/S
PHONE: +45 73 15 15 15
FAX: +45 74 45 80 48
FAX (SALES): +45 73 15 16 13
WWW.LINAK.COM

CHINA
LINAK (SHENZHEN) ACTUATOR SYSTEMS, LTD.
PHONE: +86 755 8610 6656
PHONE: +86 755 8610 6990
WWW.LINAK.CN

SLOVAKIA
LINAK SLOVAKIA S.R.O.
PHONE: +421 51 7563 444
WWW.LINAK.SK

THAILAND
LINAK APAC LTD.
PHONE: +66 33 265 400
WWW.LINAK.COM

USA
LINAK U.S. INC.
AMERICAS HEADQUARTERS
PHONE: +1 502 253 5595
FAX: +1 502 253 5596
WWW.LINAK-US.COM
WWW.LINAK-LATINAMERICA.COM

SUBSIDIARIES

Australia
LINAK Australia Pty. Ltd
Phone: +61 3 8796 9777
Fax: +61 3 8796 9778
E-mail: sales@linak.com.au
www.linak.com.au

Austria
LINAK Zweigniederlassung - Österreich (Wien)
Phone: +43 (1) 890 7446
Fax: +43 (1) 890 744615
E-mail: info@linak.de
www.linak.at - www.linak.hu

Belgium
LINAK Actuator-Systems NV/SA
(Belgium & Luxembourg)
Phone: +32 (0)9 230 01 09
E-mail: beinfo@linak.be
www.linak.be - www.fr.linak.be

Brazil
LINAK Do Brasil Comércio De Atuadores Ltda.
Phone: +55 (11) 2832 7070
Fax: +55 (11) 2832 7060
E-mail: info@linak.com.br
www.linak.com.br

Canada
LINAK Canada Inc.
Phone: +1 502 253 5595
Fax: +1 416 255 7720
E-mail: info@linak.ca
www.linak-us.com

Czech Republic
LINAK C&S s.r.o.
Phone: +42 058 174 1814
Fax: +42 058 170 2452
E-mail: info@linak.cz
www.linak.cz - www.linak.sk

Denmark - International
LINAK International
Phone: +45 73 15 15 15
E-mail: info@linak.com
www.linak.com

Denmark - Sales
LINAK DANMARK A/S
Phone: +45 86 80 36 11
Fax: +45 86 82 90 51
E-mail: linak@linak-silkeborg.dk
www.linak.dk

Finland
LINAK OY
Phone: +358 10 841 8700
E-mail: linak@linak.fi
www.linak.fi

France
LINAK FRANCE E.U.R.L.
Phone: +33 (0) 2 41 36 34 34
Fax: +33 (0) 2 41 36 35 00
E-mail: linak@linak.fr
www.linak.fr

Germany
LINAK GmbH
Phone: +49 6043 9655 0
Fax: +49 6043 9655 60
E-mail: info@linak.de
www.linak.de

India
LINAK A/S India Liaison Office
Phone: +91 120 4531797
Fax: +91 120 4786428
E-mail: info@linak.in
www.linak.in

Ireland
LINAK UK Limited (Ireland)
Phone: +44 (0)121 544 2211
Fax: +44 (0)121 544 2552
+44 (0)796 855 1606 (UK Mobile)
+35 387 634 6554
(Republic of Ireland Mobile)
E-mail: sales@linak.co.uk
www.linak.co.uk

Italy
LINAK ITALIA S.r.l.
Phone: +39 02 48 46 33 66
Fax: +39 02 48 46 82 52
E-mail: info@linak.it
www.linak.it

Japan
LINAK K.K.
Phone: 81-45-533-0802
Fax: 81-45-533-0803
E-mail: linak@linak.jp
www.linak.jp

Malaysia
LINAK Actuators Sdn. Bhd.
Phone: +60 4 210 6500
Fax: +60 4 226 8901
E-mail: info@linak-asia.com
www.linak.my

Netherlands
LINAK Actuator-Systems B.V.
Phone: +31 76 5 42 44 40 /
+31 76 200 11 10
E-mail: info@linak.nl
www.linak.nl

New Zealand
LINAK New Zealand Ltd
Phone: +64 9580 2071
Fax: +64 9580 2072
E-mail: nzsales@linak.com.au
www.linak.com.au

Norway
LINAK Norge AS
Phone: +47 32 82 90 90
E-mail: info@linak.no
www.linak.no

Poland
LINAK Polska
LINAK Danmark A/S (Spółka Akcyjna)
Phone: +48 22 295 09 70 /
+48 22 295 09 71
E-mail: info@linak.pl
www.linak.pl

Republic of Korea
LINAK Korea Ltd.
Phone: +82 2 6231 1515
Fax: +82 2 6231 1516
E-mail: info@linak.kr
www.linak.kr

Slovakia
LINAK SLOVAKIA S.R.O.
Phone: +421 51 7563 444
www.linak.sk

Spain
LINAK Actuadores, S.L.U.
Phone: +34 93 588 27 77
Fax: +34 93 588 27 85
E-mail: esma@linak.es
www.linak.es

Sweden
LINAK Scandinavia AB
Phone: +46 8 732 20 00
Fax: +46 8 732 20 50
E-mail: info@linak.se
www.linak.se

Switzerland
LINAK AG
Phone: +41 43 388 31 88
Fax: +41 43 388 31 87
E-mail: info@linak.ch
www.linak.ch - www.fr.linak.ch
www.it.linak.ch

Taiwan
LINAK (Shenzhen) Actuator systems Ltd.
Taiwan Representative office
Phone: +886 2 272 90068
Fax: +886 2 272 90096
E-mail: sales@linak.com.tw
www.linak.com.tw

Turkey
LINAK İth. İhr. San. ve Tic. A.Ş.
Phone: +90 312 4726338
Fax: +90 312 4726635
E-mail: info@linak.com.tr
www.linak.com.tr

United Kingdom
LINAK UK Limited
Phone: +44 (0)121 544 2211
Fax: +44 (0)121 544 2552
E-mail: sales@linak.co.uk
www.linak.co.uk

DISTRIBUTORS

Argentina
NOVOTEC ARGENTINA SRL
Phone: 011-4303-8989 / 8900
Fax: 011-4032-0184
E-mail: info@novotecargentina.com
www.novotecargentina.com

Colombia
MEM Ltda
Phone: +[57] (1) 334-7666
Fax: +[57] (1) 282-1684
E-mail: servicioalcliente@mem Ltda.com.co
www.mem.net.co

India
Mechatronics Control Equipments India Pvt Ltd
Phone: +91-44-28558484, 85
E-mail: bala@mechatronicscontrol.com
www.mechatronicscontrol.com

Indonesia
PT. HIMALAYA EVEREST JAYA
Phone: +6 221 544 8956,
+6 221 544 8965
Fax: +6 221 619 1925
Fax (Sales): +6 221 619 4658
E-mail: hejplastic-div@centrin.net.id
www.hej.co.id

Israel
NetivTech LTD
Phone: +972 55-2266-535
Fax: +972 2-9900-560
Email: info@NetivTech.com
www.netivtech.com

Singapore
Servo Dynamics Pte Ltd
Phone: +65 6844 0288
Fax: +65 6844 0070
E-mail: servodynamics@servo.com.sg

South Africa
Industrial Specialised Applications CC
Phone: +27 011 466 0346
E-mail: gartht@isagroup.co.za
www.isaza.co.za

United Arab Emirates
Mechatronics
Phone: +971 4 267 4311
Fax: +971 4 267 4312
E-mail: mechtron@emirates.net.ae

Terms of use

LINAK® takes great care in providing accurate and up-to-date information on its products. However, the user is responsible for determining the suitability of LINAK products for a specific application. Due to continual development, LINAK products are subject to frequent modifications and changes. LINAK reserves the rights to conduct modifications, updates, and changes without any prior notice. For the same reason, LINAK cannot guarantee the correctness and actual status of imprinted information on its products.

LINAK uses its best efforts to fulfil orders. However, for the reasons mentioned above, LINAK cannot guarantee availability of any particular product at any given time. LINAK reserves the right to discontinue the sale of any product displayed on its website or listed in its catalogues or in other written material created and produced by LINAK, LINAK subsidiaries, or LINAK affiliates. All sales are subject to the 'Standard Terms of Sale and Delivery for LINAK A/S' available on LINAK websites. LINAK and the LINAK logotype are registered trademarks of LINAK A/S. All rights reserved.



WE IMPROVE YOUR LIFE