

TRANSFORMER TR6

Features:

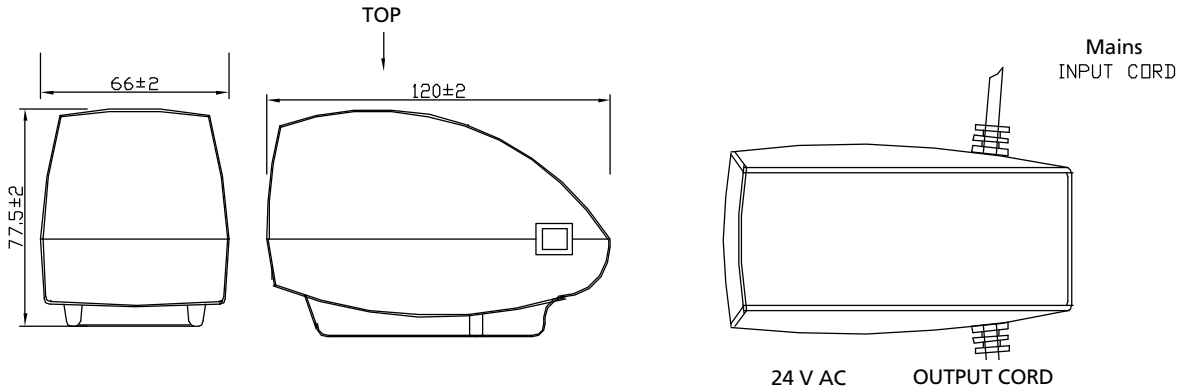
- *Compatible with control box CB7 and LA27 with CS27*
- *Minimal power consumption and low EMC (output voltage 24V AC)*
- *Output 40 VA*
- *Ambient temperature: +5° to +40°C*
- *Protection class: IP 00*
- *Colour: black*
- *Duty cycle: Max. 2 min. in use followed by 18 min. not in use*
- *Integrated cable between the control box and transformer. The cable is not exchangeable and equipped with a 24 V power jack plug (between CB7 and TR6)*



The TR6 is a separate external power supply box, which can be wall-mounted or placed on the floor.

The TR6 operates via a 24V power cable.

Dimensions:



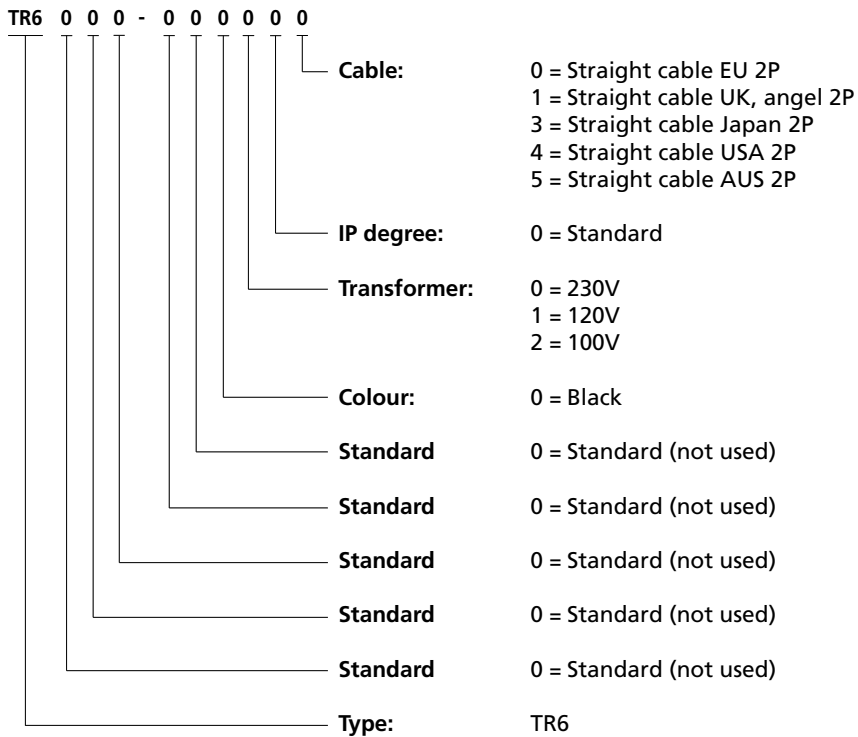
TR6 has a non-resettable thermal fuse. It is not possible to replace the fuse.

Cable length:

Item no	24 V AC Output cord Cable length	Mains input cord Cable length
TR6000-0000 00	3500	1500
TR6000-0000 01	3500	1500
TR6000-0000 05	3500	1500
TR6000-0001 04	640	3000
TR6000-0002 03	3500	2000

TR6

Ordering example:



Terms of use

The user is responsible for determining the suitability of LINAK products for specific application. LINAK takes great care in providing accurate and up-to-date information on its products. However, due to continuous development in order to improve its products, LINAK products are subject to frequent modifications and changes without prior notice. Therefore, LINAK cannot guarantee the correct and actual status of said information on its products. While LINAK uses its best efforts to fulfil orders, LINAK cannot, for the same reasons as mentioned above, guarantee the availability of any particular product. Therefore, LINAK reserves the right to discontinue the sale of any product displayed on its website or listed in its catalogues or other written material drawn up by LINAK. All sales are subject to the Standard Terms of Sale and Delivery for LINAK. For a copy hereof, please contact LINAK.