



PJB4 - Port Junction Box 4 Data sheet

PJB4 - Port Junction Box 4

The LINAK® Power Junction Box PJB4 branches one PCP port out to 3 ports. The PJB4 can be used with all control boxes equipped with a PCP port.

The PJB4 can connect up to 3 batteries (3 x BA21), for instance in advanced mobile applications that need high battery capacity. It may also be used to connect other PCP devices to the control box system.

The PJB4 is IPX6 Washable DURA™.



Features and options

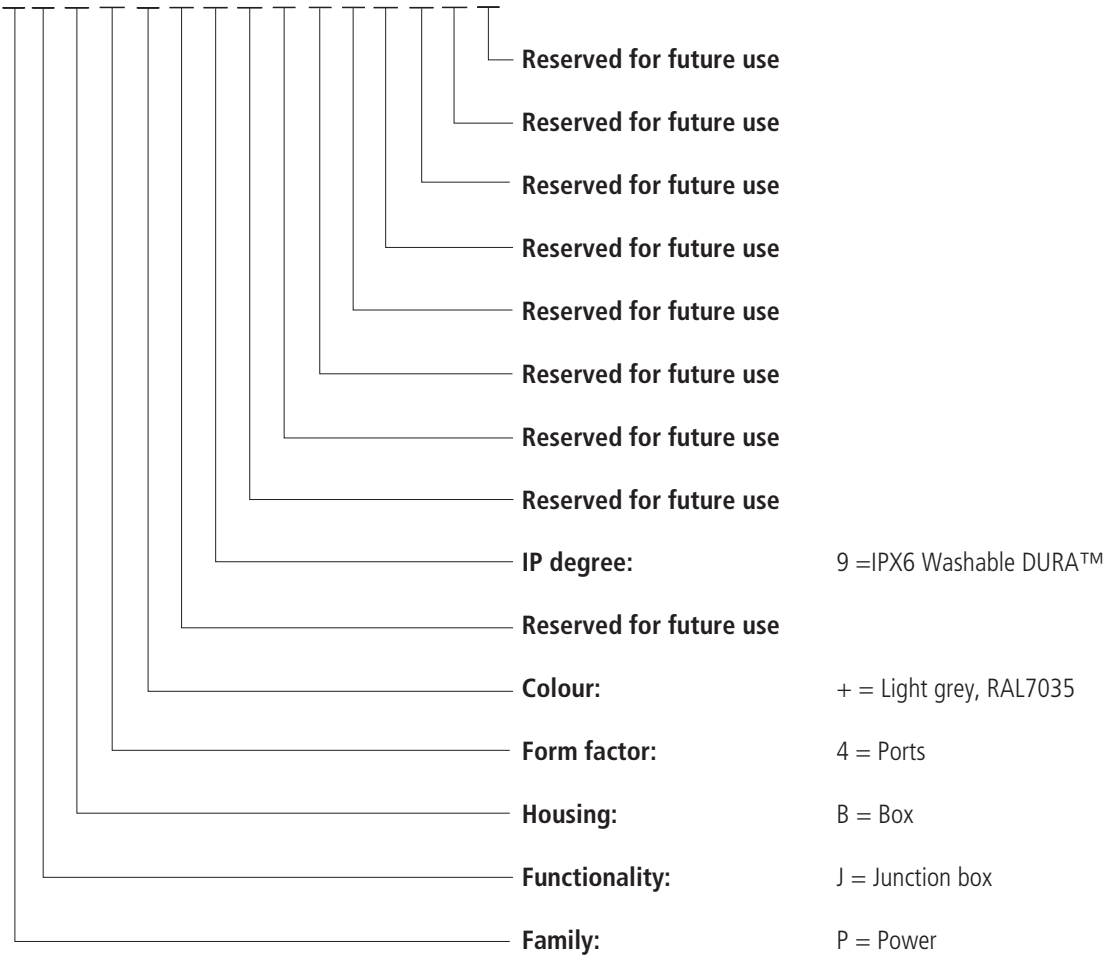
- PCP version: For use with PCP 2.0 systems
- Colour: Light grey (RAL 7035)
- Flammability rating: V-0, PP (chemical-resistant, sealed-for-life housing)
- IP-Rating: IPX6 Washable DURA™
- Max. current: 10 A
- Overload protection: Fuse
- Cable lock: Integrated in lid
- Mounting: Compatible with a wide range of mounting brackets

Usage

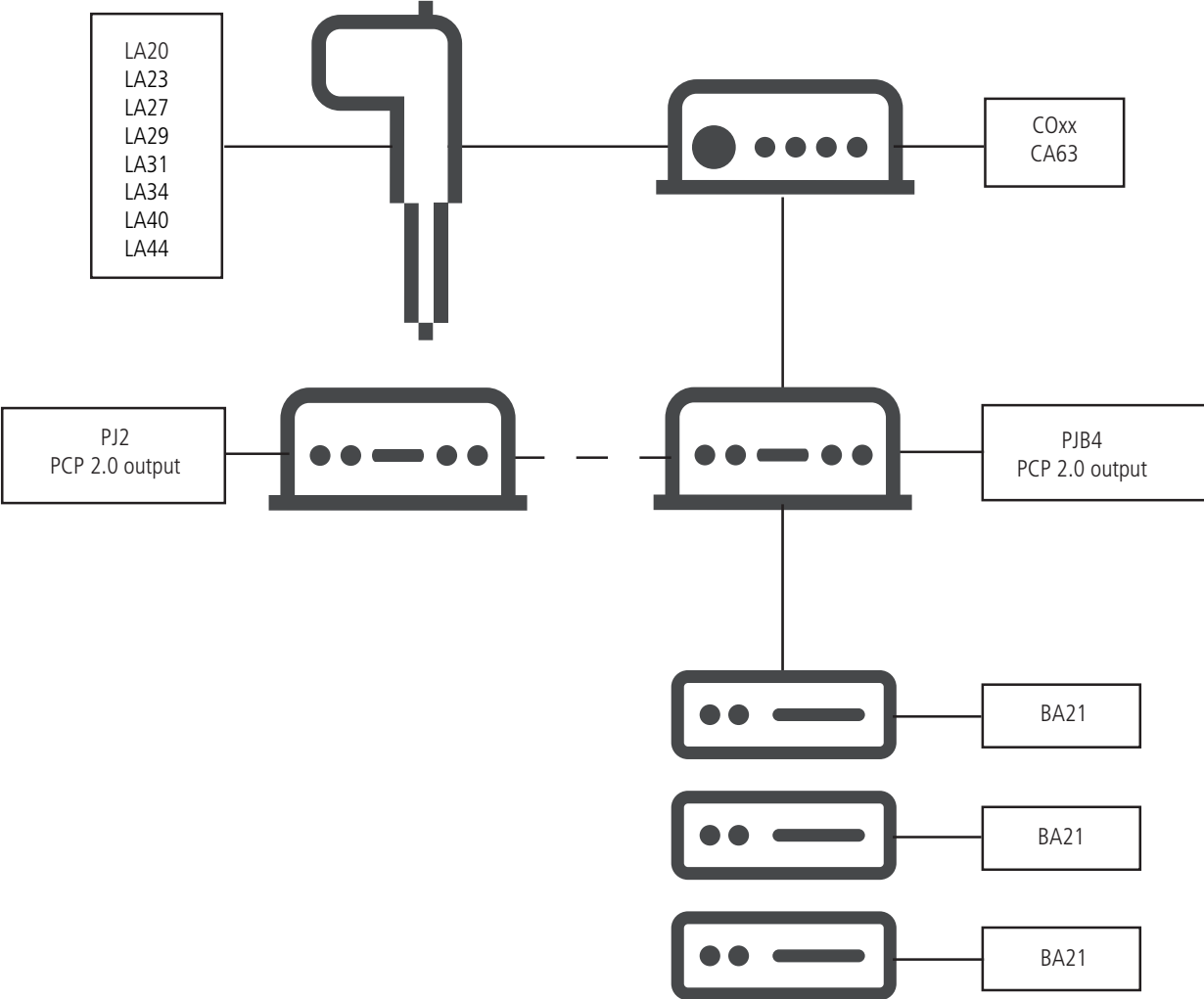
- Operating temperature: +5 °C to +40 °C
- Storage temperature: -10 °C to +50 °C
- Relative humidity: 20% - 80% - not condensing
- Atmospheric pressure: 700 to 1060 hPa
- Meters above sea level: Max. 3000 meters
- Approvals : IEC60601-1
ANSI/AAMI ES60601-1
CSA CAN/CSA-C22.2 NO. 60601-1

Ordering example
PJB4

P J B 4 + 0 9 0 0 0 0 0 0 0 0

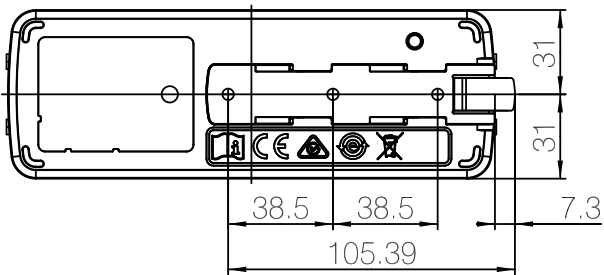
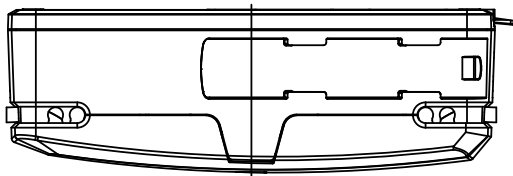
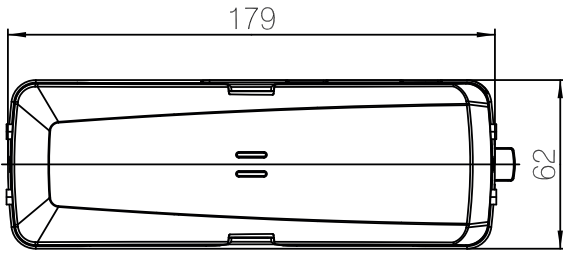
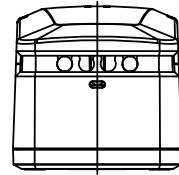
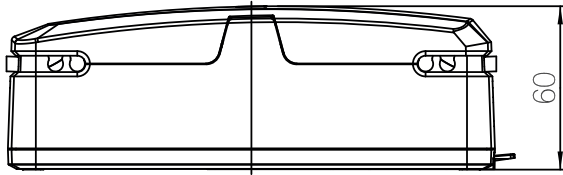


System overview

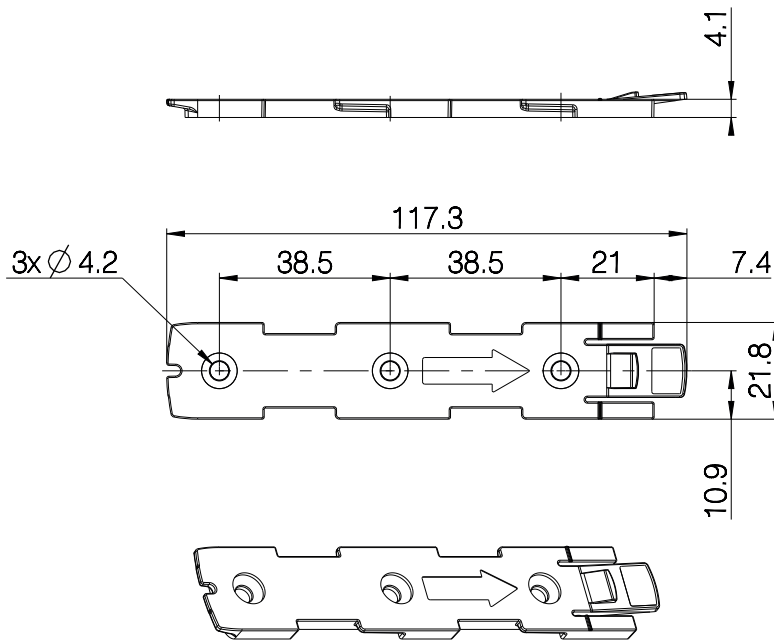


Remember to order 4-pole cable for PBJ4 to battery/control box.

Dimension drawings
PJB4

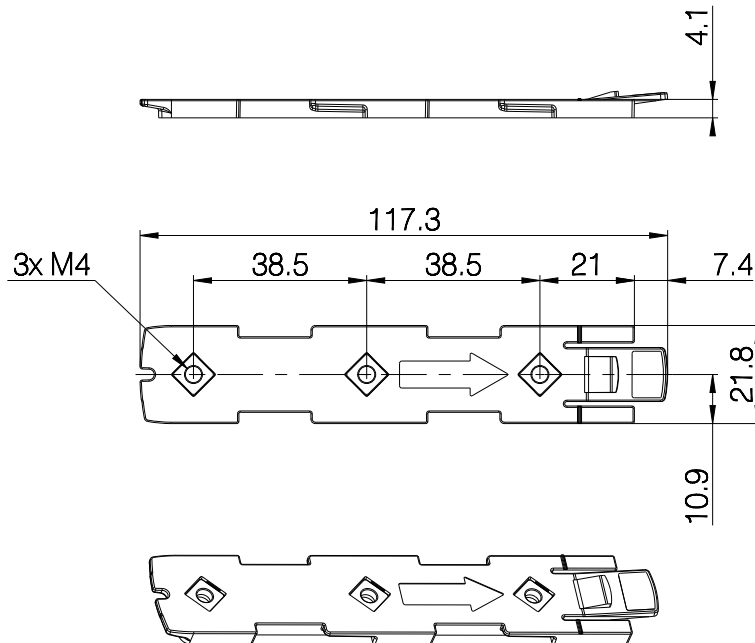


Mounting bracket (frame flat) - article No. 1015W1001:



Drawing No.: 1015W4001

Mounting bracket (frame flat) w/M4 nuts - article No. 1015W9009:



Drawing No.: 1015W4009

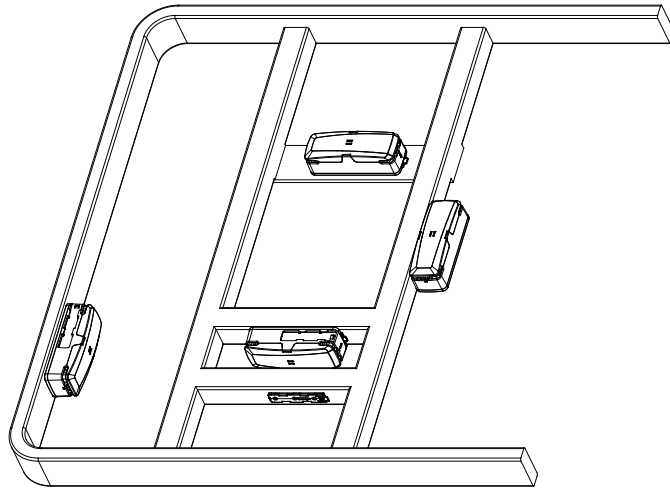
It is recommended to mount the PJB4 in a position that allows water to escape.

Recommended torque: 0.6Nm +/-0.1

The bracket can be mounted to the bed frame or any other application by following one of these procedures:

- M5 machine screw with flat washer to be fixed through bracket with nut on the rear side
- Self-tapping screw to be placed through bracket and onto the frame

Mounted on frame



Drawing No.: 1038W4003

Terms of use

The user is responsible for determining the suitability of LINAK products for specific application. LINAK takes great care in providing accurate and up-to-date information on its products. However, due to continuous development in order to improve its products, LINAK products are subject to frequent modifications and changes without prior notice. Therefore, LINAK cannot guarantee the correct and actual status of said information on its products. While LINAK uses its best efforts to fulfil orders, LINAK cannot, for the same reasons as mentioned above, guarantee the availability of any particular product. Therefore, LINAK reserves the right to discontinue the sale of any product displayed on its website or listed in its catalogues or other written material drawn up by LINAK. All sales are subject to the Standard Terms of Sale and Delivery for LINAK. For a copy hereof, please contact LINAK.