



Modular Junction Box - MJB8

Data sheet

MJB8

The MJB8 modular junction box is a central unit in the "Intelligent Care Bed", connecting various intelligent accessories, such as the Out Of Bed and WET detection, and sending notifications via a range of optional gateways to the user (i.e. caregiver).

The MJB8 needs an external user interface for individual accessory user settings.

The MJB8 is an OpenBus™ product which is intended for use with Intelligent Care Solution systems in homecare beds, nursing home beds and hospital beds.



Features and options:

- Mounting: Easy mounting due to compact and functional design
- Colour: Light grey RAL 7035
- IP rating: IPX6 or IPX6 Washable DURA™
- Cable connection: Via modular plug cable, 6 wires only, to OpenBus™ control boxes (cable must be ordered separately)
- Connection and control of:
 - Bed Side Light (BSL)
 - Under Bed Light (UBL)
 - External Light (EXL)
 - WET sensor (WET)
 - Out Of Bed sensor (OOB)
 - 2-4 Bed Side Rails (BSR)
 - Gateway (GW)

Usage:

- Compatibility: OpenBus control boxes
- Operation temperature: +5 °C to +40 °C
- Storage temperature: -10 °C to +50 °C
- Relative humidity: 20% to 90% at 30 °C – not condensing
- Atmospheric pressure: 700 to 1060 hPa
- Meters above sea level: Max. 2000 meters
- Approvals:
 - IEC60601-1:2005 3rd edition
 - ANSI/AAMI ES60601-1:2005 3rd edition
 - CAN/CSA-22.2 No 60601-1:2008
- OpenBus: Supports OpenBus 1.1 only

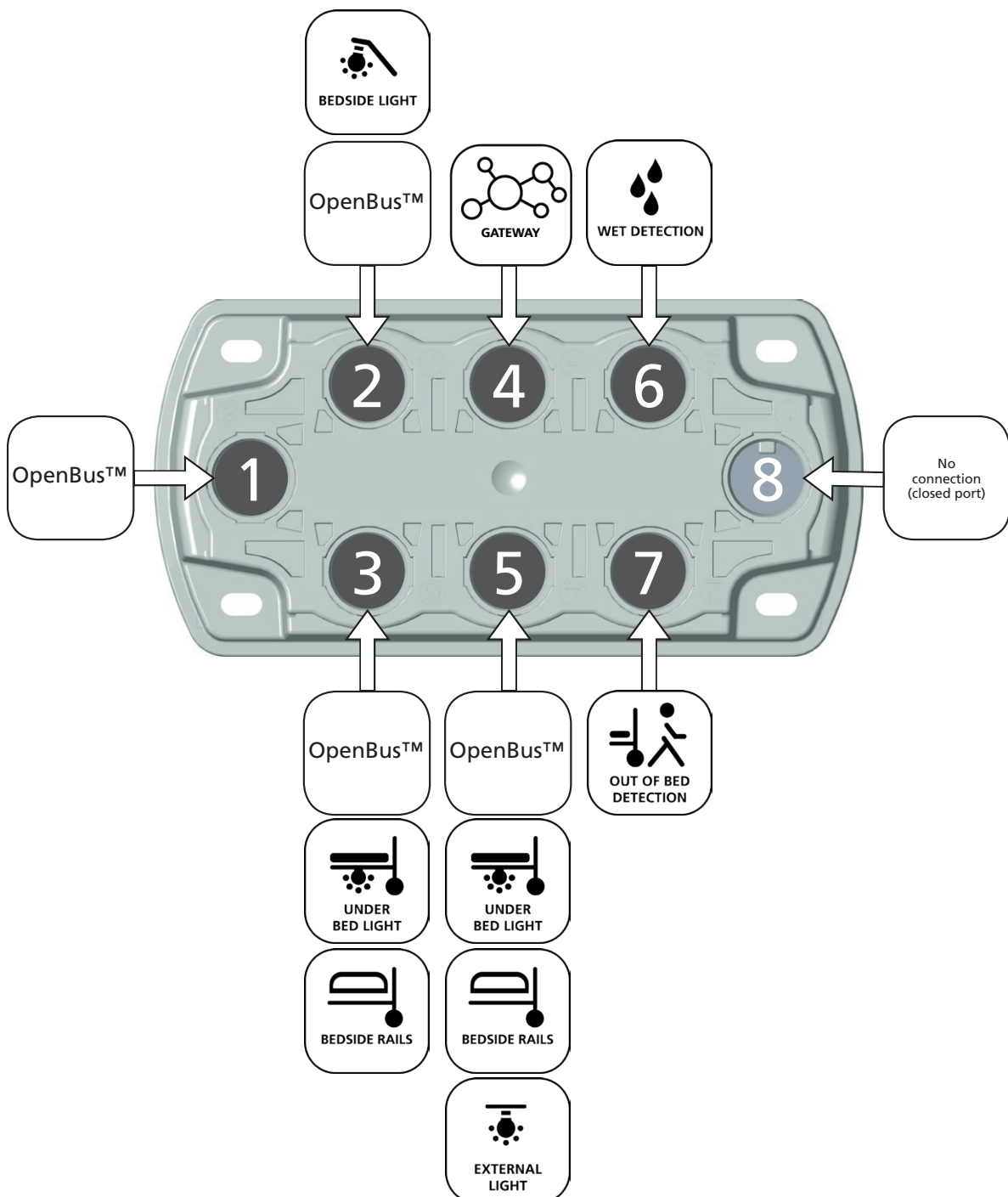
Functionality overview

The MJB8 supports the following functionalities:

- Bed Side Light, BSL
- Under Bed Light, UBL
- Bed Side Rails, BSR
- Gateway, GW
- External Light, EXL
- WET detection, WET
- Out Of Bed detection, OOB

The different functionalities consist of a software part (software) and an hardware part (hardware). The software part is the MJB8 software which is split into software components, e.g. the BSL component. The hardware can be a LINAK hardware, e.g. the WET sheet or it can be a 3rd party product, e.g. the BSL. The hardware is connected to the MJB8 port with a cable.

Port connection overview



Port 1, OpenBus™

The MJB8 is an OpenBus device that must be connected through port 1 to an OpenBus control box.

Port 2, Bed Side Light (BSL)

The MJB8 supports the control of a BSL that can be used either as reading light for patients, work light for the caregiver or as a guiding light when leaving the bed during night. The BSL can either be manually controlled via the hand control or automatically via the Out Of Bed feature.

The BSL hardware is not a LINAK product, and must be supplied by a 3rd party supplier.

Port 3 and port 5, Under Bed Light (UBL)

The Under Bed Light feature is a light mounted under the bed that gives a guiding light when a patient leaves the bed during night. The Under Bed Light can either be manually controlled via the hand control or automatically via the Out Of Bed feature.

The UBL hardware is a LINAK product and needs to be ordered separately.

Port 3 and port 5, Bed Side Rails (BSR)

The Bed Side Rail feature for up to 4 bedside rails notifies whether the rails are in a safe position or not. Notifications can be sent to the caregiver via the gateways.

The BSR hardware switch for the input signal is not a LINAK product, and must be supplied by a 3rd party supplier.

Port 4, Gateway

The Gateway port provides an interface from the OpenBus™ to a 3rd party hardware for instance a nurse call system. The Gateway hardware is not a LINAK product, and must be supplied by a 3rd party supplier.

Port 5, External Light (EXL)

The MJB8 features the control of an EXL by means of a signal from/to a wireless transmitter/sender device to for instance a bathroom light that can be used to give a guiding light when leaving the bed during night. The EXL can be either manually controlled by a hand control or automatically controlled by the OOB feature.

The EXL hardware is not a LINAK product, and must be supplied by a 3rd party supplier.

Port 6, WET detection (WET)

The MJB8 WET detection feature detects the humidity level (e.g. sweat or urine) from a wet sheet and sends the information via the gateway to the caregiver. The wetsheet is a LINAK product and needs to be ordered separately.

Port 7, Out Of Bed detection (OOB)

The Out Of Bed detection feature detects whether the person in the bed leaves the bed, and sends the information via the gateway to the caregiver. Further, OOB controls the out of bed light, by turning on the light when the person leaves the bed (i.e. UBL, BSL and EXL).

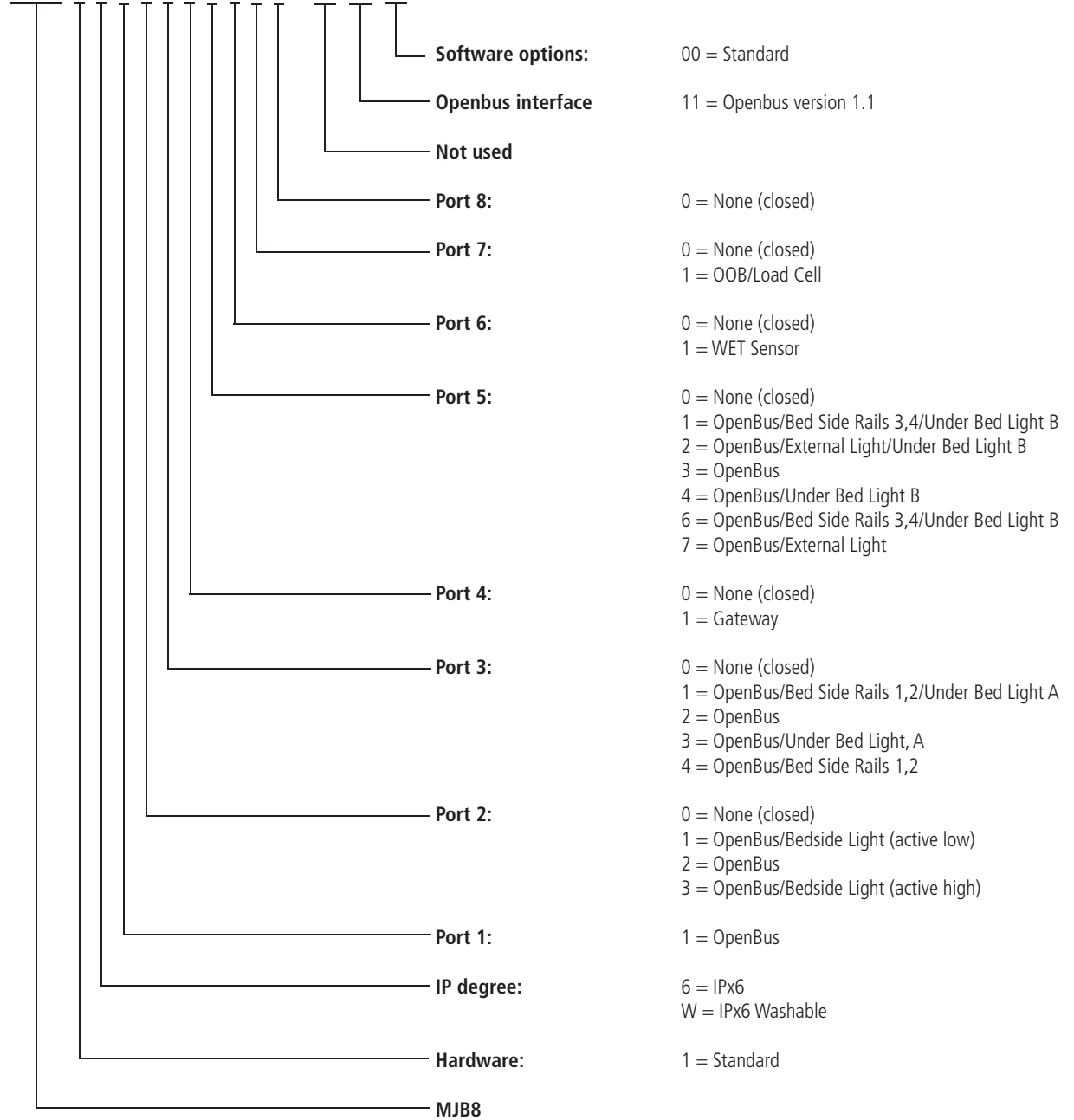
The OOB is measured by means of a load cell mounted on an actuator.

The OOB loadcell is a LINAK product and needs to be ordered separately together with the actuator.

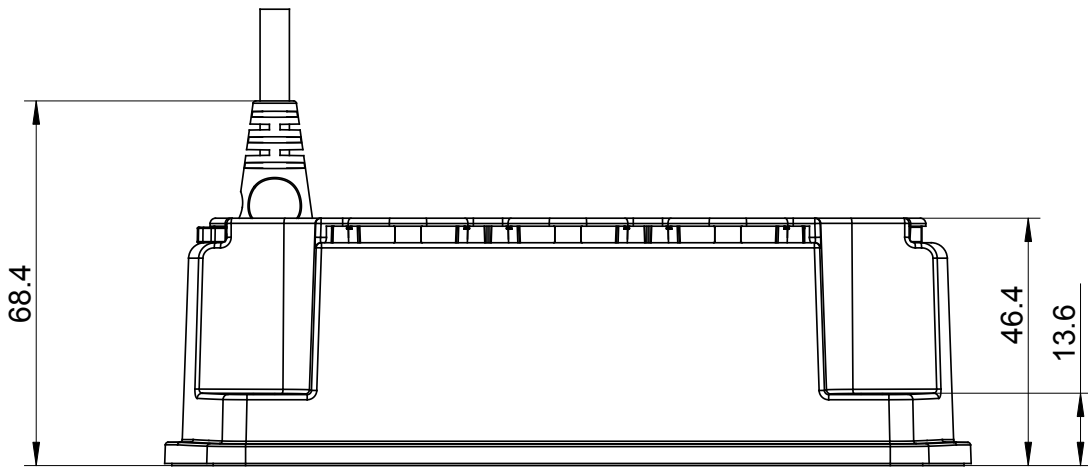
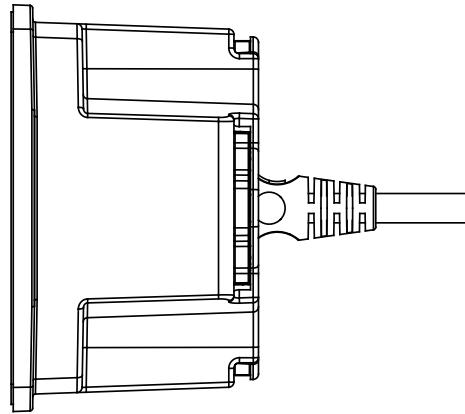
MJB8

Ordering example:

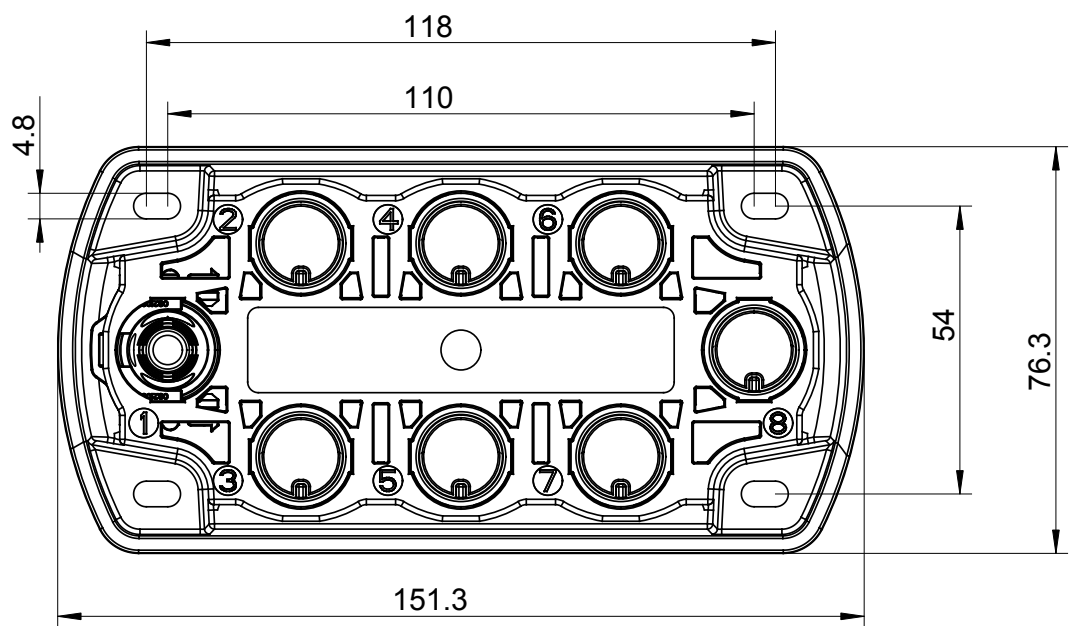
MJB8 0 6 1 1 1 1 1 1 1 1 - 00 11 00



Dimension drawings



SCALE 4:5



Terms of use

The user is responsible for determining the suitability of LINAK products for specific application. LINAK takes great care in providing accurate and up-to-date information on its products.

However, due to continuous development in order to improve its products, LINAK products are subject to frequent modifications and changes without prior notice. Therefore, LINAK cannot guarantee the correct and actual status of said information on its products.

While LINAK uses its best efforts to fulfill orders, LINAK cannot, for the same reasons as mentioned above, guarantee the availability of any particular product. Therefore, LINAK reserves the right to discontinue the sale of any product displayed on its website or listed in its catalogues or other written material drawn up by LINAK.

All sales are subject to the Standard Terms of Sale and Delivery for LINAK. For a copy hereof, please contact LINAK.