



# Modular Junction Box MJB5 Plus with Under Bed Light (ext.) and Switch Input Data sheet

# MJB5 Plus with Under Bed Light (ext.) and Switch Input (SI)

The modular junction box MJB5 Plus is designed for use together with OpenBus™ control boxes.

The MJB5 Plus makes it possible to connect multiple hand controls and attendant controls. It can even be used for charging or to connect the Under Bed Light and 3<sup>rd</sup> party products.

The compact design and in-line cable management makes it easy to integrate in a wide range of healthcare applications like hospital beds, surgery tables and treatment chairs.

The MJB5 Plus offers IPX6 Washable DURA™ and is the perfect match for the OpenBus control box platform. IPX6 Washable DURA™ helps prolong the lifetime and makes the system ready for wash tunnels and high-pressure wash down.

## **MJB5 Plus with Under Bed Light (ext.) and Switch Input** **MJB5 Plus versions 506-010 and 506-020:**

The MJB5 Plus is a modular junction box with 3 different options, Under Bed Light (UBL) and two switch inputs, S1 and S2, which can be used for an external switch.

**UBL:** The MJB5 Plus with UBL is a simple solution to prevent fall accidents and make the patient feel safe. The UBL makes it easy to find the way back to the bed at night without disturbing other patients.

The MJB5 Plus has an external LED cable (0964135) which is connected to Port 5.

The external LED cable makes it more flexible to use the UBL. It can be moved from side to side of the bed or can be placed at the foot of the bed.

**External Switch (S1/S2):** It is possible for the customer to connect a switch directly to the MJB5 Plus. It can be used with a customised switch or control.



## **Features and options:**

- Connections: Up to 4 controls of various types with modular jack plug
- Colour: Light Grey RAL 7035
- Protection class: IPX6 , IPX6 Washable DURA™
- Current consumption: VBus 8V = 9.3 mA  
V Permanent 40V = 2.3 mA

## **Usage:**

- Compatibility: All OpenBus products
- Operation temperature: +5 °C to +40 °C
- Storage temperature: -10 °C to + 50 °C
- Relative humidity: 20% to 80% non-condensing
- Atmospheric pressure: 700 to 1060 hPa
- Operational meters above sea level: Max. 3000 meters
- Latex free: Yes
- Approvals: IEC60601-1, IEC60601-1-6  
ANSI/AAMI ES60601-1  
CAN/CSA-22.2 No 60601-1

Ordering example:

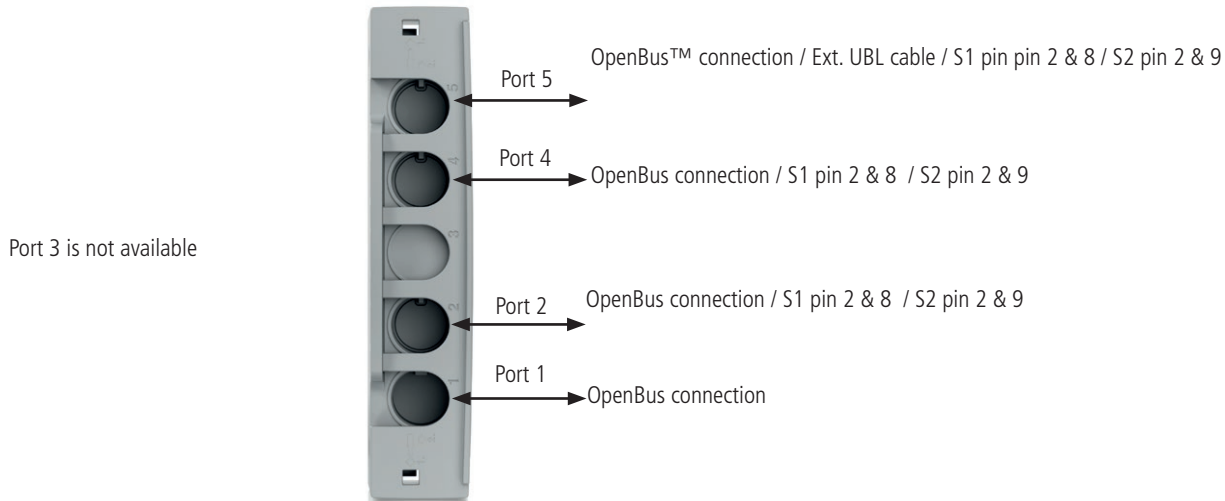
**MJB5Plus ordering example**

		MJB	
Special/Standard code no.	<input type="text" value="000"/>	000 =	Port repeater box (without functionality)
		502 =	SMPS 4W (Switch Mode Power Supply)
		504 =	Gateway
		505 =	UBL (Internal) / Switch input (S1 + S2)
		506 =	UBL (External) / Switch input (S1 + S2)
<hr/>			
No. of OPENBUS™ connections	<input type="text" value="4"/>	1 =	for standard code: 502 (Ports: 1=OB, 2=third party) for standard code: 504 (Ports: 1=OB, 5=Third party)
		3 =	for standard code 000: 3 ports
		4 =	for standard code 000: 4 ports for standard code: 505 & 506
		5 =	for standard code 000: 5 ports
<hr/>			
Configuration Number	<input type="text" value="000"/>	000 =	Port repeater box (without functionality)
		001-099 =	standard configuration
		100-999 =	special configuration
<hr/>			
Not used	<input type="text" value="-"/>	- =	Not used
<hr/>			
Colour	<input type="text" value="1"/>	1 =	Light grey (RAL 7035)
<hr/>			
HardWare version	<input type="text" value="0"/>	0 =	No Power request
		1 =	HW-variant with power request on all ports where it is possible
<hr/>			
IP Degree	<input type="text" value="2"/>	2 =	IPX6
		9 =	IPX6 Washable DURA™
<hr/>			
Cable	<input type="text" value="3"/>	3 =	No cable

Chosen item number: MJB0004000-1023

Modular plug cable for connection of OpenBus™ control box to MJB5 Plus has to be ordered separately.

Please remember to order DURA cable and blind plug if IP degree IPX6 Washable DURA™ is required.



**Standard functionality:**

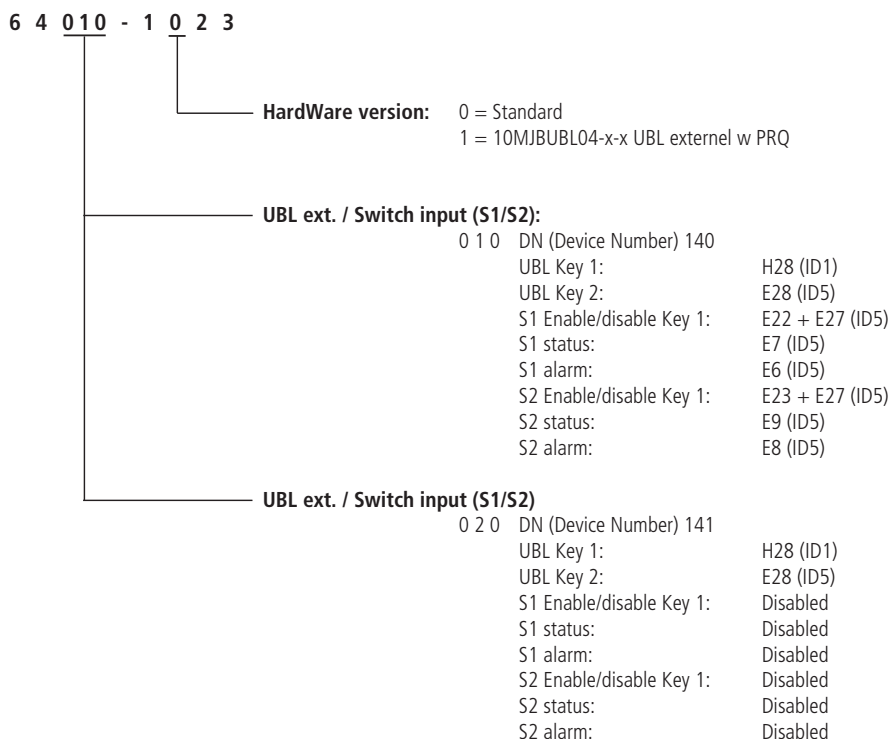
**UBL:** The UBL LED can be switched on and off via the patient control (Key1) or the attendant control (Key2).

**External Switch (S1/S2):** The external switch is connected to S1: Pin 2 & 8/S2: Pin 2 and 9 on Port 2, Port 4 or Port 5. The switch input functionality can be enabled/disabled via the attendant control. The enable/disable status (switch status) is indicated on the OpenBus.

The switch input functionality is as standard to be used with a NO switch. When the switch is activated (NC), a notification is sent on the OpenBus (switch notification).

**Ordering example**

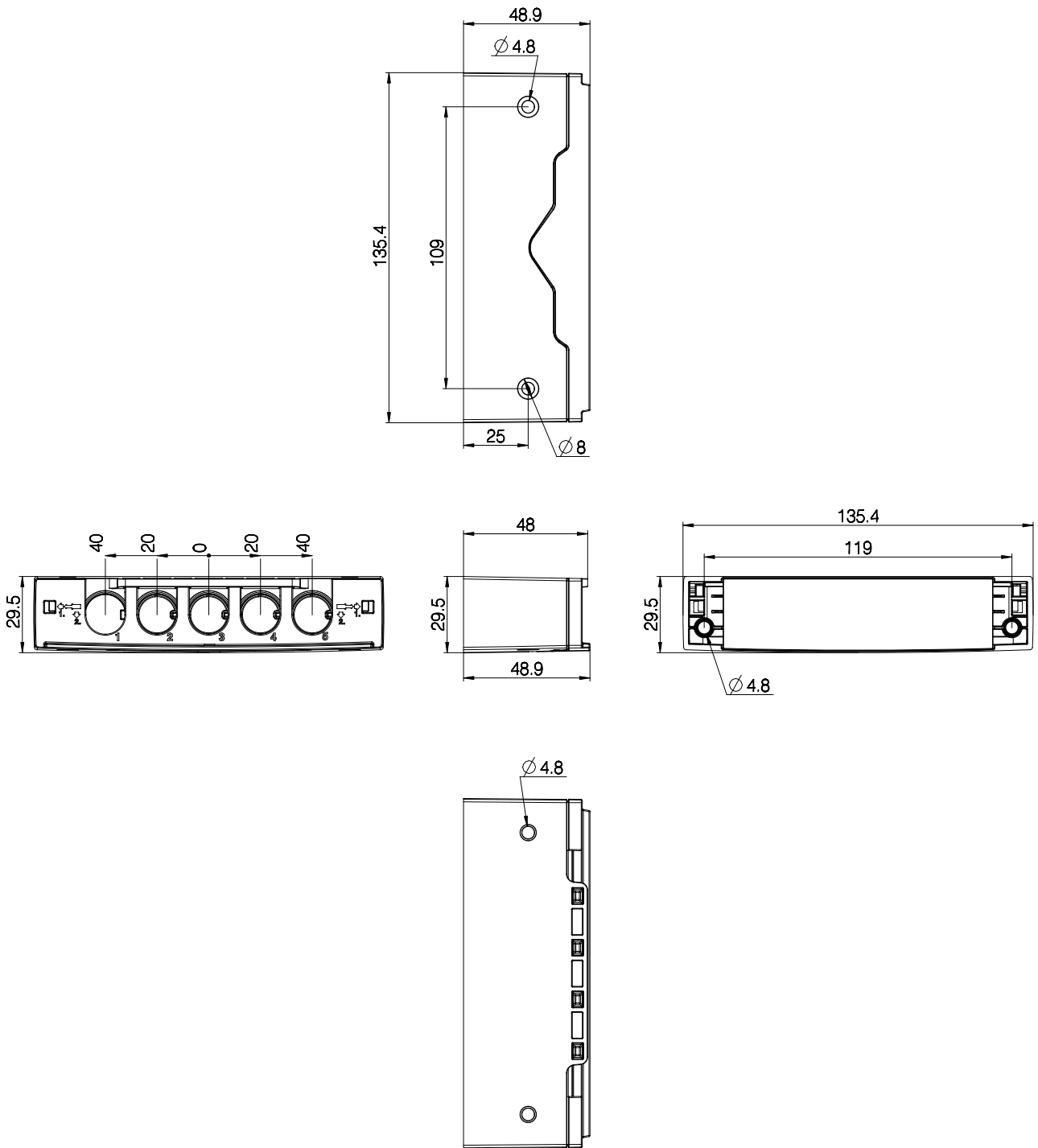
**OpenBus™ standard configuration, versions 506-010 and 506-020:**



When using 2 x UBL (left/right side of bed) is it important to order the MJB5 Plus with 2 different device numbers. Otherwise is it not possible to define the MJB5 Plus through the SDT2. Order variant 506-010 & 506-020.

The External Switch inputs are as default disabled (factory setting)

Dimensions:



## MJB5 Plus Cable and accessory overview

Ordering number	Description	MJB5 Plus version				
		000	502	504	505	506
		Port repeater	SMPS	Gateway	UBL (Int.)	UBL (Ext.)
0821147	MJB5 Plus locking mechanism	X	X	X	X	X
1015W1010-A	Mounting bracket exclusive screws	X	X	X	X	X
SA0002645	Special screws type WN1423 K60x16	X	X	X	X	X
0821008	Blind plug, RAL 7035 Light Grey, IPX6	X	X	X	X	X
0821120	Blind plug, RAL 7035 Light Grey, IPX6 Washable DURA™	X	X	X	X	X
0834000	USB cable, length 1000 mm (USB cable is not medically approved)		X			
0964399	Modular plug cable with open end, length 1500 mm				X	X
0964461-xxxx	Modular plug to modular plug, 6-wire extension cable	X	X	X	X	X
0964140-1375	Gateway cable, xxxx mm, modular plug-open end			X		
0964135	Under Bed Light Cable, 2500 mm					X