

Modular Junction Box MJB5 Plus with Switch Mode Power Supply (SMPS)

Data Sheet



Contents

Introduction.....	3
MJB5 Plus version 502-010, 5V SMPS	3
Features and options	3
Usage	3
Ordering example	4
Standard functionality	5
OpenBus™ standard configuration.....	5
Dimensions	6
Cable and accessory overview	7

Introduction

The modular junction box MJB5 Plus is designed for use together with OpenBus™ control boxes.

The MJB5 Plus makes it possible to connect multiple hand controls and attendant controls. It can even be used for charging or to connect the Under Bed Light and 3rd party products.

The compact design and in-line cable management makes it easy to integrate in a wide range of healthcare applications like hospital beds, surgery tables and treatment chairs.

The MJB5 Plus offers IPX6 Washable DURA™ and is the perfect match for the OpenBus control box platform. IPX6 Washable DURA helps prolong the lifetime and makes the system ready for wash tunnels and high-pressure wash down.

MJB5 Plus version 502-010, 5V SMPS

The SMPS is to be used where there is a need for power supply near the bed. For example, to charge electrical devices.

It is also possible to connect a bedside lamp from our 3rd party supplier. This will be connected directly to the MJB5 Plus port 2 via a modular plug. The SMPS indicates with an LED on the hand control whether the power supply is switched on or off.



Features and options

2 connections:	Port 1, OpenBus connection / Port 2, power supply
Colour:	Light Grey RAL 7035
Protection class:	IPX6, IPX6 Washable DURA™
Output power:	On mains: 5Vdc ± 0.5V / max. 4 watt (based on Vpermanent 40V) On battery: 5Vdc ± 0.5V / max. 2 watt
Current consumption:	V Bus 8V: < 9 mA V Permanent 40V: < 150 mA
	Short circuit protection: The SMPS switches off resulting in an error/a notification which is indicated on the OpenBus
Temperature protection:	The SMPS switches off if the temperature inside the MJB5 Plus is above 110 °C. This results in an error/a notification which is indicated on the OpenBus.
Overload protection:	When the SMPS is overloaded, the SMPS switches off, resulting in an error/a notification which is indicated on the OpenBus. Overload if current consumption on V permanent > 150 mA.

Usage

Compatibility:	All OpenBus products
Operation temperature:	+5 °C to +40 °C
Storage temperature:	-10 °C to +50 °C
Relative humidity:	20% to 80% – non-condensing
Atmospheric pressure:	700 to 1060 hPa
Meters above sea level:	Max. 3000 meters
Latex free:	Yes
Approvals:	IEC60601-1 ANSI/AAMI ES60601-1 CAN/CSA-22.2 No 60601-1

Ordering example

		MJB		
Special/Standard code no.	000	000 =	Port repeater box (without functionality)	
		502 =	SMPS 4W (Switch Mode Power Supply)	
		504 =	Gateway	
		505 =	UBL (Internal) / Switch input (S1 + S2)	
		506 =	UBL (External) / Switch input (S1 + S2)	
		509 =	Analogue to OPENBUS™ Converter	
<hr/>				
No. of OPENBUS™ connections	4	1 =	For standard code: 502 (Ports: 1=OB, 2=third party) For standard code: 504 (Ports: 1=OB, 5=Third party)	
		3 =	For standard code 000: 3 ports	
		4 =	For standard code 000: 4 ports For standard code: 505, 506 & 509	
		5 =	For standard code 000: 5 ports	
<hr/>				
Configuration Number	000	000 =	Port repeater box (without functionality)	
		001-099 =	Standard configuration	
		100-999 =	Special configuration	
<hr/>				
Not used	-	- =	Not used	
<hr/>				
Colour	1	1 =	Light grey (RAL 7035)	
<hr/>				
HardWare version	0	0 =	No Power request	
		1 =	HW-variant with power request on all ports where it is possible	
		2 =	HW-variant with power request on port 2 (Only for MJB509)	
		3 =	HW-variant with power request on port 4 & 5 (Only for MJB509)	
<hr/>				
IP Degree	2	2 =	IPX6	
		9 =	IPX6 Washable DURA™	
<hr/>				
Cable	3	3 =	No cable	

Chosen item number: MJB0004000-1023

Modular plug cable for connection of OpenBus™ control box to MJB5 Plus has to be ordered separately. Please remember to order DURA cable and blind plug if IP degree IPX6 Washable DURA™ is required.



- +5V Power supply
- Pin 2 (GND)
- Pin 7 (reserved)
- Pin 8 (reserved)
- Pin 10 (output power)
- OpenBus™ connection

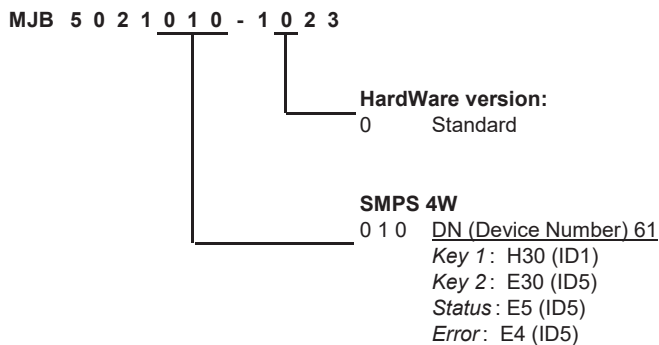
Standard functionality

Port 1 is to be connected to the OpenBus control box.

The electronic device must be connected to PORT 2. The power on port 2 can be switched on/off via the patient control (key 1) or the attendant control (key 2), the status is indicated on the OpenBus. Switching on/off the power supply is useful, for instance when the SMPS is used together with a bedside lamp. If an error occurs, this is indicated on the OpenBus. As standard, it is switched off.

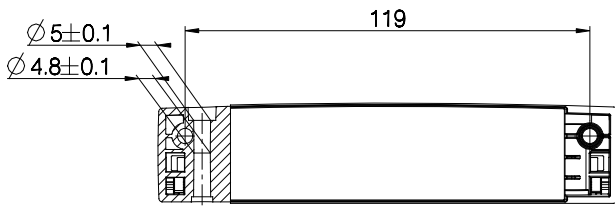
OpenBus™ standard configuration

Version 502-010

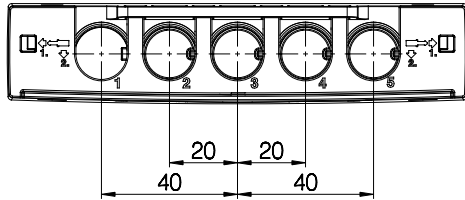
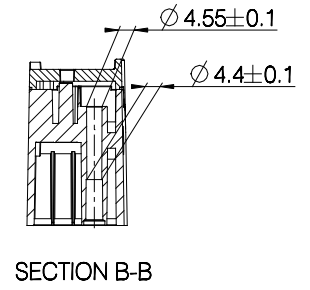
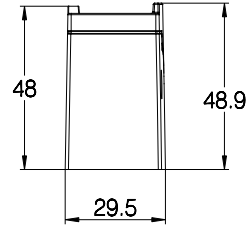
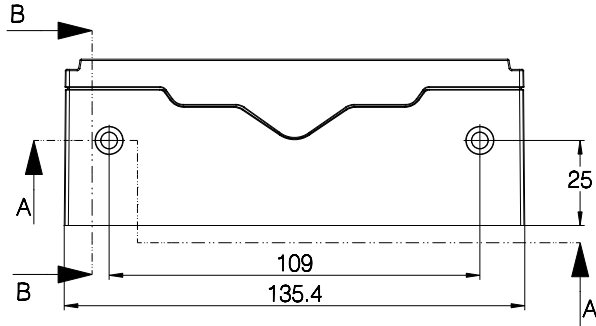


* Service Data Tool 2, can read out the special/standard code no. and configuration.

Dimensions



SECTION A-A



Drawing no.: 0835101

Cable and accessory overview

Ordering number	Description	MJB5 Plus version					
		000	502	504	505	506	509
		Port repeater	SMPS	Gateway	UBL (Int.)	UBL (Ext.)	AOC
0821147	MJB5 Plus locking mechanism	X	X	X	X	X	X
1015W1010-A	Mounting bracket exclusive screws	X	X	X	X	X	X
SA0002645	Special screws type WN1423 K60x16	X	X	X	X	X	X
0821008	Blind plug, RAL 7035 Light Grey, IPX6	X	X	X	X	X	X
0821120	Blind plug, RAL 7035 Light Grey, IPX6 Washable DURA™	X	X	X	X	X	X
0834000	USB cable, length 1000 mm (USB cable is not medically approved)		X				
0964399	Modular plug cable with open end, length 1500 mm				X	X	
0964461-xxxx	Modular plug to modular plug, 6-wire extension cable	X	X	X	X	X	X
0964140-1375	Gateway cable, xxxx mm, modular plug, open end			X			
0964135	Under Bed Light Cable, 2500 mm					X	
0965347	Modular plug cable with 10 open-end wires						X

Contacts

FACTORIES

Denmark - Headquarters
 LINAK A/S
 Phone: +45 73 15 15 15
 Fax: +45 74 45 80 48
 Fax (Sales): +45 73 15 16 13
 Web: www.linak.com

China
 LINAK (Shenzhen) Actuator Systems, Ltd.
 Phone: +86 755 8610 6656
 Phone: +86 755 8610 6990
 Web: www.linak.cn

Slovakia
 LINAK Slovakia s.r.o.
 Phone: +421 51 7563 444
 Web: www.linak.sk

Thailand
 LINAK APAC Ltd.
 Phone: +66 33 265 400
 Web: www.linak.com

USA
 LINAK U.S. Inc.
 Americas Headquarters
 Phone: +1 502 253 5595
 Fax: +1 502 253 5596
 Web: www.linak-us.com
 www.linak-latinamerica.com

SUBSIDIARIES

Australia
 LINAK Australia Pty. Ltd
 Phone: +61 3 8796 9777
 Fax: +61 3 8796 9778
 E-mail: sales@linak.com.au
 Web: www.linak.com.au

Austria
 LINAK Zweigniederlassung - Österreich (Wien)
 Phone: +43 (1) 890 7446
 Fax: +43 (1) 890 744615
 E-mail: info@linak.de
 Web: www.linak.at - www.linak.hu

Belgium
 LINAK Actuator-Systems NV/SA
 (Belgium & Luxembourg)
 Phone: +32 (0)9 230 01 09
 E-mail: beinfo@linak.be
 Web: www.linak.be - www.fr.linak.be

Brazil
 LINAK Do Brasil Comércio De Atuadores Ltda.
 Phone: +55 (11) 2832 7070
 Fax: +55 (11) 2832 7060
 E-mail: info@linak.com.br
 Web: www.linak.com.br

Canada
 LINAK Canada Inc.
 Phone: +1 502 253 5595
 Fax: +1 416 255 7720
 E-mail: info@linak.ca
 Web: www.linak-us.com

Czech Republic
 LINAK C&S s.r.o.
 Phone: +42 058 174 1814
 Fax: +42 058 170 2452
 E-mail: info@linak.cz
 Web: www.linak.cz - www.linak.sk

Denmark - International
 LINAK International
 Phone: +45 73 15 15 15
 E-mail: info@linak.com
 Web: www.linak.com

Denmark - Sales
 LINAK Danmark A/S
 Phone: +45 86 80 36 11
 Fax: +45 86 82 90 51
 E-mail: linak@linak-silkeborg.dk
 Web: www.linak.dk

Finland
 LINAK OY
 Phone: +358 10 841 8700
 E-mail: linak@linak.fi
 Web: www.linak.fi

France
 LINAK France E.U.R.L
 Phone: +33 (0) 2 41 36 34 34
 Fax: +33 (0) 2 41 36 35 00
 E-mail: linak@linak.fr
 Web: www.linak.fr

Germany
 LINAK GmbH
 Phone: +49 6043 9655 0
 Fax: +49 6043 9655 60
 E-mail: info@linak.de
 Web: www.linak.de

India
 LINAK A/S India Liaison Office
 Phone: +91 120 4531797
 Fax: +91 120 4786428
 E-mail: info@linak.in
 Web: www.linak.in

Ireland
 LINAK UK Limited (Ireland)
 Phone: +44 (0)121 544 2211
 Fax: +44 (0)121 544 2552
 +44 (0)796 855 1606 (UK Mobile)
 +35 387 634 6554 (Rep.of Ireland Mobile)
 E-mail: sales@linak.co.uk
 Web: www.linak.co.uk

Italy
 LINAK ITALIA S.r.l.
 Phone: +39 02 48 46 33 66
 Fax: +39 02 48 46 82 52
 E-mail: info@linak.it
 Web: www.linak.it

Japan
 LINAK K.K.
 Phone: 81-45-533-0802
 Fax: 81-45-533-0803
 E-mail: linak@linak.jp
 Web: www.linak.jp

Malaysia
 LINAK Actuators Sdn. Bhd.
 Phone: +60 4 210 6500
 Fax: +60 4 226 8901
 E-mail: info@linak-asia.com
 Web: www.linak.my

Netherlands
 LINAK Actuator-Systems B.V.
 Phone: +31 76 5 42 44 40 /
 +31 76 200 11 10
 E-mail: info@linak.nl
 Web: www.linak.nl

New Zealand
 LINAK New Zealand Ltd
 Phone: +64 9580 2071
 Fax: +64 9580 2072
 E-mail: nzsales@linak.com.au
 Web: www.linak.com.au

Norway
 LINAK Norge AS
 Phone: +47 32 82 90 90
 E-mail: info@linak.no
 Web: www.linak.no

Poland
 LINAK Polska
 LINAK Danmark A/S (Spółka Akcyjna)
 Phone: +48 22 295 09 70 /
 +48 22 295 09 71
 E-mail: info@linak.pl
 Web: www.linak.pl

Republic of Korea
 LINAK Korea Ltd.
 Phone: +82 2 6231 1515
 Fax: +82 2 6231 1516
 E-mail: info@linak.kr
 Web: www.linak.kr

Slovakia
 LINAK Slovakia S.R.O.
 Phone: +421 51 7563 444
 Web: www.linak.sk

Spain
 LINAK Actuadores, S.L.U
 Phone: +34 93 588 27 77
 Fax: +34 93 588 27 85
 E-mail: esma@linak.es
 Web: www.linak.es

Sweden
 LINAK Scandinavia AB
 Phone: +46 8 732 20 00
 Fax: +46 8 732 20 50
 E-mail: info@linak.se
 Web: www.linak.se

Switzerland
 LINAK AG
 Phone: +41 43 388 31 88
 Fax: +41 43 388 31 87
 E-mail: info@linak.ch
 Web: www.linak.ch - www.fr.linak.ch
 www.it.linak.ch

Taiwan
 LINAK (Shenzhen) Actuator systems Ltd.
 Taiwan Representative office
 Phone: +886 2 272 90068
 Fax: +886 2 272 90096
 E-mail: sales@linak.com.tw
 Web: www.linak.com.tw

Turkey
 LINAK İth. İhr. San. ve Tic. A.Ş.
 Phone: +90 312 4726338
 Fax: +90 312 4726635
 E-mail: info@linak.com.tr
 Web: www.linak.com.tr

United Kingdom
 LINAK UK Limited
 Phone: +44 (0)121 544 2211
 Fax: +44 (0)121 544 2552
 E-mail: sales@linak.co.uk
 Web: www.linak.co.uk

DISTRIBUTORS

Argentina
 Novotec Argentina SRL
 Phone: 011-4303-8989 / 8900
 Fax: 011-4032-0184
 E-mail: info@novotecargentina.com
 Web: www.novotecargentina.com

Colombia
 MEM Ltda
 Phone: +[57] (1) 334-7666
 Fax: +[57] (1) 282-1684
 E-mail: servicioalcliente@memlda.com.co
 Web: www.mem.net.co

India
 Mechatronics Control Equipments India Pvt Ltd
 Phone: +91-44-28558484, 85
 E-mail: bala@mechatronicscontrol.com
 Web: www.mechatronicscontrol.com

Indonesia
 PT. Himalaya Everest Jaya
 Phone: +6 221 544 8956 /+6 221 544 8965
 Fax: +6 221 619 1925
 Fax (Sales): +6 221 619 4658
 E-mail: hejplastic-div@centrin.net.id
 Web: www.hej.co.id

Israel
 NetivTech LTD
 Phone: +972 55-2266-535
 Fax: +972 2-9900-560
 Email: info@NetivTech.com
 Web: www.netivtech.com

Singapore
 Servo Dynamics Pte Ltd
 Phone: +65 6844 0288
 Fax: +65 6844 0070
 E-mail: servodynamics@servo.com.sg

South Africa
 Industrial Specialised Applications CC
 Phone: +27 011 466 0346
 E-mail: gartht@isagroup.co.za
 Web: www.isaza.co.za

United Arab Emirates
 Mechatronics
 Phone: +971 4 267 4311
 Fax: +971 4 267 4312
 E-mail: mechtron@emirates.net.ae

Terms of use

LINAK® takes great care in providing accurate and up-to-date information on its products. However, the user is responsible for determining the suitability of LINAK products for a specific application. Due to continual development, LINAK products are subject to frequent modifications and changes. LINAK reserves the rights to conduct modifications, updates, and changes without any prior notice. For the same reason, LINAK cannot guarantee the correctness and actual status of imprinted information on its products.

LINAK uses its best efforts to fulfil orders. However, for the reasons mentioned above, LINAK cannot guarantee availability of any particular product at any given time. LINAK reserves the right to discontinue the sale of any product displayed on its website or listed in its catalogues or in other written material created and produced by LINAK, LINAK subsidiaries, or LINAK affiliates. All sales are subject to the 'Standard Terms of Sale and Delivery for LINAK A/S' available on LINAK websites. LINAK and the LINAK logotype are registered trademarks of LINAK A/S. All rights reserved.