



# Modular Junction Box MJB5 Plus with Analogue to OpenBus™ Converter (AOC)

## Data sheet

# MJB5 Plus with Analogue to OpenBus™ Converter (AOC)

The modular junction box MJB5 Plus is designed for use together with OpenBus™ control boxes.

The MJB5 Plus makes it possible to connect multiple hand controls and attendant controls. It can even be used for charging or to connect the Under Bed Light and 3<sup>rd</sup> party products.

The compact design and in-line cable management makes it easy to integrate in a wide range of healthcare applications like hospital beds, surgery tables and treatment chairs.

The MJB5 Plus offers IPX6 Washable DURA™ and is the perfect match for the OpenBus control box platform. IPX6 Washable DURA™ helps prolong the lifetime and makes the system ready for wash tunnels and high-pressure wash down.

## **MJB5 Plus – Analogue to Openbus Converter (AOC) MJB5 Plus versions 506.**

The AOC is an Analogue to OpenBus™ Converter. It is the perfect match for especially medical applications where the customer needs to add own products or 3<sup>rd</sup> party controls in an OpenBus system, e.g. multi-purpose foot switches.

The MJB5 AOC is available with or without power request.



### **Features and options:**

- Connections: Up to 3 controls of various types with modular jack plug or up to 16 analogue switch inputs for connection of 3<sup>rd</sup> party products
- Colour: Light Grey RAL 7035
- Protection class: IPX6, IPX6 Washable DURA™
- Current consumption: Depends on the number of active inputs  
5-12 mA VBus,  
0-16 mA VPermanent

### **Usage:**

- Compatibility: All OpenBus control boxes except CB20.
- Operation temperature: +5 °C to +40 °C
- Storage temperature: -10 °C to + 50 °C
- Relative humidity: 20% to 80% non-condensing
- Atmospheric pressure: 700 to 1060 hPa
- Operational meters above sea level: Max. 3000 meters
- Latex free: Yes
- Approvals: IEC60601-1, IEC60601-1-6  
ANSI/AAMI ES60601-1  
CAN/CSA-22.2 No 60601-1

Ordering example:

<b>MJB</b>		
Special/Standard code no.	000	<b>000 = Port repeater box (without functionality)</b> <b>502 = SMPS 4W (Switch Mode Power Supply)</b> <b>504 = Gateway</b> <b>505 = UBL (Internal) / Switch input (S1 + S2)</b> <b>506 = UBL (External) / Switch input (S1 + S2)</b> <b>509 = Analogue to OpenBus™ Converter</b>
No. of OPENBUS™ connections	4	<b>1 = for standard code: 502 (Ports: 1=OB, 2=third party) for standard code: 504 (Ports: 1=OB, 5=Third party)</b>  <b>3 = for standard code 000: 3 ports</b> <b>4 = for standard code 000: 4 ports for standard code: 505, 506 &amp; 509</b>  <b>5 = for standard code 000: 5 ports</b>
Configuration Number	000	<b>000 = Port repeater box (without functionality)</b> <b>001-099 = standard configuration</b> <b>100-999 = special configuration</b>
Not used	-	<b>- = Not used</b>
Colour	1	<b>1 = Light grey (RAL 7035)</b>
HardWare version	0	<b>0 = No Power request</b> <b>1 = HW-variant with power request on all ports where it is possible</b> <b>2 = HW-variant with power request on port 2 (Only for MJB509)</b> <b>3 = HW-variant with power request on port 4 &amp; 5 (Only for MJB509)</b>
IP Degree	2	<b>2 = IPX6</b>  <b>9 = IPX6 Washable DURA™</b>
Cable	3	<b>3 = No cable</b>

Chosen item number: MJB0004000-1023

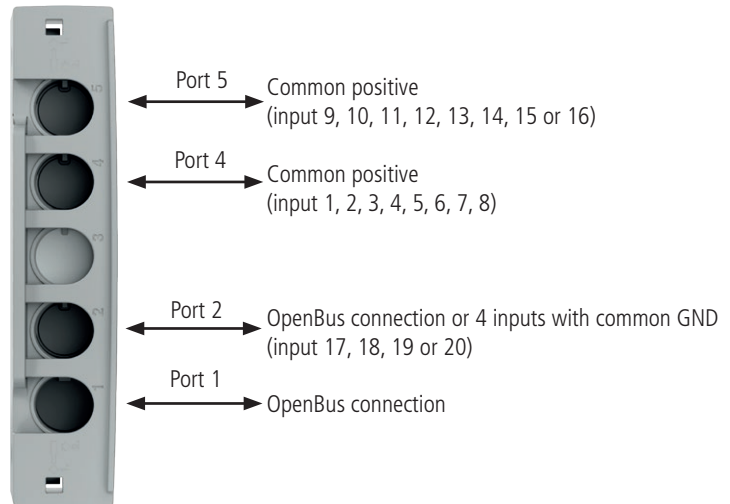
Modular plug cable for connection of OpenBus™ control box to MJB5 Plus has to be ordered separately.

Please remember to order DURA cable and blind plug if IP degree IPX6 Washable DURA™ is required.

**MJB5 Plus AOC Usage:**

Compatibility: All OpenBus control boxes except CB20.

Port 3 is not available



The product label is added for correct connection to the ports



The MJB5 AOC has 4 ports.

Port 1 is for OpenBus connection.

Port 2 has 4 common ground switch inputs or an OpenBus hand control.

Port 4 has 8 common positive switch inputs or an analogue hand control.

Port 5 has 8 common positive switch inputs or an analogue hand control.

Port 1 for connection to the control box and port 2 can be used for an OpenBus control. The standard inputs are made in such a way that a system containing an analogue hand control can be used for an OpenBus control box in port 4 or port 5.

**Ordering example**

**OpenBus™ standard configuration, version 509:**

MJB 5 0 9 4 XXX - 1 0 2 3

**Hardware version:**

- 0 = No Power Request
- 1 = Power Request on Port 2,4 & 5
- 2 = Power Request on Port 2
- 3 = Power Request on Port 4 &5

**Configuration:**

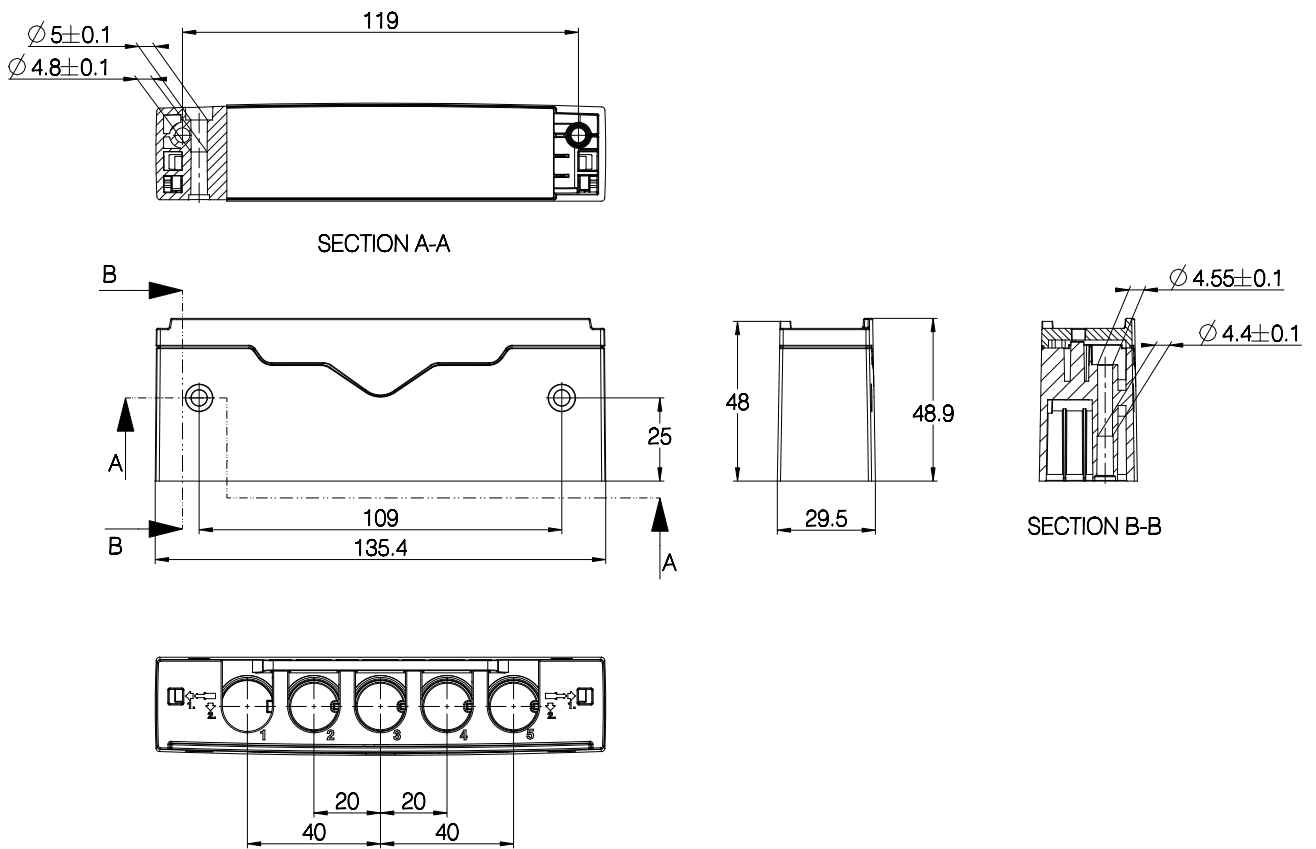
001 = Standard configuration (Port 4 = "V0", Port 5 = "V1")

\* Service Data Tool 2, can read out the special / standard code no. and configuration.

**Power request variants, versions 505, 506 and 509**

MJB Type	Hardware version			
	0	1	2	3
MJB505 (Int. UBL)	No power request	N / A	N/A	N/A
MJB506 (Ext. UBL)	No power request	Power request on port 2 4 and 5	N/A	N/A
MJB509 (AOC)	No power request	Power request on port 2 (Pin 17-20) 4 and 5	Power request on port 2	Power request on port 4 and 5

**Dimensions:**



Drawing no.: 0835101

## MJB5 Plus Cable and accessory overview

		MJB5 Plus version					
		000	502	504	505	506	509
Ordering number	Description	Port Repeater	SMPS	Gateway	UBL (Int.)	UBL (Ext.)	AOC
0821147	MJB5 Plus locking mechanism	X	X	X	X	X	X
1015W1010-A	Mounting bracket exclusive screws	X	X	X	X	X	X
SA0002645	Special screws type WN1423 K60x16	X	X	X	X	X	X
0821008	Blind plug, RAL 7035 Light Grey, IPX6	X	X	X	X	X	X
0821120	Blind plug, RAL 7035 Light Grey, IPX6 Washable DURA™	X	X	X	X	X	X
0834000	USB cable, length 1000 mm (USB cable is not medically approved)		X				
0964399	Modular plug cable with open end, length 1500 mm				X	X	
0964461-xxxx	Modular plug to modular plug, 6-wire extension cable	X	X	X	X	X	X
0964140-1375	Gateway cable, xxxx mm, modular plug-open end			X			
0964135	Under Bed Light Cable, 2500 mm					X	
0965347	Modular plug cable with 10 open-end wires						X

LINAK® accepts no responsibility for possible errors or inaccuracies in catalogues, brochures, and other material. LINAK reserves the right to change its products without prior notice. LINAK cannot guarantee product availability and reserves the right to discontinue the sale of any product. The user is responsible for determining the suitability of LINAK products for a specific application. All sales are subject to the 'Standard Terms of Sale and Delivery', available on LINAK websites.

LINAK and the LINAK logotype are registered trademarks of LINAK A/S. All rights reserved.