



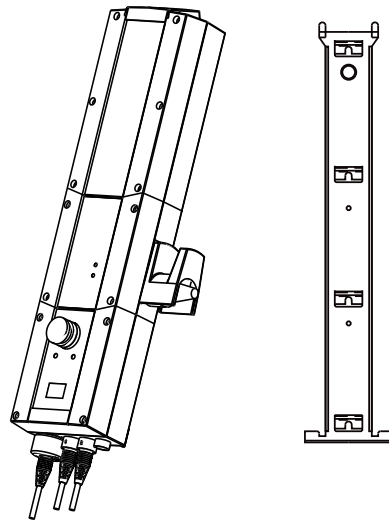
Mounting Brackets MBJ Data sheet

MBJ

Depending on what your JUMBO system consists of you need to use one of the following three mounting brackets:

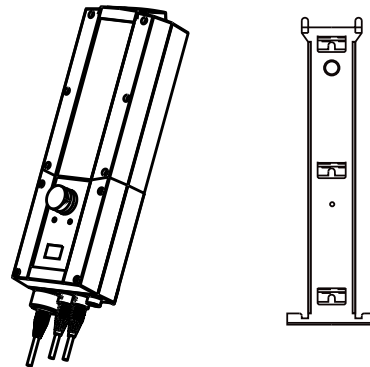
MBJ1

For use together with CBJ1 or CBJ2 or CBJC, CHJ2 and BAJ1 or BAJ2. I.e. when combining control box, charger and battery pack MBJ1 has to be used.



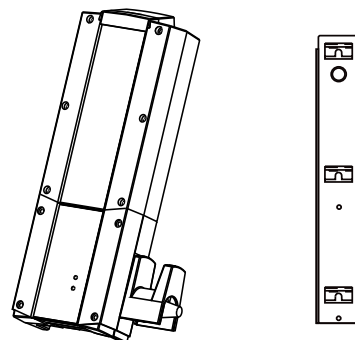
MBJ2

For use together with CBJ1 or CBJ2 or CBJC, and BAJ1 or BAJ2. I.e. when combining control box and battery pack MBJ2 has to be used.



MBJ3

For use together with CHJ2 and BAJ1 or BAJ2. I.e. when combining charger and battery pack MBJ3 has to be used.



IP protection is only valid when the jumbo system is mounted vertically.



All three order numbers for brackets include matching screws (IPX1, IPXX and IPX5 are delivered with stainless screws)

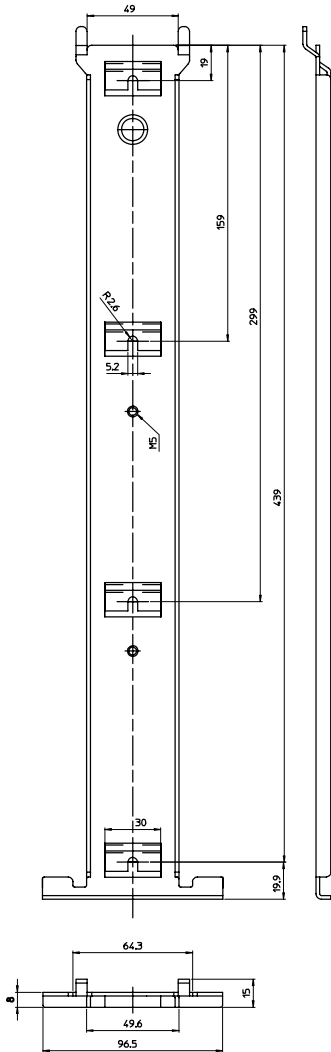
MBJ1 / MBJ2 / MBJ3

Ordering example:

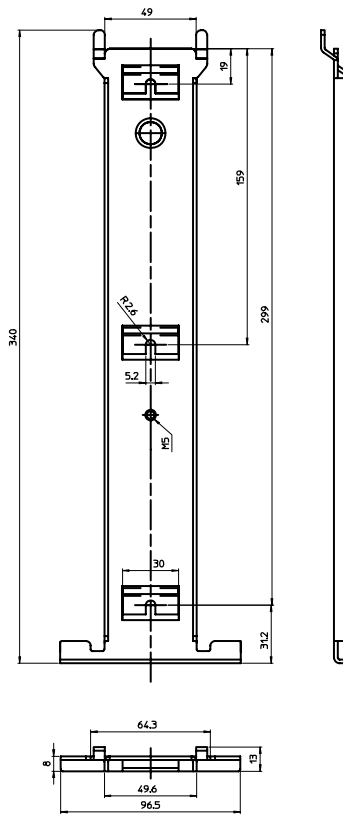
MBJX - XX

Screws: Blank = steel
 01 = stainless (IPX5)
 Type: 1, 2, 3

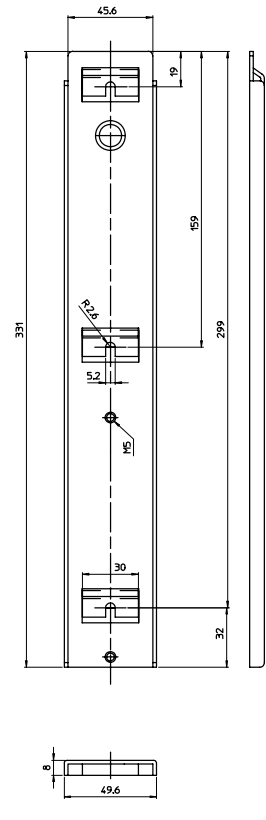
Dimensions:



MBJ1



MBJ2



MBJ3

LINK A/S
 MBJ00C

Note: Geometrical tolerance ± 0.2 to ± 0.5 mm

Drawing no.: MBJ1001C

Terms of use

The user is responsible for determining the suitability of LINAK products for specific application. LINAK takes great care in providing accurate and up-to-date information on its products.

However, due to continuous development in order to improve its products, LINAK products are subject to frequent modifications and changes without prior notice. Therefore, LINAK cannot guarantee the correct and actual status of said information on its products.

While LINAK uses its best efforts to fulfill orders, LINAK cannot, for the same reasons as mentioned above, guarantee the availability of any particular product. Therefore, LINAK reserves the right to discontinue the sale of any product displayed on its website or listed in its catalogues or other written material drawn up by LINAK.

All sales are subject to the Standard Terms of Sale and Delivery for LINAK. For a copy hereof, please contact LINAK.