



Massage motor  
**Data sheet**

# Massage motor

---

Comfort furniture applications such as leisure beds can benefit from adding massage. The HOMELINE® massage motor MD1 can be added to various LINAK systems TWINDRIVE® as well as linear actuator systems based on the CBH Advanced control box.

The LINAK system offers several advantages such as: same handset for both bed and massage, no extra control box, just plug and play – the massage motors are directly connected to the HOMELINE systems – no extra wiring under the bed, simple and easy mounting. The system also features different modes, memory function and several mounting possibilities.



---

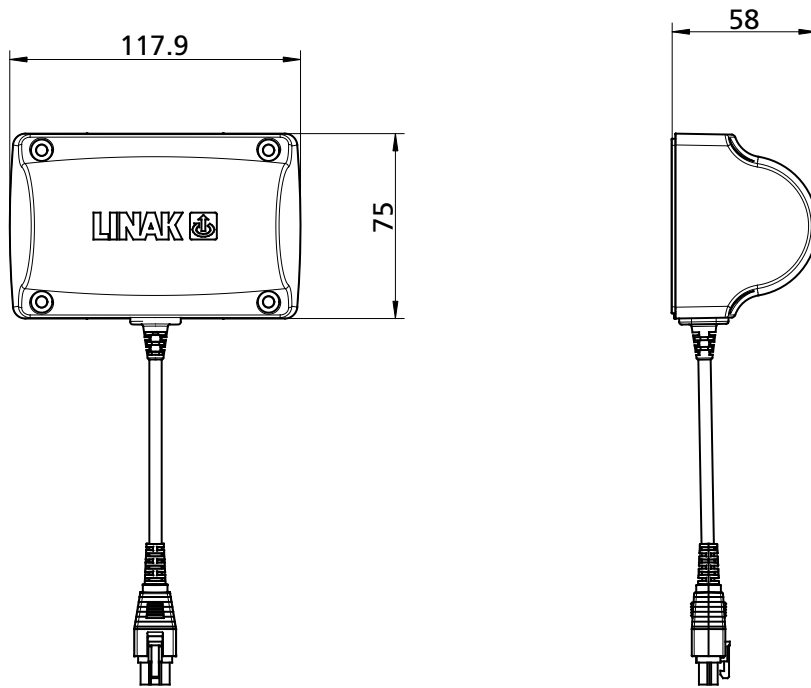
## Features:

- Supply voltage: 24 V DC
- Nuts for mounting bracket: 4 x M6 self-locking - DIN 985
- Duty cycle: 10% 30 min. max.
- Motor housing: VO Plastic PC / ABS, colour RAL 7016
- 6P Mini fit cable (1m)
- Integrated thermo switch (PTC) => cuts off when temperature arise
- Compatible with TD3 and CBH Advanced systems

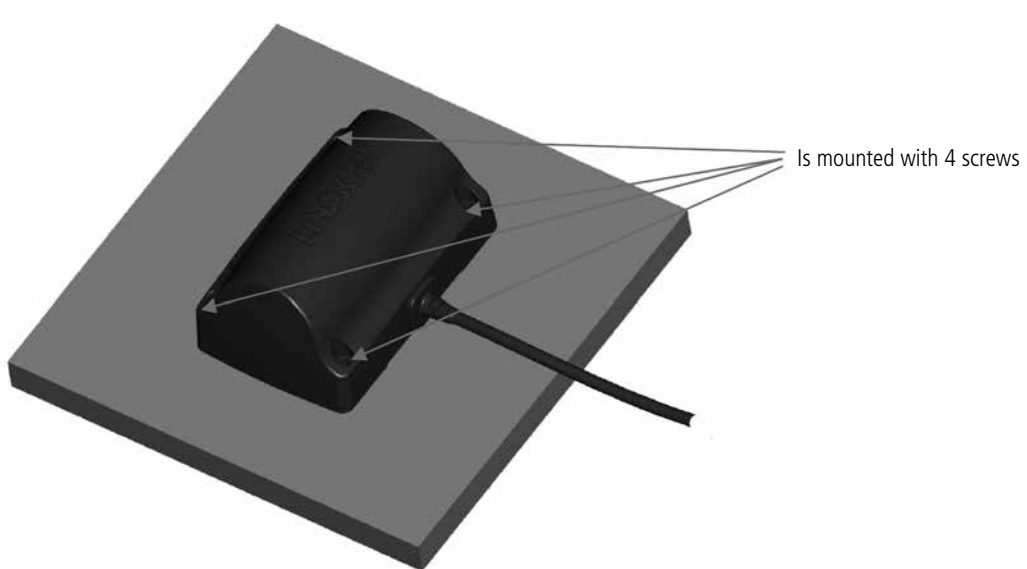
## Usage:

- 3 different ways of mounting

**Dimensions MD1000D2:**

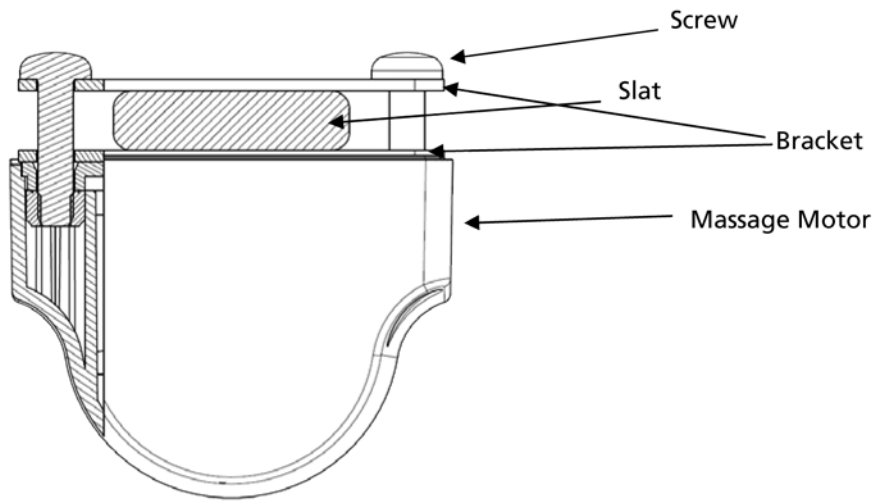


**Mounting instructions of the massage motor on a plate:**



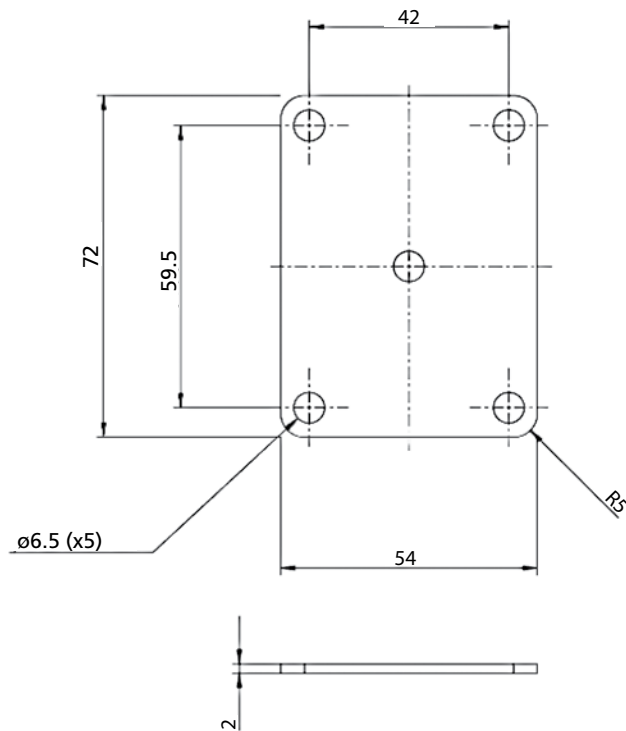
The massage unit must be mounted with 4 x 4 mm round headed wood screw with flat under side. The head must be 8 mm as diameter and in length 19 mm + the thickness of the plate where the massage motor is mounted. Torque max. 2 Nm + resistance in the plate.

**Mounting instructions of the massage motor by using brackets:**

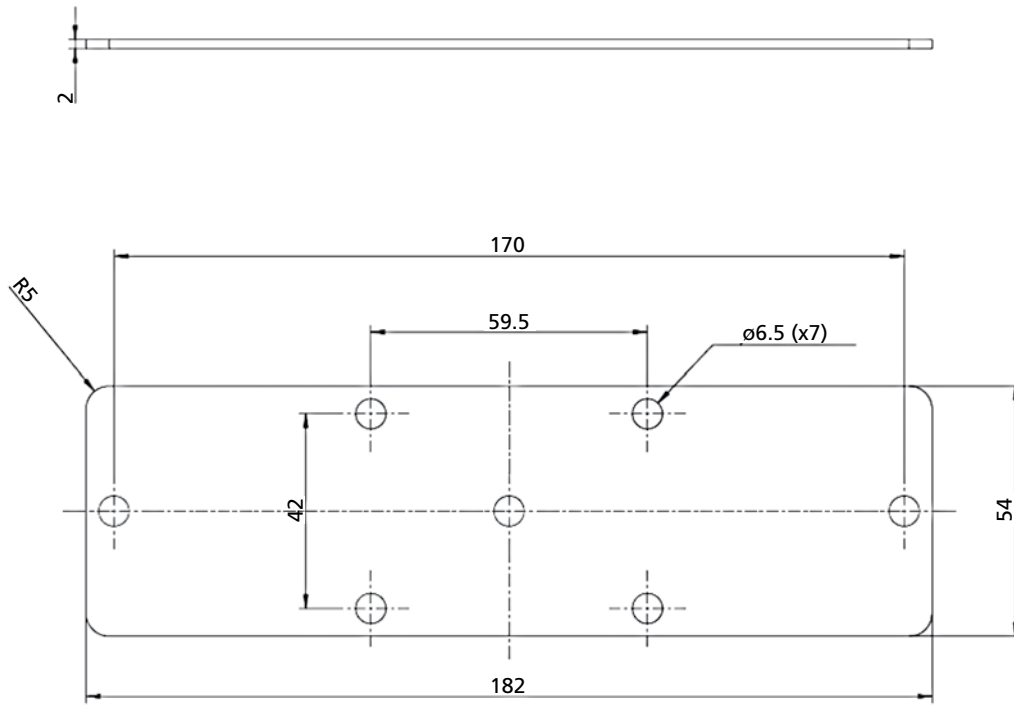


The massage unit is mounted with 4 x M6 round headed machine screw with flat underside. 15 to 20 mm long + the thickness of the bracket. Torque max. 2-3 Nm. 2 Brackets must be used – one on each side of the slat.

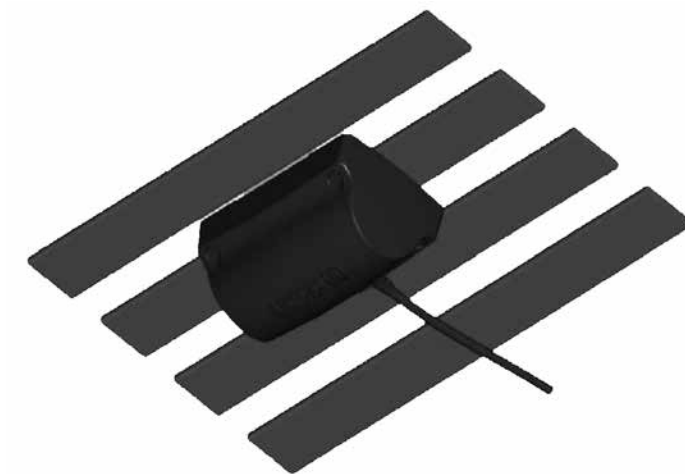
**Bracket Measurements:  
0761009**



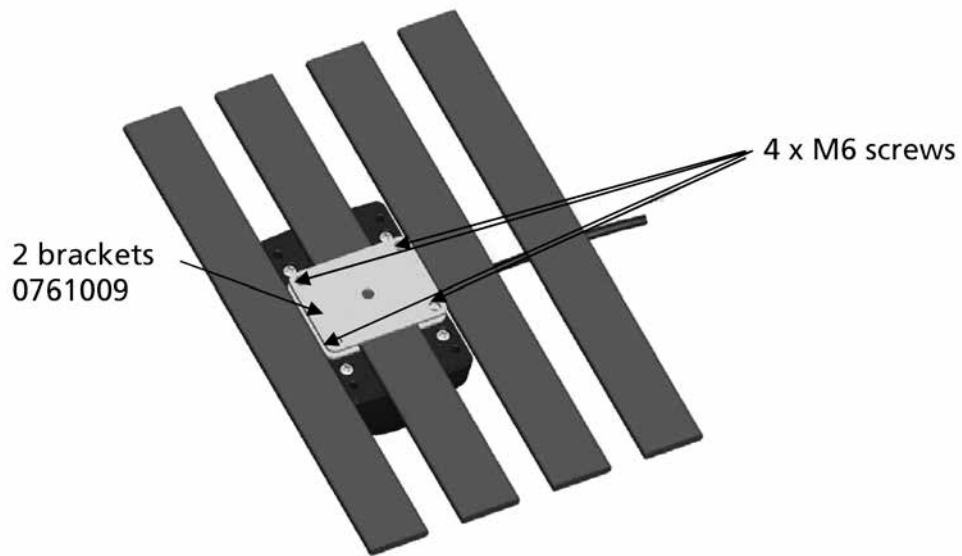
Bracket measurement:  
0761010



Mounted on one slat:

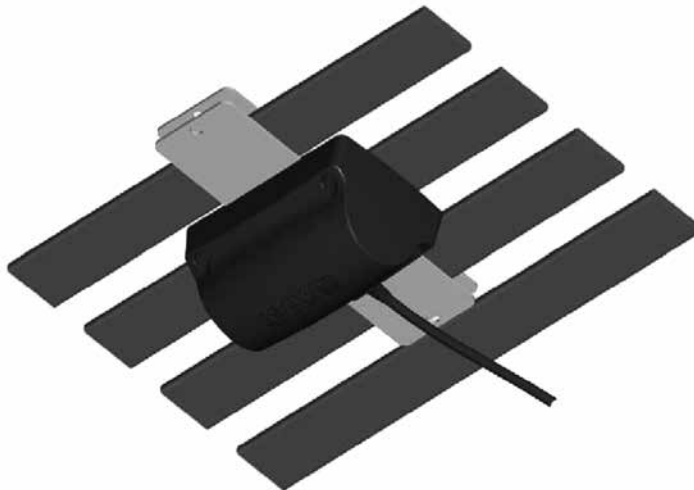


**Mounted on one slat:**



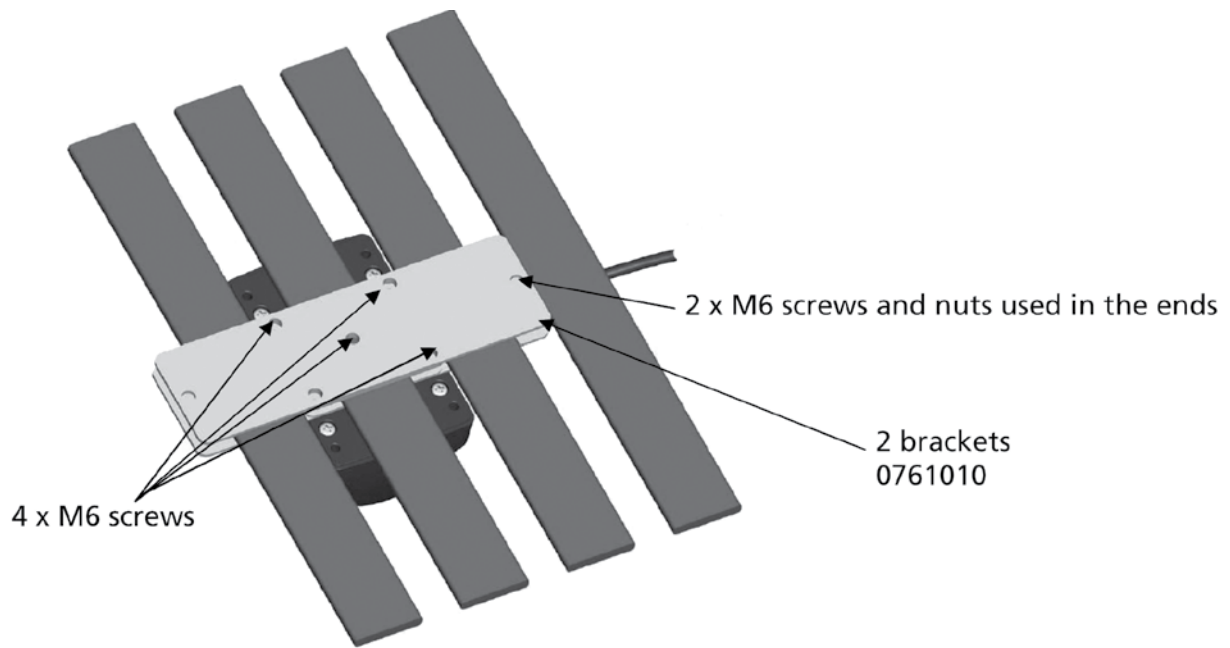
The massager motor is mounted to the slat by using 2 brackets 0761009 and 4 x M6 screws of good quality. Inside the motor 4 self locking nuts avoid the mounting screws to get loose.

**Mounting on three slats:**



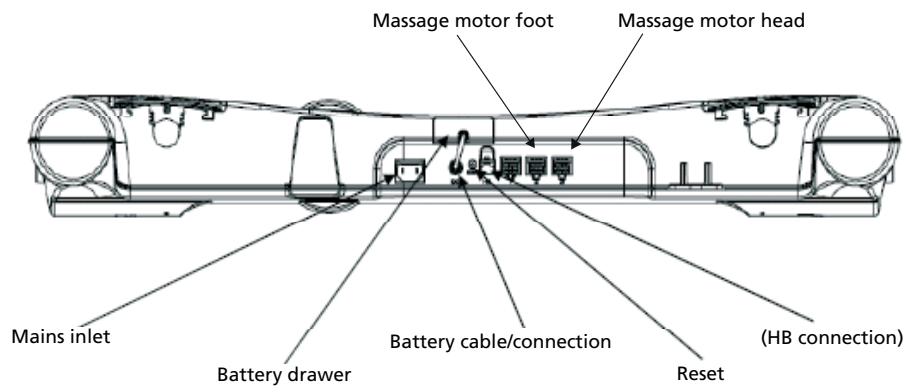
The massager motors are mounted on three slats with 2 brackets 0761010 and 6 x M6 screws of good quality and 2 self locking nuts. Inside the massager motor there are 4 self locking nuts to avoid the loosening of the screws.

**Mounting on three slats:**



**Installation instructions for the TWINDRIVE:**

**TD3**



As mentioned the message motors are connected directly to the TD3 in channels 1 and 2. Therefore, no extra control box and no extra handset are needed.

**The handsets HB20 for the massage system:**

The handset HB20 for massage can also control the functions of the bed, which means that the system only needs one handset.

To adjust the bed position in normal mode, the hand control is working exactly as a normal handset without the massage functionality, except there are only 2 memory positions instead of 3.

If there are any extra motors in the system, a specially customised HB20 is required.

For further information, please contact the nearest LINAK.



