



LED Lightbox Data sheet

LED Lightbox

The LED LIGHTBOX brings light to your bed application. The LED LIGHTBOX is a HOMELINE accessory compatible with the TWINDRIVE® TD3 system or the CBH Advanced control box. Based on plug and play principles, just connect the LED LIGHTBOX to the chosen system and you can switch the light on and off via the handset.

The LED LIGHTBOX is a compact unit only taking up limited space. Furthermore, the unit is very easy to mount either by using screws and mount on the bed frame or simply by using the groove on the TD3 and slide it on. A further feature of the unit is that you can connect more boxes and/or you can stack the box with the USB CONNECTOR and/or the DC CONNECTOR only taking up a minimum of space when mounting.



Features:

- Colour: dark grey RAL 7016
- Small compact size: (65 x 62 x 24 mm)

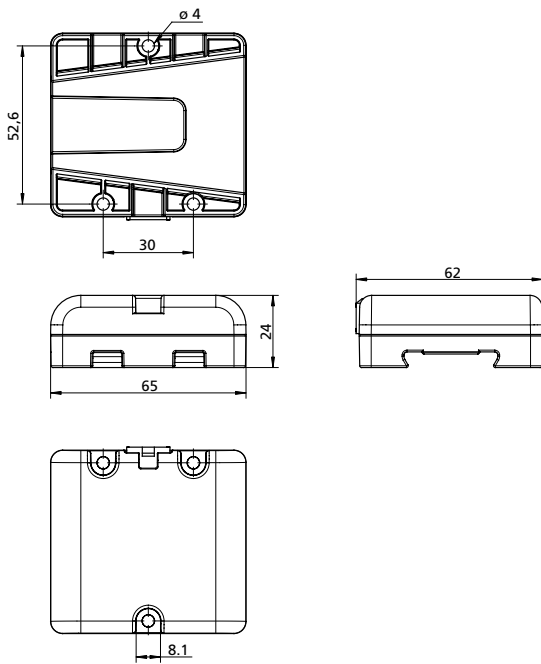
Options:

- Exchangeable motor cable, available in several lengths
- Furthermore, it is possible to dim the light via the configurator

Usage:

- Compatible with the TD33 and CBH Advanced systems
- 2 ways of mounting: either by the use of screws OR via the groove on the TD3
- Can be stacked with the DC CONNECTOR and/or the USB CONNECTOR
- Ambient temperature: +5° C to +40° C
- Storage and transportation temperature: -10° C to +70° C
- Will be approved according to EN 60335-1
- EMC approval according to EN 55014-1 / EN 55014-2

Dimensions LEDLIGHTBOX001:



HOMELINE® accessories can be stacked on each other simplifying mounting



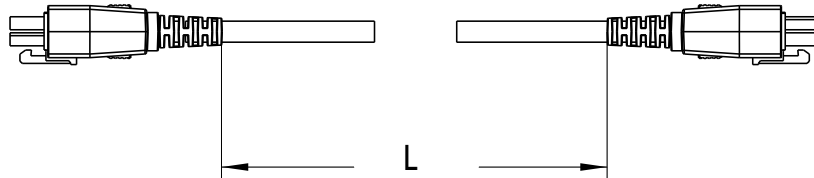
Ordering numbers:

LED LIGHTBOX:

- LEDLIGHTBOX001

Must be ordered in a multiplum of 68 pieces.

Motor cables (must be ordered separately):



- 0617101 = L = 200 mm, black motor cables
- 0617100 = L = 1000 mm, black motor cables
- 0617200 = L = 2000 mm, black motor cables
- 0617250 = L = 2500 mm, black motor cables

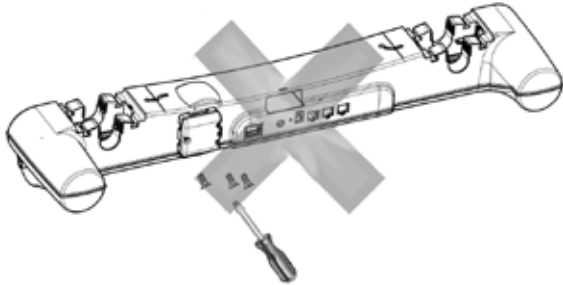
System operation:

As standard, the TD3/CBH Advanced system is set up to handle the LED LIGHTBOX. The light intensity is set to 100%. Via the TD3 Configurator/CBH Configurator, the light intensity can be changed.

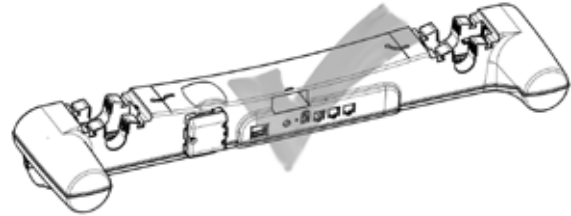
Mounting instructions:

Either slide the LEDLIGHTBOX on the groove on the TD3 or mount the unit on the bed frame using 3 wood screws with a maximum head diameter of 8 mm. Max. Torque 1 Nm.

The wrong way of mounting!



The correct way of mounting



All cables must be fixed to the bed to avoid disconnection when cleaning under the bed.

Terms of use

The user is responsible for determining the suitability of LINAK products for specific application. LINAK takes great care in providing accurate and up-to-date information on its products. However, due to continuous development in order to improve its products, LINAK products are subject to frequent modifications and changes without prior notice. Therefore, LINAK cannot guarantee the correct and actual status of said information on its products. While LINAK uses its best efforts to fulfill orders, LINAK cannot, for the same reasons as mentioned above, guarantee the availability of any particular product. Therefore, LINAK reserves the right to discontinue the sale of any product displayed on its website or listed in its catalogues or other written material drawn up by LINAK. All sales are subject to the Standard Terms of Sale and Delivery for LINAK. For a copy hereof, please contact LINAK.