



# LED Light Rail Data sheet

# LED Light Rail

---

The LED Light Rail is an accessory for the LA18 IC Advanced and the TD5 Advanced systems making it possible to add light under your bed design. The LED Light Rail is a small and compact rail with two white LEDs. The product is intended for fixed mounting below a bed with appropriate cable support. The LED Light Rail is turned on/off with the Under Bed Light button on the hand control.



---

## Features:

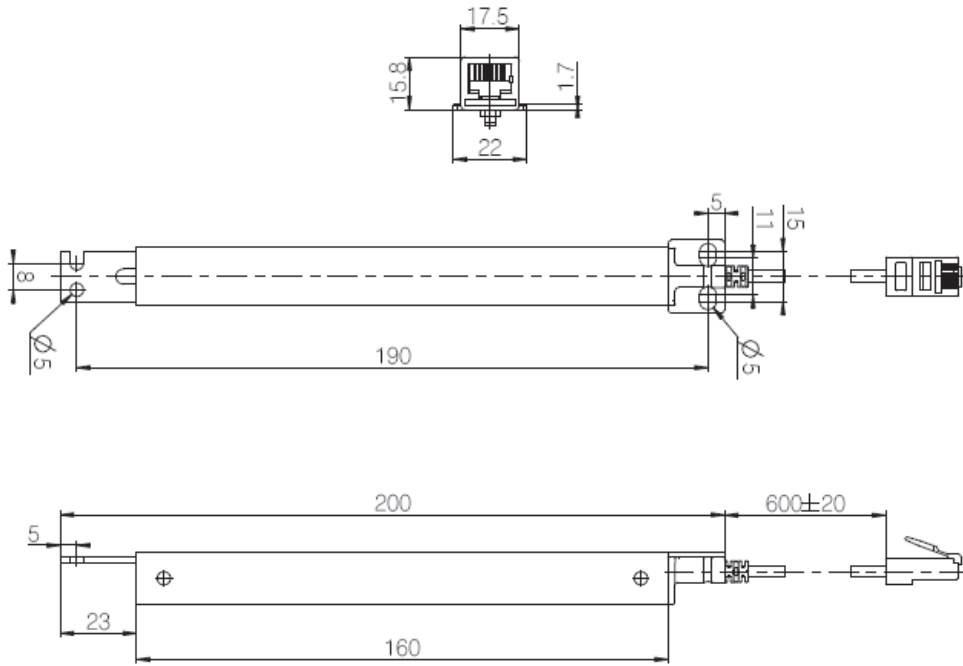
- White Under Bed Light (6000 to 9000 Kelvin)
- Typical 8 Lumen light intensity
- Zero Power capable
- PVC-Free™
- RJ45 plug and up to 1200 mm cable
- Screw holes for easy mounting under the bed
- Serial connection of up to three rails
- Turn on/off by one keypress on the hand control

## Usage:

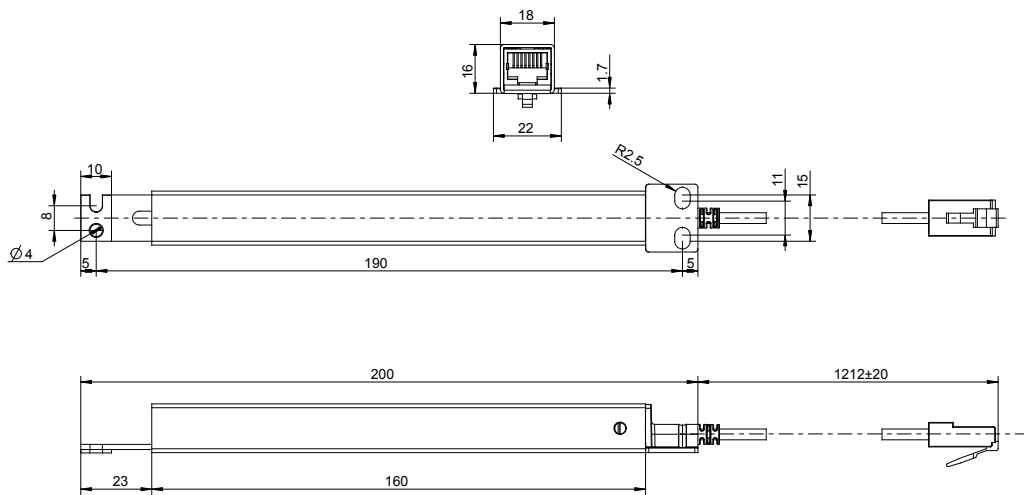
- Compatible with LA18 IC Advanced and TD5 Advanced
- Ambient temperature: 5 to 40 °C
- Storage and transport temperature: -10 to +50 °C

Dimensions

LEDLIGHTRAIL001



LEDLIGHTRAIL002



**LED Light Rail**  
Ordering example:

**LED Light Rail 001**

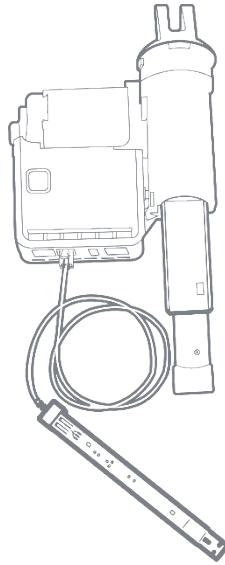
**Series:** 001 = Standard 2 LED, 600 mm cable  
002 = Standard 2 LED, 1200 mm cable

**Type:** LED Light Rail

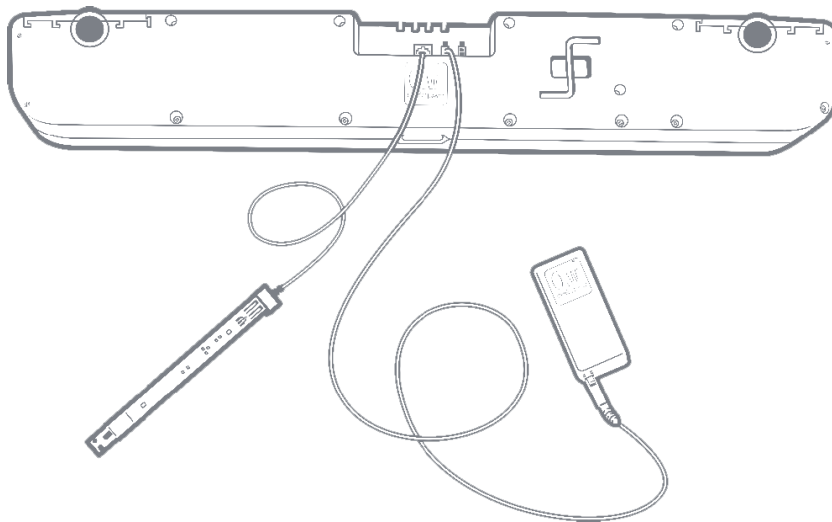
Order in quantities of 200 pieces.

## System overview

Simply connect the LEDLIGHTRAIL001 or the LEDLIGHTRAIL002 to the LA18 IC Advanced / TD5 Advanced using the RJ45 plug.



LED light rail connected to the LA18 IC Advanced



LED light rail connected to the TD5 Advanced

## Mounting

It is recommended to mount the LED Light Rail with two screws – one in each end of the LED Light Rail. The screws must be flat head type with max. 8 mm head and less than Ø5 in outer diameter. The torque depends on the mounting material and the screw type, but typically it is less than 1 Nm. Remember to ensure that the cables are properly fixed..

LINAK® accepts no responsibility for possible errors or inaccuracies in catalogues, brochures, and other material. LINAK reserves the right to change its products without prior notice. LINAK cannot guarantee product availability and reserves the right to discontinue the sale of any product. The user is responsible for determining the suitability of LINAK products for a specific application. All sales are subject to the 'Standard Terms of Sale and Delivery', available on LINAK websites.

LINAK and the LINAK logotype are registered trademarks of LINAK A/S. All rights reserved.