



Kick & Click™ Data Sheet



Fixed

Adjustable
StandardAdjustable
Compact

Base

3rd leg kit

The Kick & Click™ system is the smart and intuitive solution for mounting DESKLIFT™ columns to the tabletop. The solution is perfect for various office desks. The unique feature of Kick & Click is the way of mounting. Click the system together without using tools and screws, simply clever. Kick & Click is a modular concept compatible with all DESKLINE® columns with motor housing leaving the design to the desk manufacturer. Kick & Click comes standard in 3 variants: Kick & Click Adjustable (standard or compact), Kick & Click Fixed, and Kick & Click Base. Additionally, Kick & Click can be used for creating large three-legged office desks by joining a Kick & Click 3rd leg kit with a Kick & Click system.

Features/Usage

Features

All versions

- Max. total load (including the tabletop):
 - Two-legged desks: 160 kg equally loaded, i.e. 80 kg on each column
 - Three-legged desks: 240 kg equally loaded, i.e. 80 kg on each column
- Colour (all metal parts): Available in black (RAL 9005), grey (RAL 9006), or white (RAL 9016)
- Cantilever length: 550 mm
- Oval holes ensure flexibility as regards pre-drilling holes in tabletop
- Central or off-centre placement of columns (T-desk or C-desk)

Kick & Click Fixed

- Fits desks of 1200 mm (frame width 1140 mm)
- Set-packed or bulk deliveries
- Can be delivered with screws for mounting the tabletop

Kick & Click Adjustable

- Fits desks
 - Standard: from 1400 to 2000 mm (frame width 1340 to 1940 mm)
 - Compact: from 1000 to 1300 mm (frame width 940 to 1240 mm)
- Set-packed (both versions) or bulk deliveries (standard version only)
- Can be delivered with screws for mounting the tabletop

Kick & Click Base

- Base consists of Cantilever (x2), Base (x2), Clamp (x2) and Kick Lock (x2) for a two-legged desk
- Bulk deliveries only

3rd leg kit (with Kick & Click Fixed or Adjustable)

- Fits desks of 1200 to 2000 mm + 1600 to 2600 mm (frame width 940 to 1940 mm + 1100 to 1700 mm)
- Set-packed or bulk deliveries

Usage

- DESKLINE® systems based on columns (standard or IC) with motor housing: DL5, DL6, DL8, DL9, DL10, DL11, DL15, DL16, DL18, DL19, DL20, or DL21
- Can be used for either T-desk (central placement of legs) or C-desk (off-centre placement of legs)
- Kick & Click Adjustable complies with EN527-1 and EN527-2 for tabletops sized from 1.4 m to 2.0 m (standard) or from 1.0 m to 1.3 m (compact)
- Kick & Click (two-legged) complies with ANSI BIFMA X5.5 up to 1.8 m table length
- Kick & Click (three-legged) complies with ANSI BIFMA X5.5 up to 1.8 m + 1.8 m table size
- If a complete desk frame is required, use Kick & Click together with DESKLIFT™ Feet (DLF) and a DL SetPack solution

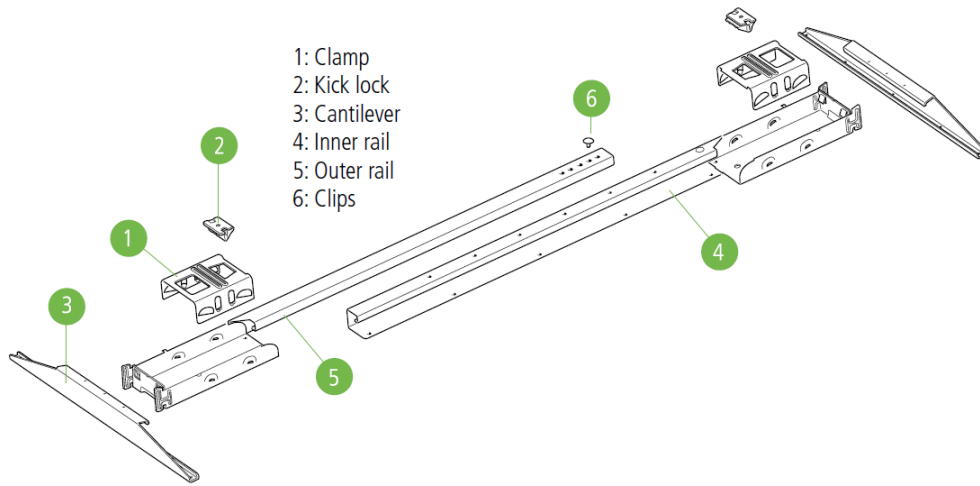
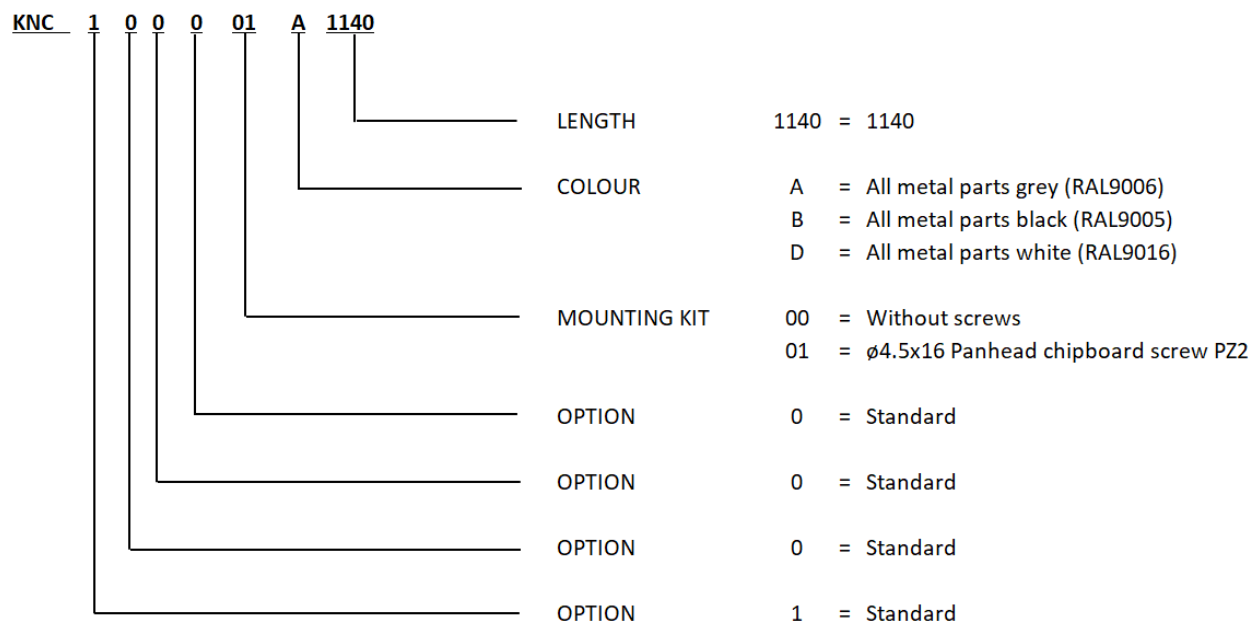


Figure 1 Names of Kick & Click parts

Ordering examples


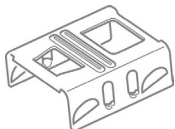
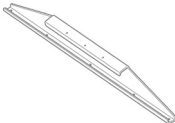

Kick & Click™ Fixed

Set-packed delivery



50 sets fit on a standard pallet.

Bulk delivery

Product	Description	Units needed per desk	Article number
	Kick Lock	2	SA1003W1003, black
	Clamp	2	SA1003W3001-120, grey SA1003W3001-001, black SA1003W3001-022, white
	Cantilever	2	SA1003W3002-550-120, grey SA1003W3002-550-001, black SA1003W3002-550-022, white
	Fixed rail with bases	1	SA1003W3005-1134-120, grey SA1003W3005-1134-001, black SA1003W3005-1134-022, white

Kick & Click™ Adjustable


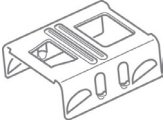
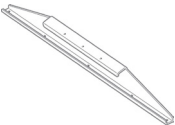
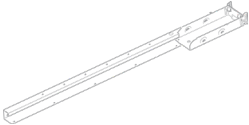
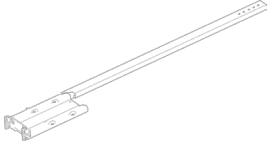

Set-packed delivery

<p>KNC 1 0 0 0 01 A 1340 - 1940</p>	<p>FULLY EXTENDED LENGTH * FULLY RETRACTED LENGTH * COLOUR MOUNTING KIT OPTION OPTION OPTION OPTION</p>	<p>1940 = Standard 1280 = Compact 1340 = Standard 0970 = Compact A = All metal parts grey (RAL9006) B = All metal parts black (RAL9005) D = All metal parts white (RAL9016) 00 = Without screws 01 = ø4.5x16 Panhead chipboard screw PZ2 0 = Standard 0 = Standard 0 = Standard 1 = Standard</p>
--	--	--

*: Both must always be the same version, either 'Standard' or 'Compact'


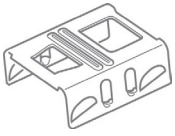
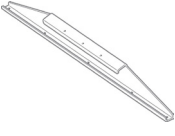
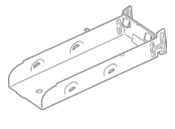
50 sets fit on a standard pallet.

Bulk delivery (standard version only)

Product	Description	Units needed per desk	Article number
	Kick Lock	2	SA1003W1003, black
	Clamp	2	SA1003W3001-120, grey SA1003W3001-001, black SA1003W3001-022, white
	Cantilever	2	SA1003W3002-550-120, grey SA1003W3002-550-001, black SA1003W3002-550-022, white
	Inner rail	1	SA1003W3003-1062-120, grey SA1003W3003-1062-001, black SA1003W3003-1062-022, white
	Outer rail	1	SA1003W3004-1062-120, grey SA1003W3004-1062-001, black SA1003W3004-1062-022, white
	Clips	1	SA1003W1008, black

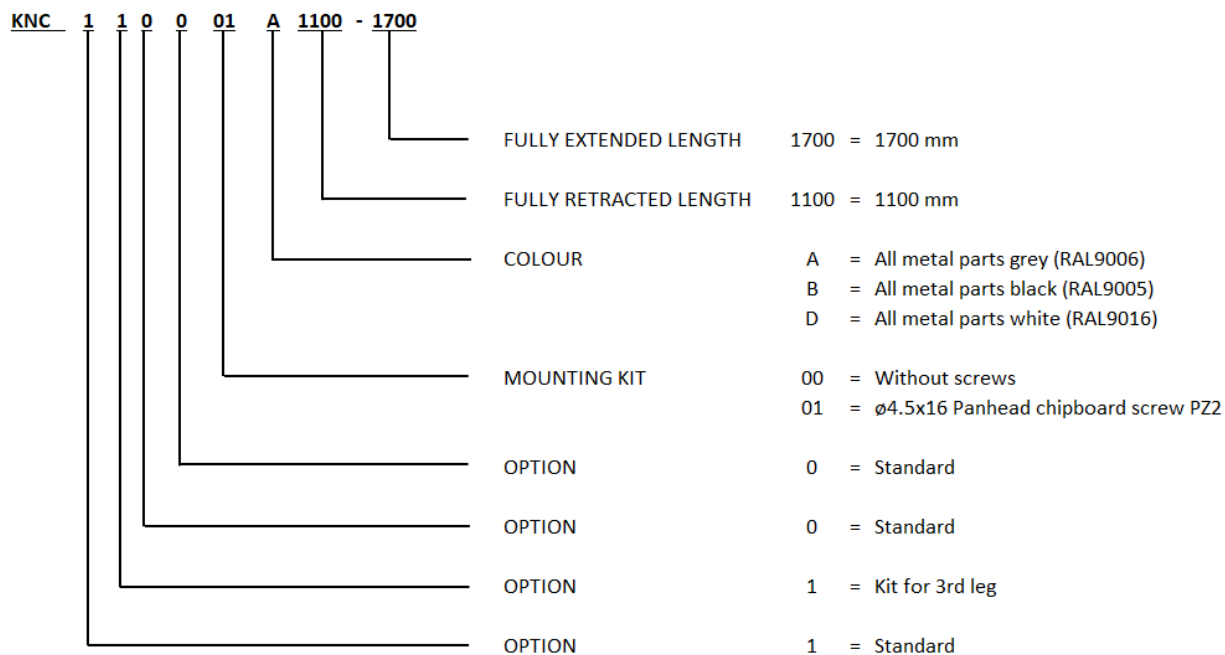
Kick & Click™ Base

Bulk delivery (the only option)


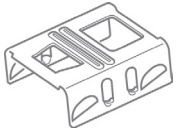
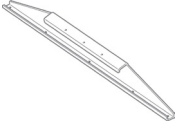
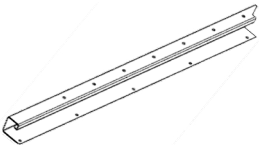
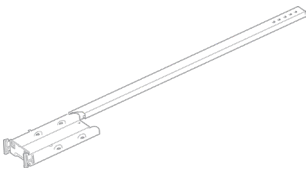

Product	Description	Units needed per desk	Article number
	Kick Lock	2	SA1003W1003, black
	Clamp	2	SA1003W3001-120, grey SA1003W3001-001, black SA1003W3001-022, white
	Cantilever	2	SA1003W3002-550-120, grey SA1003W3002-550-001, black SA1003W3002-550-022, white
	Base	2	SA1003W3006-120, grey SA1003W3006-001, black SA1003W3006-022, white SA1003W3006-000, unpainted

Kick & Click™ 3rd leg kit

Set-packed delivery



Bulk delivery

Product	Description	Units needed per desk	Article number
	Kick Lock	2	SA1003W1003, black
	Clamp	2	SA1003W3001-120, grey SA1003W3001-001, black SA1003W3001-022, white
	Cantilever	2	SA1003W3002-550-120, grey SA1003W3002-550-001, black SA1003W3002-550-022, white
	Inner rail with cut	1	SA1003W3007-120, grey SA1003W3007-001, black SA1003W3007-022, white
	Outer rail	1	SA1003W3004-1062-120, grey SA1003W3004-1062-001, black SA1003W3004-1062-022, white
	Clips	1	SA1003W1008, black

Dimensional drawings



All measurements are without powder coating.

Kick & Click Fixed

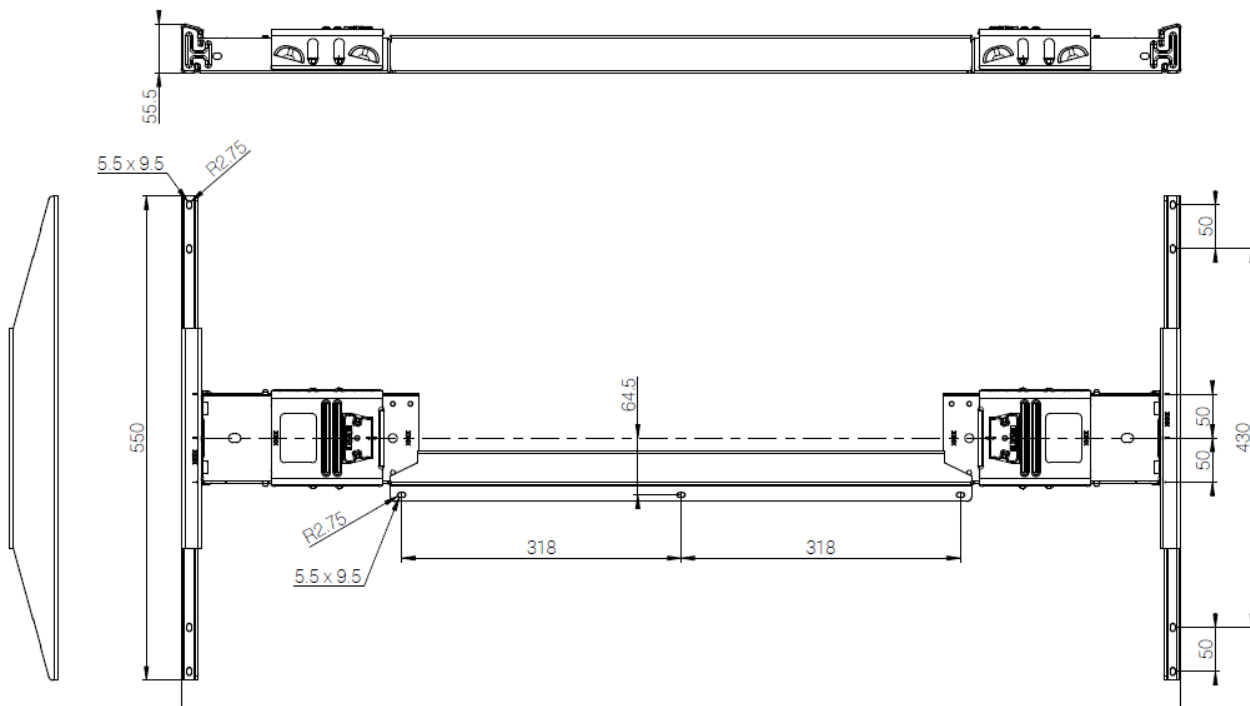


Figure 2 Kick & Click Fixed dimensions in mm

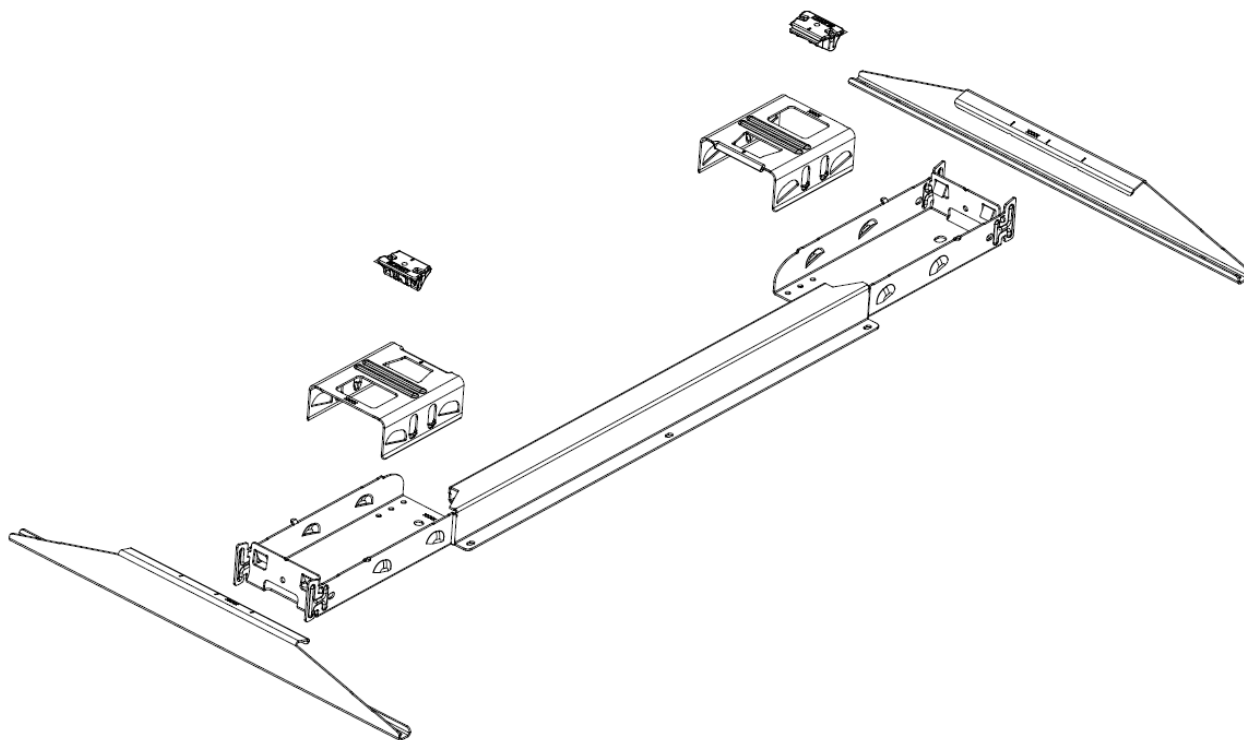


Figure 3 Kick & Click Fixed exploded view

Compared to the Kick & Click Adjustable system the Kick & Click Fixed system only consists of one rail with the base welded onto it in both ends.

Kick & Click Adjustable

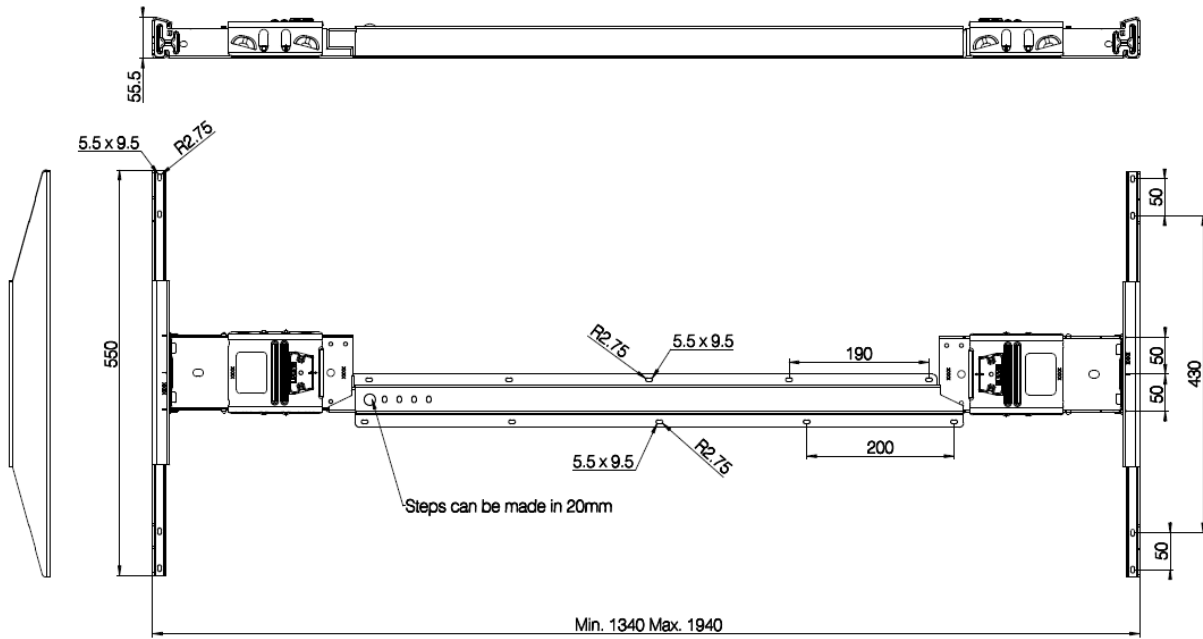


Figure 4 Kick & Click Adjustable (standard) dimensions in mm

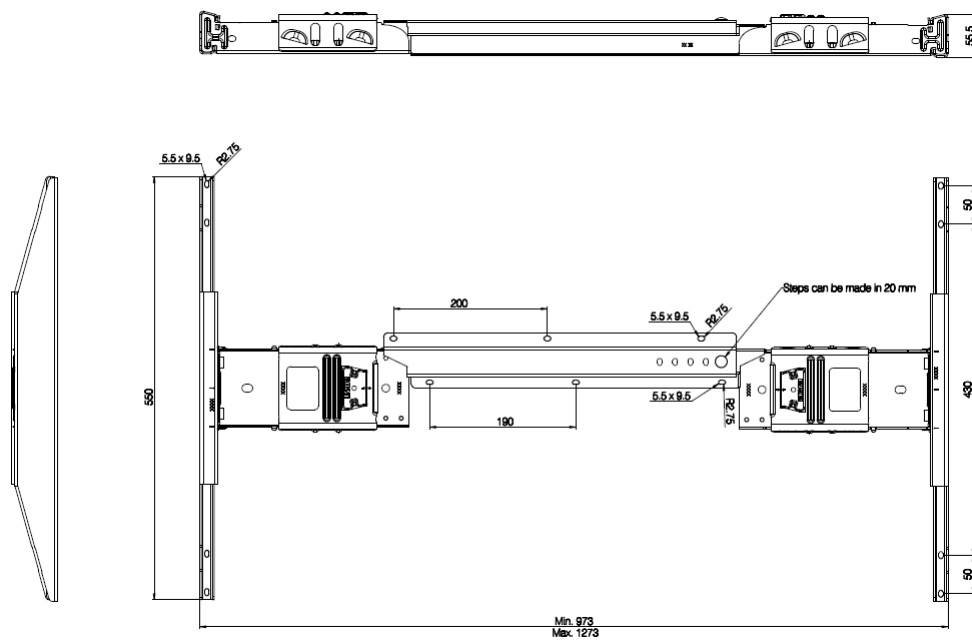


Figure 5 Kick & Click Adjustable (compact) dimensions in mm

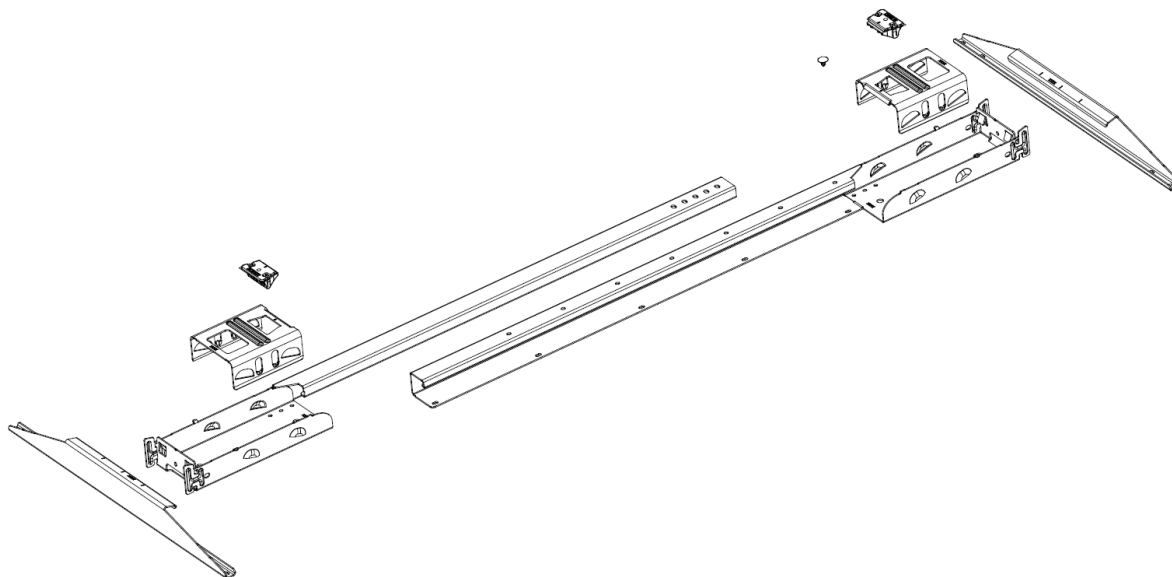


Figure 6 Kick & Click Adjustable exploded view

The Kick & Click Adjustable system includes a telescopic inner and outer rail each with the base welded onto it.

Kick & Click Base

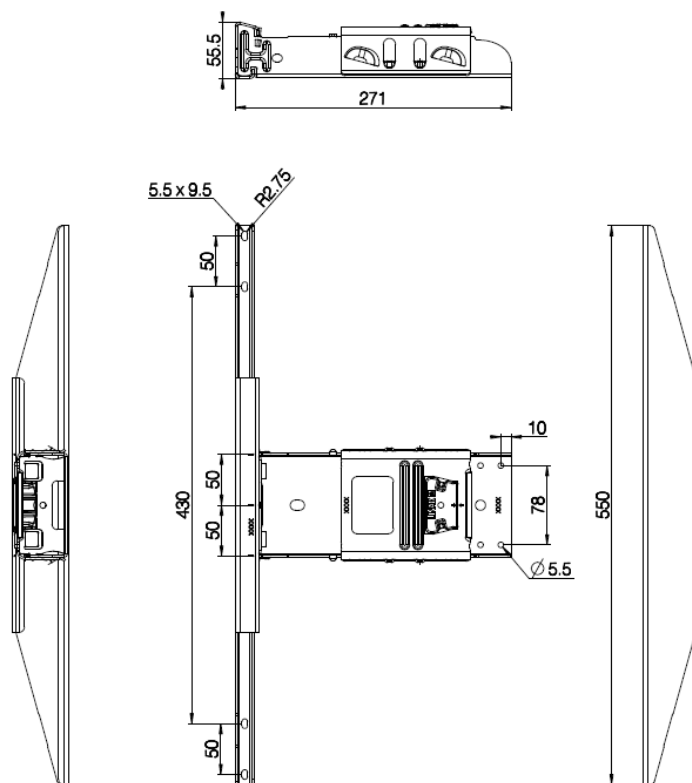


Figure 7 Kick & Click Base dimensions in mm

The Kick & Click Base system is without the inner and outer rails. The system is preferred if the OEM wants to weld his own rail onto the base, or if the desk design does not need a rail e.g. due to the tabletop thickness. The Kick & Click Base system can also be used for a three-legged desk.

Parts delivered	Allowed welding areas (shaded)



The Kick & Click Base must only be used in connection with a Kick & Click cantilever. Do not develop your own cantilever!

Kick & Click 3rd leg kit

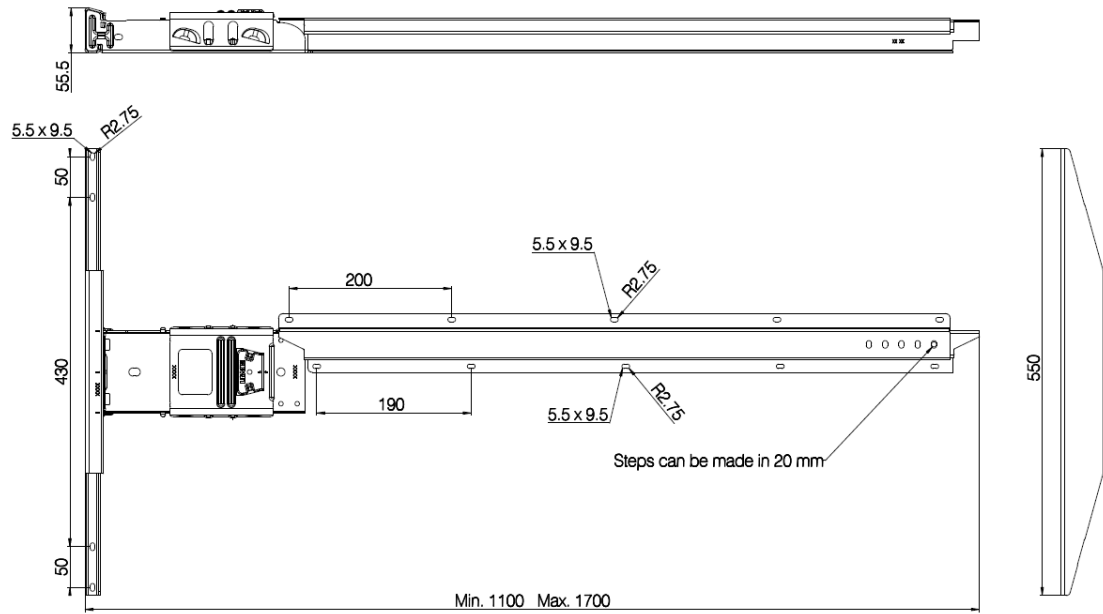


Figure 8 Kick & Click 3rd leg kit dimensions in mm

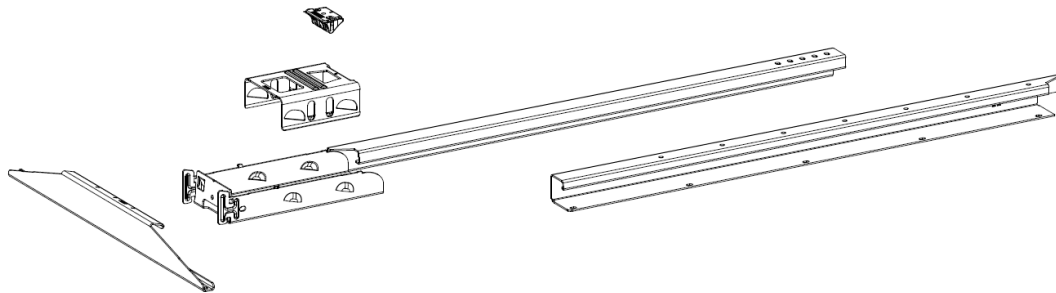


Figure 9 Kick & Click 3rd leg kit exploded view

The Kick & Click 3rd leg kit system includes a telescopic inner and outer rail and has only one base, which is welded onto the outer rail.

FACTORIES

DENMARK - HEADQUARTERS
 LINAK A/S
 PHONE: +45 73 15 15 15
 FAX: +45 74 45 80 48
 FAX (SALES): +45 73 15 16 13
 WWW.LINAK.COM

CHINA
 LINAK (SHENZHEN) ACTUATOR SYSTEMS, LTD.
 PHONE: +86 755 8610 6656
 PHONE: +86 755 8610 6990
 WWW.LINAK.CN

SLOVAKIA
 LINAK SLOVAKIA S.R.O.
 PHONE: +421 51 7563 444
 WWW.LINAK.SK

THAILAND
 LINAK APAC LTD.
 PHONE: +66 33 265 400
 WWW.LINAK.COM

USA
 LINAK U.S. INC.
 AMERICAS HEADQUARTERS
 PHONE: +1 502 253 5595
 FAX: +1 502 253 5596
 WWW.LINAK-US.COM
 WWW.LINAK-LATINAMERICA.COM

SUBSIDIARIES

Australia
 LINAK Australia Pty. Ltd
 Phone: +61 3 8796 9777
 Fax: +61 3 8796 9778
 E-mail: sales@linak.com.au
 www.linak.com.au

Austria
 LINAK Repräsentanz - Österreich (Wien)
 Phone: +43 (1) 890 7446
 Fax: +43 (1) 890 744615
 E-mail: info@linak.de
 www.linak.at - www.linak.hu

Belgium
 LINAK Actuator-Systems NV/SA
 (Belgium & Luxembourg)
 Phone: +32 (0)9 230 01 09
 E-mail: beinfo@linak.be
 www.linak.be - www.fr.linak.be

Brazil
 LINAK Do Brasil Comércio De Atuadores Ltda.
 Phone: +55 (11) 2832 7070
 Fax: +55 (11) 2832 7060
 E-mail: info@linak.com.br
 www.linak.com.br

Canada
 LINAK Canada Inc.
 Phone: +1 502 253 5595
 Fax: +1 416 255 7720
 E-mail: info@linak.ca
 www.linak-us.com

Czech Republic
 LINAK C&S s.r.o.
 Phone: +42 058 174 1814
 Fax: +42 058 170 2452
 E-mail: info@linak.cz
 www.linak.cz - www.linak.sk

Denmark - International
 LINAK International
 Phone: +45 73 15 15 15
 E-mail: info@linak.com
 www.linak.com

Denmark - Sales
 LINAK DANMARK A/S
 Phone: +45 86 80 36 11
 Fax: +45 86 82 90 51
 E-mail: linak@linak-silkeborg.dk
 www.linak.dk

Finland
 LINAK OY
 Phone: +358 10 841 8700
 E-mail: linak@linak.fi
 www.linak.fi

France
 LINAK FRANCE E.U.R.L.
 Phone: +33 (0) 2 41 36 34 34
 Fax: +33 (0) 2 41 36 35 00
 E-mail: linak@linak.fr
 www.linak.fr

Germany
 LINAK GmbH
 Phone: +49 6043 9655 0
 Fax: +49 6043 9655 60
 E-mail: info@linak.de
 www.linak.de

India
 LINAK A/S India Liaison Office
 Phone: +91 120 4531797
 Fax: +91 120 4786428
 E-mail: info@linak.in
 www.linak.in

Ireland
 LINAK UK Limited (Ireland)
 Phone: +44 (0)121 544 2211
 Fax: +44 (0)121 544 2552
 +44 (0)796 855 1606 (UK Mobile)
 +35 387 634 6554

(Republic of Ireland Mobile)
 E-mail: sales@linak.co.uk
 www.linak.co.uk

Italy
 LINAK ITALIA S.r.l.
 Phone: +39 02 48 46 33 66
 Fax: +39 02 48 46 82 52
 E-mail: info@linak.it
 www.linak.it

Japan
 LINAK K.K.
 Phone: 81-45-533-0802
 Fax: 81-45-533-0803
 E-mail: linak@linak.jp
 www.linak.jp

Malaysia
 LINAK Actuators Sdn. Bhd.
 Phone: +60 4 210 6500
 Fax: +60 4 226 8901
 E-mail: info@linak-asia.com
 www.linak.my

Netherlands
 LINAK Actuator-Systems B.V.
 Phone: +31 76 5 42 44 40 /
 +31 76 200 11 10
 E-mail: info@linak.nl
 www.linak.nl

New Zealand
 LINAK New Zealand Ltd
 Phone: +64 9580 2071
 Fax: +64 9580 2072
 E-mail: nzsales@linak.com.au
 www.linak.com.au

Norway
 LINAK Norge AS
 Phone: +47 32 82 90 90
 E-mail: info@linak.no
 www.linak.no

Poland
 LINAK Polska
 LINAK Danmark A/S (Spółka Akcyjna)
 Phone: +48 22 295 09 70 /
 +48 22 295 09 71
 E-mail: info@linak.pl
 www.linak.pl

Republic of Korea
 LINAK Korea Ltd.
 Phone: +82 2 6231 1515
 Fax: +82 2 6231 1516
 E-mail: info@linak.kr
 www.linak.kr

Slovakia
 LINAK SLOVAKIA S.R.O.
 Phone: +421 51 7563 444
 www.linak.sk

Spain
 LINAK Actuadores, S.L.U.
 Phone: +34 93 588 27 77
 Fax: +34 93 588 27 85
 E-mail: esma@linak.es
 www.linak.es

Sweden
 LINAK Scandinavia AB
 Phone: +46 8 732 20 00
 Fax: +46 8 732 20 50
 E-mail: info@linak.se
 www.linak.se

Switzerland
 LINAK AG
 Phone: +41 43 388 31 88
 Fax: +41 43 388 31 87
 E-mail: info@linak.ch
 www.linak.ch - www.fr.linak.ch
 www.it.linak.ch

Taiwan
 LINAK (Shenzhen) Actuator systems Ltd.
 Taiwan Representative office
 Phone: +886 2 272 90068
 Fax: +886 2 272 90096
 E-mail: sales@linak.com.tw
 www.linak.com.tw

Turkey
 LINAK İth. İhr. San. ve Tic. A.Ş.
 Phone: +90 312 4726338
 Fax: +90 312 4726635
 E-mail: info@linak.com.tr
 www.linak.com.tr

United Kingdom
 LINAK UK Limited
 Phone: +44 (0)121 544 2211
 Fax: +44 (0)121 544 2552
 E-mail: sales@linak.co.uk
 www.linak.co.uk

DISTRIBUTORS

Argentina
 NOVOTEC ARGENTINA SRL
 Phone: 011-4303-8989 / 8900
 Fax: 011-4032-0184
 E-mail: info@novotecargentina.com
 www.novotecargentina.com

Colombia
 MEM Ltda
 Phone: +[57] (1) 334-7666
 Fax: +[57] (1) 282-1684
 E-mail: servicioalcliente@memltda.com.co
 www.mem.net.co

India
 Mechatronics Control Equipments India Pvt Ltd
 Phone: +91-44-28558484, 85
 E-mail: bala@mechatronicscontrol.com
 www.mechatronicscontrol.com

Indonesia
 PT. HIMALAYA EVEREST JAYA
 Phone: +6 221 544 8956,
 +6 221 544 8965
 Fax: +6 221 619 1925
 Fax (Sales): +6 221 619 4658
 E-mail: hejplastic-div@centrin.net.id
 www.hej.co.id

Israel
 NetivTech LTD
 Phone: +972 55-2266-535
 Fax: +972 2-9900-560
 Email: info@NetivTech.com
 www.netivtech.com

Singapore
 Servo Dynamics Pte Ltd
 Phone: +65 6844 0288
 Fax: +65 6844 0070
 E-mail: servodynamics@servo.com.sg

South Africa
 Industrial Specialised Applications CC
 Phone: +27 011 466 0346
 E-mail: gartht@isagroup.co.za
 www.isaza.co.za

United Arab Emirates
 Mechatronics
 Phone: +971 4 267 4311
 Fax: +971 4 267 4312
 E-mail: mechtron@emirates.net.ae

Terms of use

LINAK® takes great care in providing accurate and up-to-date information on its products. However, the user is responsible for determining the suitability of LINAK products for a specific application. Due to continual development, LINAK products are subject to frequent modifications and changes. LINAK reserves the rights to conduct modifications, updates, and changes without any prior notice. For the same reason, LINAK cannot guarantee the correctness and actual status of imprinted information on its products.

LINAK uses its best efforts to fulfil orders. However, for the reasons mentioned above, LINAK cannot guarantee availability of any particular product at any given time. LINAK reserves the right to discontinue the sale of any product displayed on its website or listed in its catalogues or in other written material created and produced by LINAK, LINAK subsidiaries, or LINAK affiliates. All sales are subject to the 'Standard Terms of Sale and Delivery for LINAK A/S' available on LINAK websites. LINAK and the LINAK logotype are registered trademarks of LINAK A/S. All rights reserved.