



Infrared Receiver OpenBus™ IRO Data sheet

IRO

The IRO (Infrared Receiver OpenBus™) has been developed as a part of the accessory portfolio to be available for the CB OpenBus™ family.
The receiver is fitted to the bed so that the bed movement can be controlled with signals received from a remote control (C-Type Transmitter).



Features:

- Applications : Care beds, etc.
- Compact design housing
- Max. operational distance from receiver 10 metres
- Connection to CB or MJB with standard Modular Jack cable (same as for ACX)
- IPX4
- Colour, RAL 7035 (light grey)
- Compatible with HB20, C-Type (Transmitter)
- 1 frequency

USP/KSP':

- Personal handset for Nurses/Staff
- 1 handset for multiple bed's (Institution / Nursing home)
- Possible to save money compared to fixed handsets
- Easier to control spread of bacteria (If a nurse has own handset. Nurses' wash their hands frequently, visitors do not)
- Operation of the bed from a longer distance
- More flexibility in daily use
- No wires from handset to the bed
- Easy to mount
- Cost optimised

Usage:

- Ambient temperature +5° to + 40°C
- Current consumption: 10mA (V-bus 8V)

Compatibility:

- Control Boxes with OpenBus™ interface
- HB20, C-Type (Transmitter)

• **Approval information:**

Normally LINAK makes a general approval for product combinations. However in the case of the IRO this is not possible.

Explanation:

In a situation where there are several beds in a room there is a risk that more than one bed reacts to the IRO signal. There is also a small risk that other "IR" devices (TV remotes etc.) could cause an activation.

It is this possibility of "unintentional movement" that prevents us from obtaining an approval with UL Demko.

The customer can however obtain an approval if they are able to show (in their risk analysis), that "unintentional movement" cannot occur (this could be e.g. described in their user manuals).

To summarize:

The customer can obtain an IRO approval in their systems, but LINAK is unfortunately not able to obtain an approval.

• **Use of IRO:**

In systems where IRO is used, interference from other devices using infrared light can occur. E.g. it could be safety systems such as LINAK's own anti-entrapment system which constantly sends an "IR" beam. In such systems it is possible that units do not work together.

Mutual interference can occur i.e. IRO's receiver is unable to interpret the HB20 signal, also the LINAK's anti-entrapment system may not function correctly when an "IR" signal is sent from HB20.

It is the customer's responsibility to decide whether or not these interferences are acceptable.

To summarize:

Only one "IR" device per system is recommended

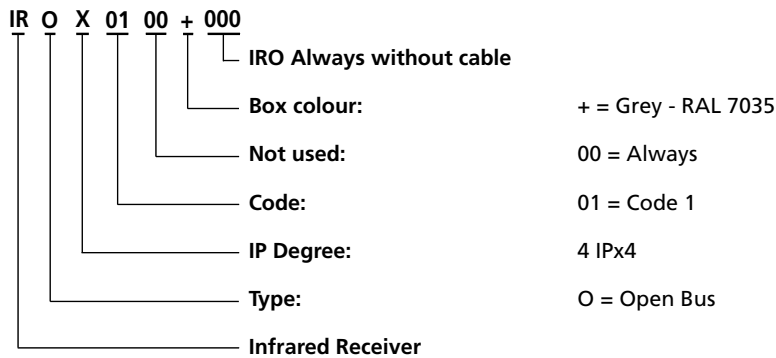
Precautions:



- The IRO does not operate when the CB runs on batteries.
- Always use Locking ring and cables w. O-rings.
- Locking ring and cables with O-rings must be fitted to ensure IP degree.
- We recommend using pan head machined screws for mounting the IRO, with a maximum torque of 2 Nm

IRO

Ordering example:



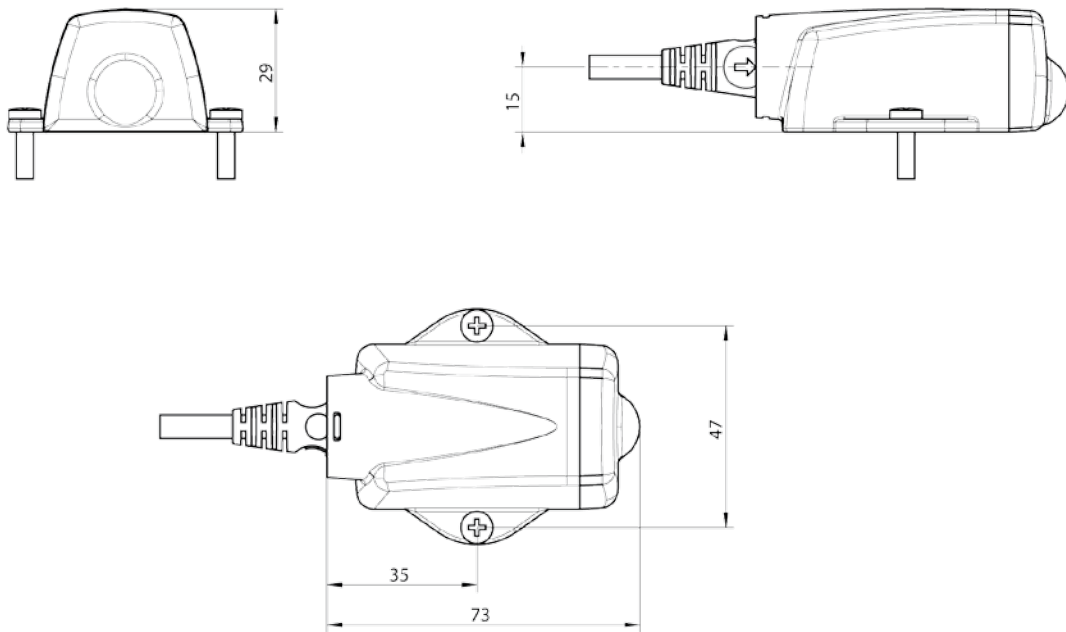
Cables:

- 0277054-300 Modular jack-modular jack (5 wire straight)-RAL 7035
- 0277054-1250 Modular jack-modular jack (5 wire straight)-RAL 7035
- 0277054-2500 Modular jack-modular jack (5 wire straight)-RAL 7035

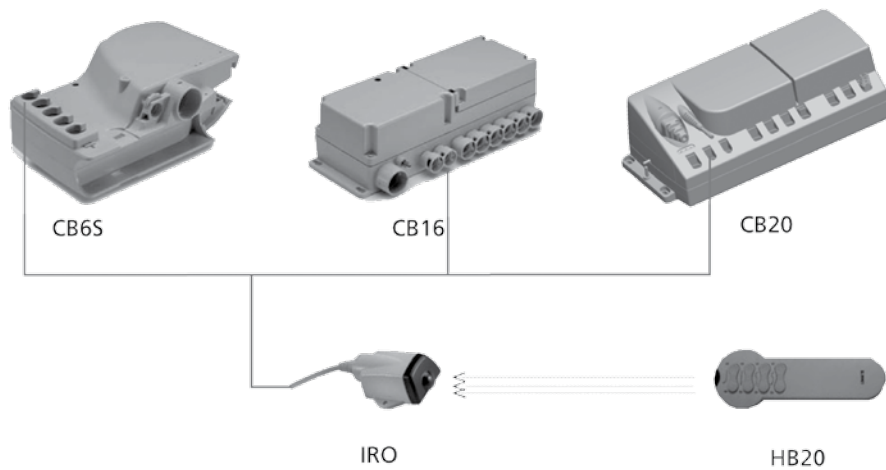
N.B.

- Cables are inclusive an O-ring.
- Locking ring included when ordering IRO

Dimensions:



How to connect the IRO:



Functionalities OpenBus™ key nos.:

H8	H2	H3	H9
H28	H0	H1	H29
	H4	H5	
	H10	H11	
	H6	H7	



Terms of use

The user is responsible for determining the suitability of LINAK products for specific application. LINAK takes great care in providing accurate and up-to-date information on its products. However, due to continuous development in order to improve its products, LINAK products are subject to frequent modifications and changes without prior notice. Therefore, LINAK cannot guarantee the correct and actual status of said information on its products. While LINAK uses its best efforts to fulfil orders, LINAK cannot, for the same reasons as mentioned above, guarantee the availability of any particular product. Therefore, LINAK reserves the right to discontinue the sale of any product displayed on its website or listed in its catalogues or other written material drawn up by LINAK. All sales are subject to the Standard Terms of Sale and Delivery for LINAK. For a copy hereof, please contact LINAK.