



# Flange mounting bracket Data sheet

# Flange mounting bracket

---

The Flange Mounting Bracket serves an easy flange mounting of LINAK electric actuators on industrial valves typically used in wastewater treatment facilities.



---

## Features:

- Flange mounting possibilities
- Surface treatment: Stainless steel

## Options in general:

- Middle plate. Is compatible with the LA36.

## Usage:

- The bracket is compatible with various actuators. For a compatibility overview, please view page 7

## Contents

### Chapter 1

Specifications .....	4
Dimensions .....	5

### Chapter 2

Bracket compatibility overview .....	7
--------------------------------------	---

## Chapter 1

### Specifications

Surface treatment: Stainless steel



The bracket is designed for actuator thrust up to 10.000N push/pull. A long actuator backfixture is required in order to adjust the position of the actuator in the bracket.



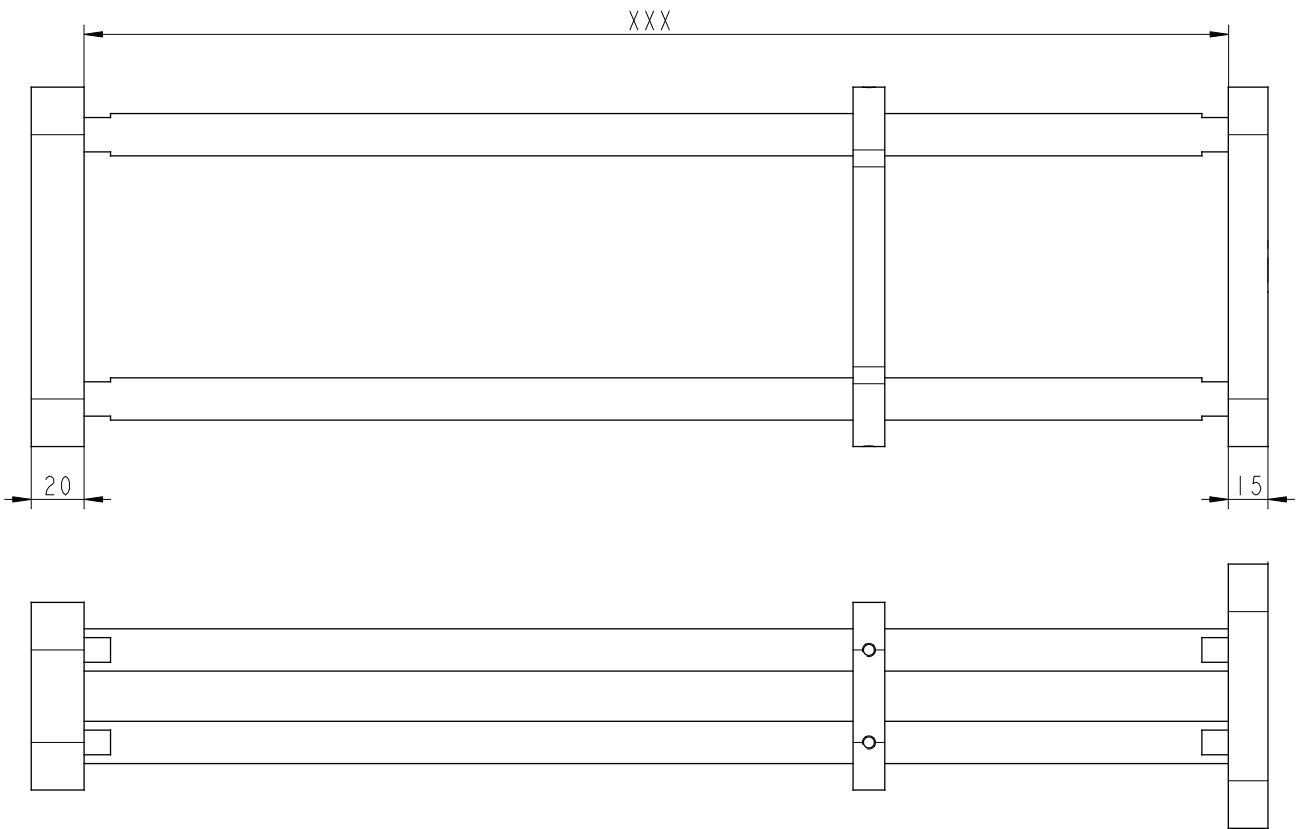
All brackets are delivered with stainless steel screws for bracket assembly and actuator mounting into the bracket.

#### **Please note:**

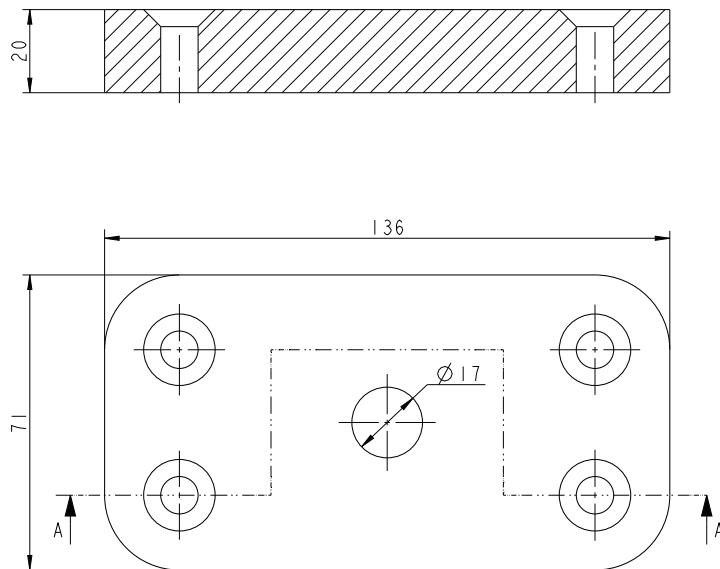
- The bracket is not delivered with screws for mounting the bracket onto the application
- The bracket will be delivered unassembled

**Dimensions:**

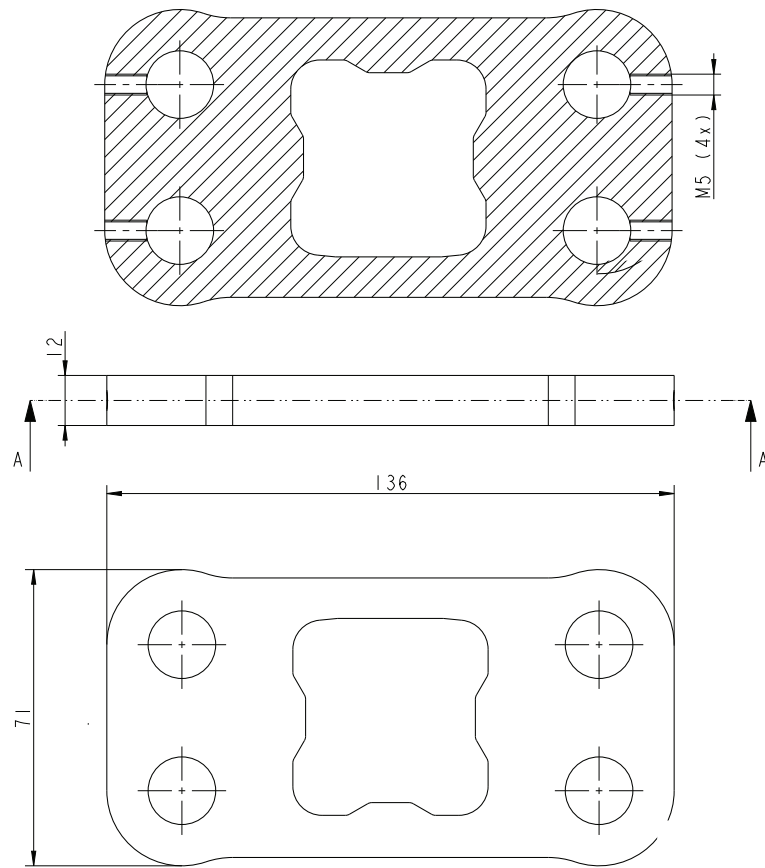
**Bracket:**



**Top plate:**

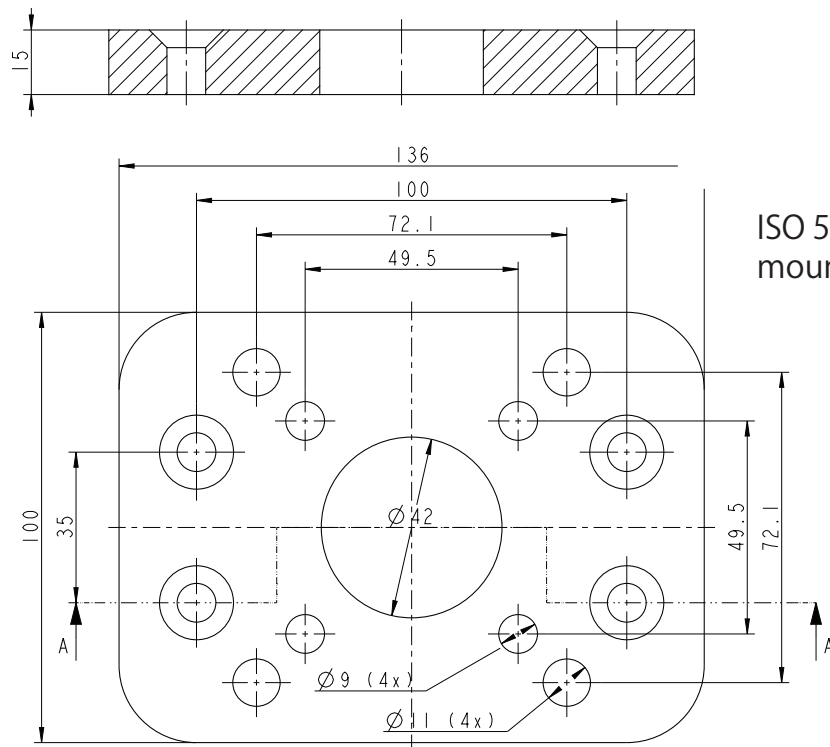


**Middle plate:**



The middle plate is optional, it is compatible with the actuator LA36.

**Bottom plate:**





The bracket fits with these standards in regards to the interface. However we do not comply to the complete standard. The bracket interface dimensions are in accordance with the industry standards ISO 5210 and ISO 5211, and it fits with the flange types F07 and F10. The International Standards specifies requirements for the attachment of actuators to industrial valves.

Comparison between EN ISO 5210/EN ISO 5211 and DIN 3210/DIN 3338  
EN ISO 5210 Multi-turn valve actuator attachments  
EN ISO 5211 Part-turn valve actuator attachments  
DIN 3210 Output drives of electric actuators for valves  
DIN 3338 Multi-turn actuator attachments

## Chapter 2

### Bracket compatibility overview

	LA12	LA14	LA25	LA33	LA36	LA37
AISI304					x	x

---

**Terms of use**

The user is responsible for determining the suitability of LINAK products for specific application. LINAK takes great care in providing accurate and up-to-date information on its products.

However, due to continuous development in order to improve its products, LINAK products are subject to frequent modifications and changes without prior notice. Therefore, LINAK cannot guarantee the correct and actual status of said information on its products.

While LINAK uses its best efforts to fulfill orders, LINAK cannot, for the same reasons as mentioned above, guarantee the availability of any particular product. Therefore, LINAK reserves the right to discontinue the sale of any product displayed on its website or listed in its catalogues or other written material drawn up by LINAK.

All sales are subject to the Standard Terms of Sale and Delivery for LINAK. For a copy hereof, please contact LINAK.