



Electronic Brake Control System for 3rd party castors EBC Data sheet

EBC

The EBC - Electronic Brake Control - is designed for use together with 3rd party castors and the LINAK OpenBus™ control system, including Jumbo Care. The EBC can replace traditional (mechanical) central locking systems for castors on healthcare beds or medical applications. This new system offers an increased freedom of application design as there is no need for a mechanical connection between the castors.

In order to reduce the number of fall injuries caused by a moving bed due to castors not being locked, the EBC has been equipped with an automatic brake sensor that detects when the bed has not been moved for a certain amount of time and locks the castors to put the bed in safe mode.

The increased ergonomics and efficiency of the EBC will help reduce the risk of injuries and attrition of healthcare staff leading to an improved working environment.



Features and Options:

- Interface to LINAK OpenBus™
- Castors powered by 24V system battery
- Motion sensor feedback - Auto-brake feature
- Directional steering function
- Control of up to four (4) castors
- Possibility of LED status indicator
- Housing colour: Light grey (RAL 7035)
- IP degree: IPX6
- Flammability rating: UL94 V-0

Usage:

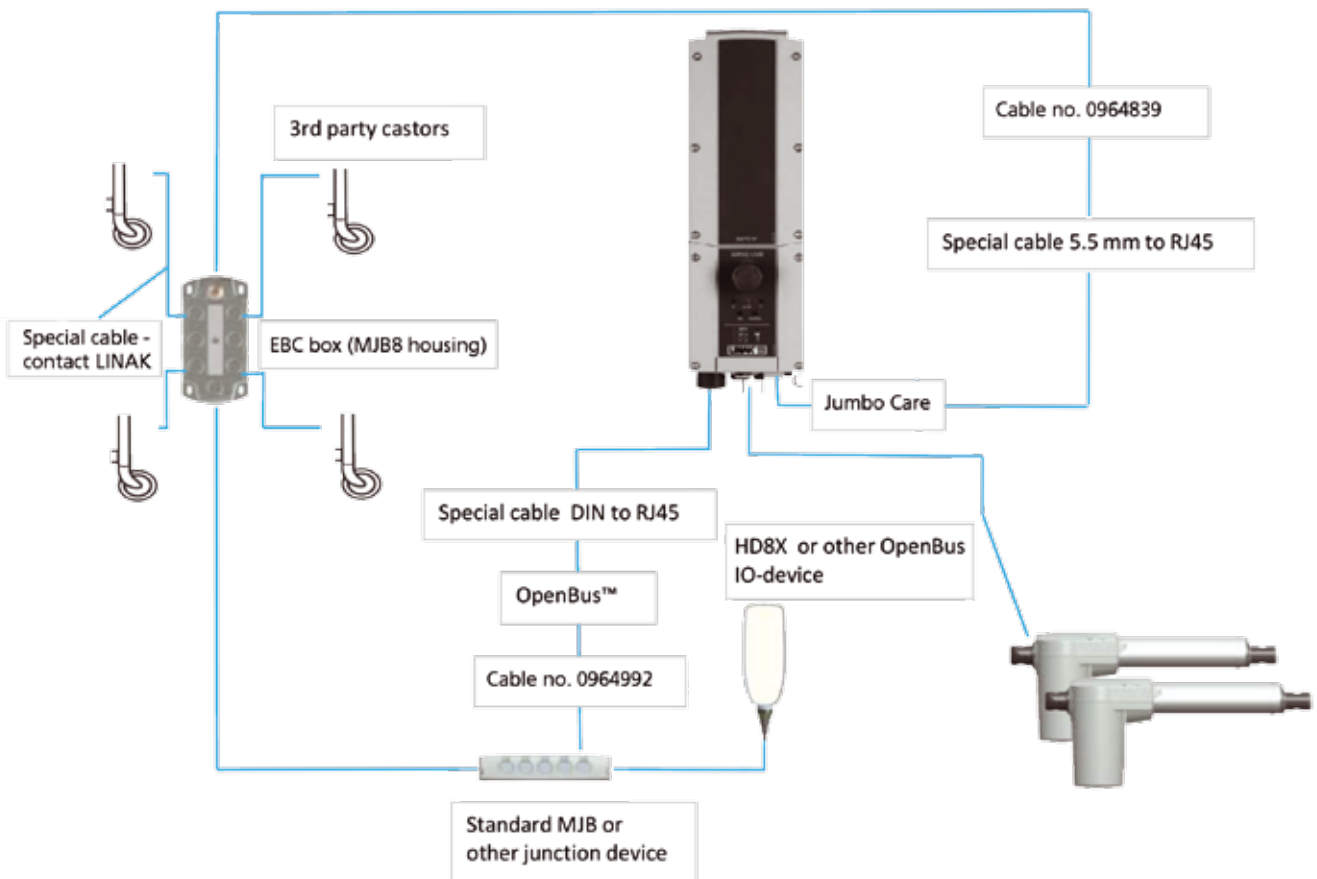
- Operating temperature: 5°C to 40°C
- Storage temperature: -10°C to 50°C
- Fallshaw EBC system approved according to IEC60601-1:2005 3rd edition approved, ANSI / AAMI ES60601-1:2005, 3rd edition, and CAN / CSA-22.2 No 60601-1:2008 Manner/TENTE approvals are pending



LINAK A/S only delivers the OpenBus™ system and is not responsible for any products other than LINAK products (i.e. products from 3rd party suppliers or the compliance of such products with the LINAK OpenBus™ system).

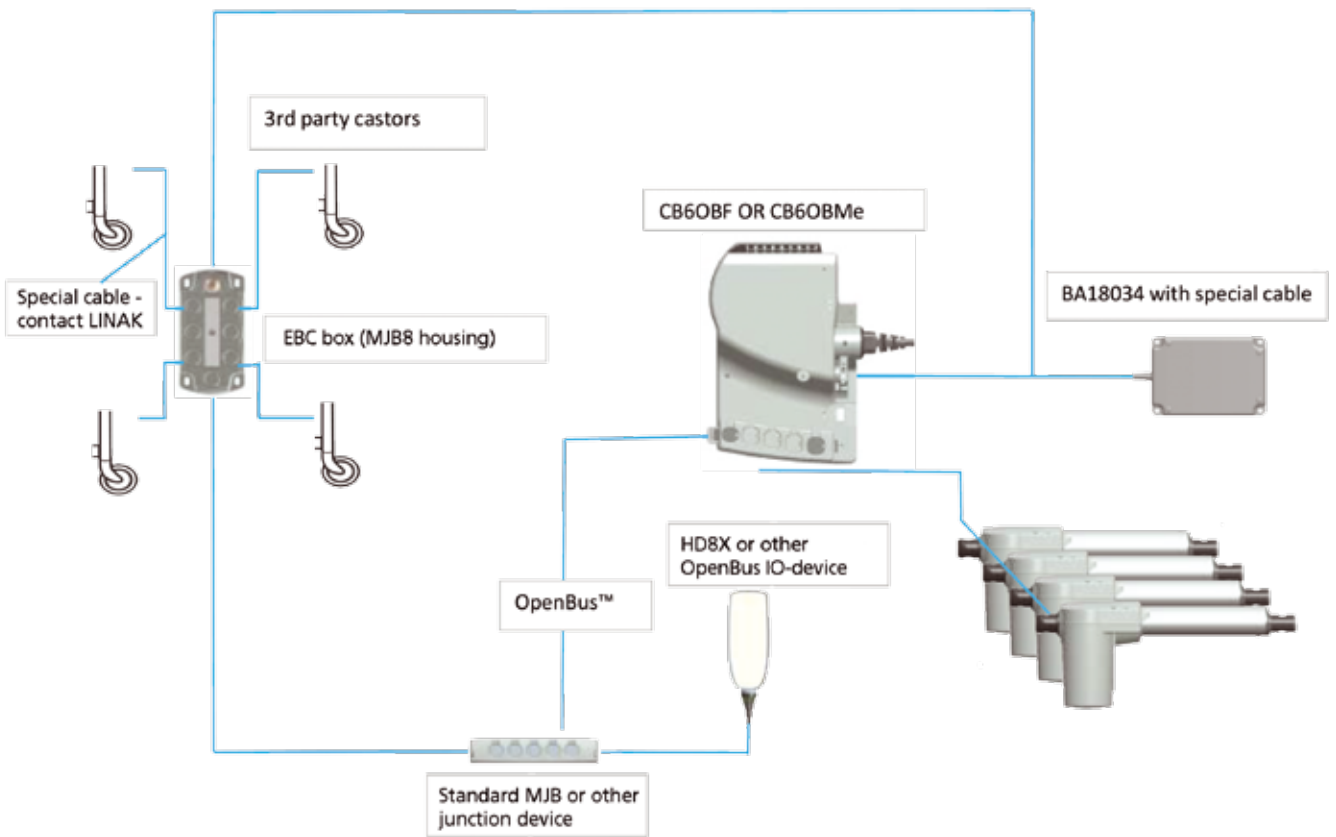
System connections – examples:

EBC - Electronic Brake Control Jumbo Care System Overview *

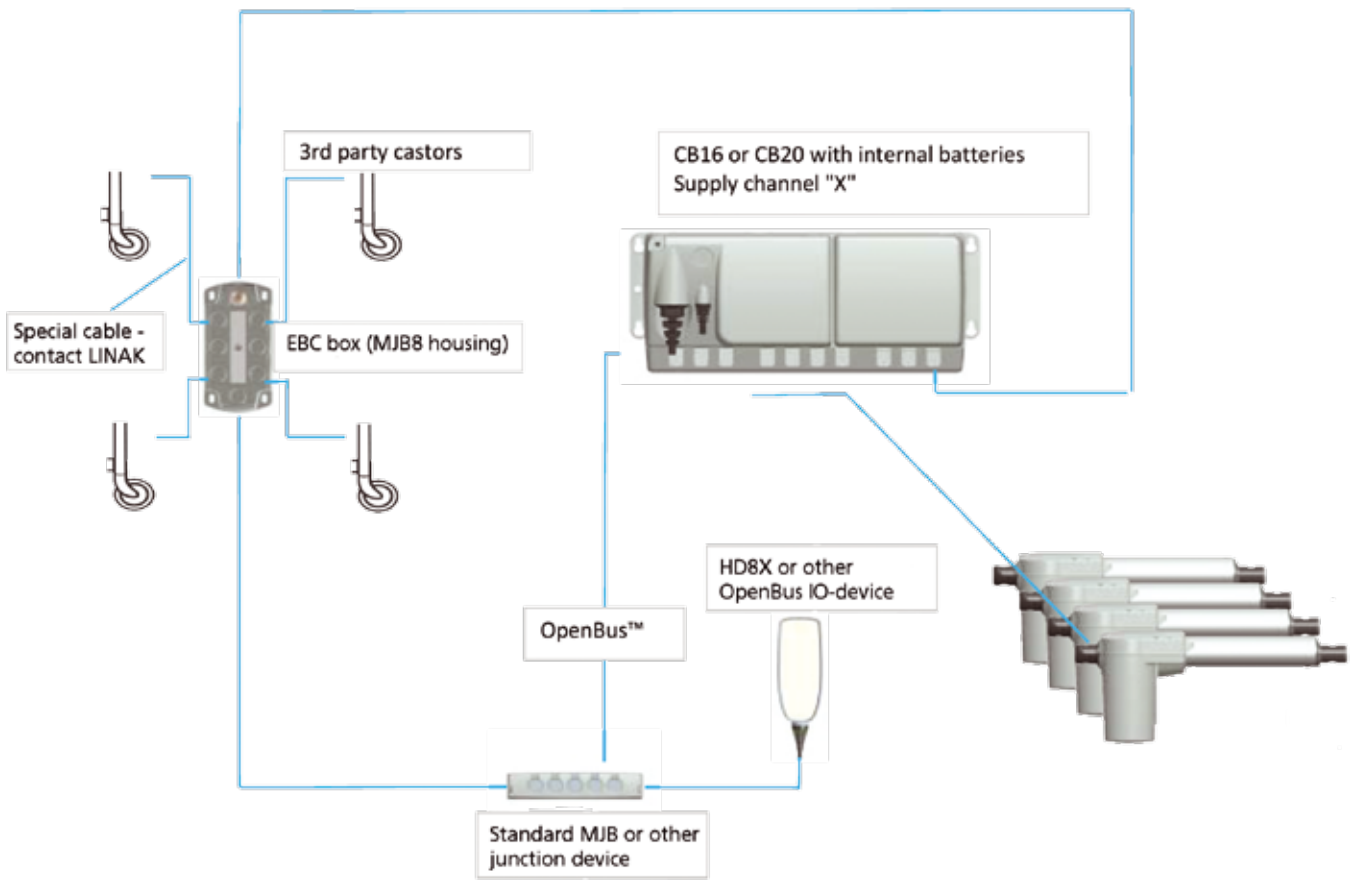


* This combination is valid with BAJ - lead acid battery only

EBC - Electronic Brake Control CB60BF/M System Overview

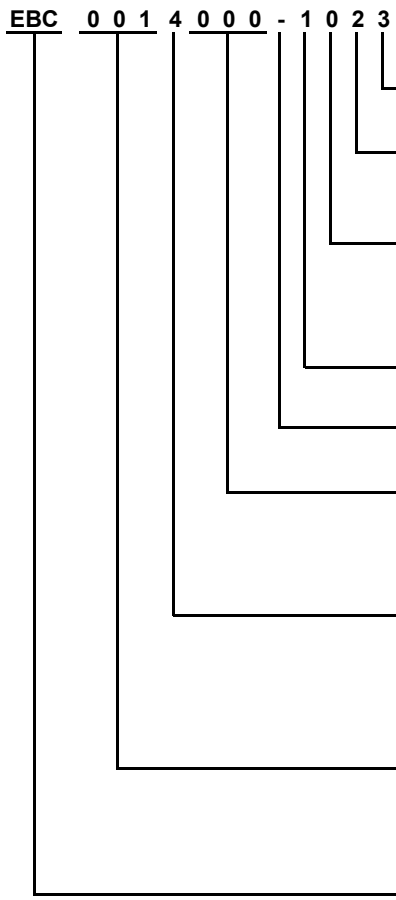


EBC - Electronic Brake Control CB16/20 System Overview



EBC

Ordering example:



Cable :

IP -degree :

Hardware version :

Color :

Configuration Number :

Number of castor connections :

Interface :

Type :

3 = EBC is always without cable, order separately.

2 = IPX6

9 = IPX6 Washable (only for special article)

0 = For use with CB6/16/20 AND Jumbo Care

1 = For future use

2 = For future use

1 = Light grey (RAL 7035)

- = Not used

000 Standard configuration

100-999 Customized configuration

(Assignment of HB, LED Auto brake time delay etc.)

1 for one castor - port # 2 open

2 for two castors - port # 2 and 3 open

3 for three castors - port # 2,3 and 6 open

4 for four castors - port # 2,3,6 and 7 open

001 Interfacing to Fallshaw castor

002 Interfacing to MANNER castor

003 Interfacing to TENTE castor

EBC (Electric Brake Control)

Standard hand control for Fallshaw and TENTE beds:

Key command functionalities:

An activation sequence can be started by single key press of the following:

Brake keys:

Brake	(Brakes all castors)
Neutral	(Releases all castors)
Lock Head	(Locks head end castors)
Lock Foot	(Locks foot end castors)

Status LEDs:

Status LEDs show castor pedal positions:	
Steer Head	(Head end castors locked)
Steer Foot	(Foot end castors locked)
Brake	(All castors braked)

Standard EBC front cover



Standard hand control for Manner beds:

Key command functionalities:

An activation sequence can be started by single key press of the following:

Brake keys:

Brake	(Brakes all castors)
Motion	(Releases all castors)
Direction	(Locks directional castors)

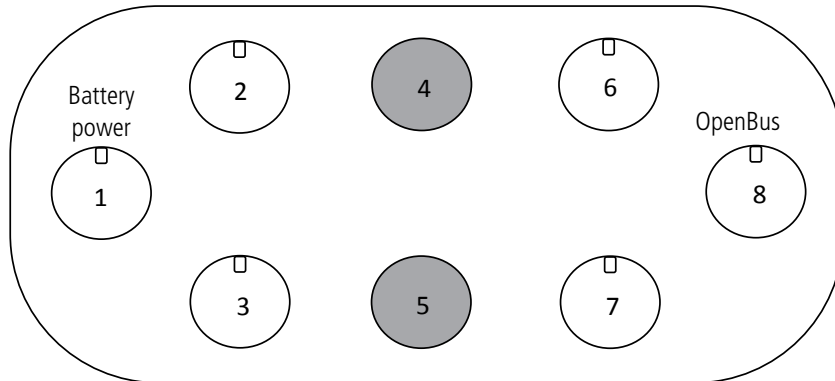
Status LEDs:

Status LEDs show castor pedal positions:	
Brake	(All castors braked)
Motion	(All castors released)
Direction	(Directional castor locked)

Standard EBC front cover

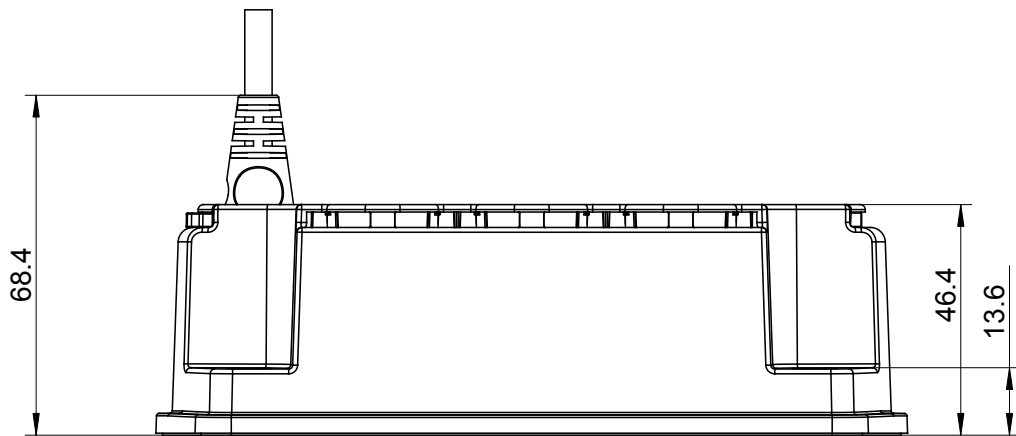
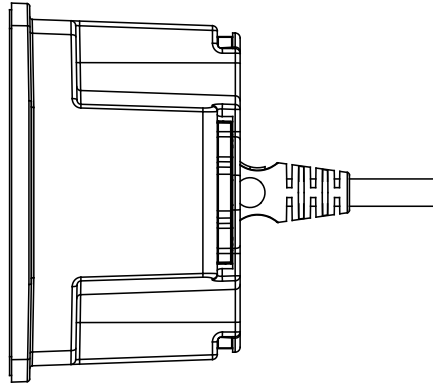


Connection overview for the EBC System for 3rd party castors

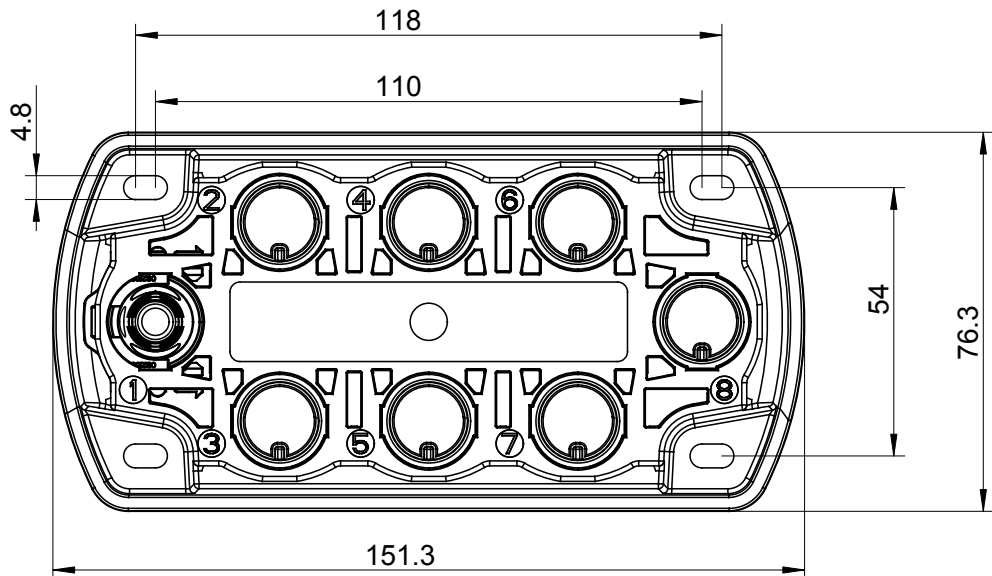


	Fallshaw	Manner	TENTE
Port 1	Power	Power	Power
Port 2	Castor	Directional castor	Castor
Port 3	Castor	Castor	Castor
Port 4	Not open	Not open	Not open
Port 5	Not open	Not open	Not open
Port 6	Castor	Castor	Castor
Port 7	Castor	Castor	Castor
Port 8	OpenBus	OpenBus	OpenBus

Dimensions (EBC box = MJB8 housing)



SCALE 4:5



Terms of use

The user is responsible for determining the suitability of LINAK products for specific application. LINAK takes great care in providing accurate and up-to-date information on its products.

However, due to continuous development in order to improve its products, LINAK products are subject to frequent modifications and changes without prior notice. Therefore, LINAK cannot guarantee the correct and actual status of said information on its products.

While LINAK uses its best efforts to fulfill orders, LINAK cannot, for the same reasons as mentioned above, guarantee the availability of any particular product. Therefore, LINAK reserves the right to discontinue the sale of any product displayed on its website or listed in its catalogues or other written material drawn up by LINAK.

All sales are subject to the Standard Terms of Sale and Delivery for LINAK. For a copy hereof, please contact LINAK.