

DIN Junction Box - DJB Data sheet

Din Junction Box - DJB

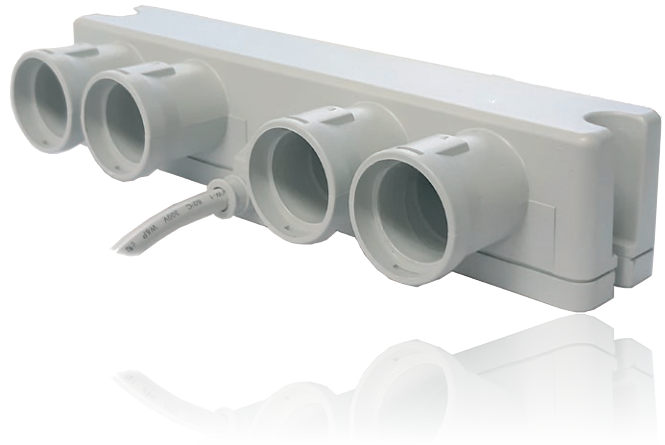
The DIN Junction Box is designed for use where there is a need for more than 1 or 2 controls to be connected to a control box. In design the DIN Junction Box looks like the CB12 / 14 control boxes.

The DIN Junction Box is constructed for connection of up to 4 controls with 8 pin DIN plugs. Furthermore the box is constructed so that all channels for connection are placed on the same side of the box. This gives the box a clean design and makes it easy to mount e.g. in a bed frame.

The DIN Junction Box is IPX6 proof and it is possible to wash the unit in wash tunnels as our other MEDLINE® products.

It is possible to connect a SLS (normally open, to act as a part of a control) to a DIN Junction Box. The SLS must be ordered as a special article as the SLS needs to be mounted with an 8 pin DIN cable.

A further possibility is to order blind plugs for the DJB channels, which are opened but not used, thus ensuring that the box is IPX6 proof. The order number appears from the DJB ordering example. The plugs, o-rings and locking rings can be ordered as spare parts from the Service Dept.



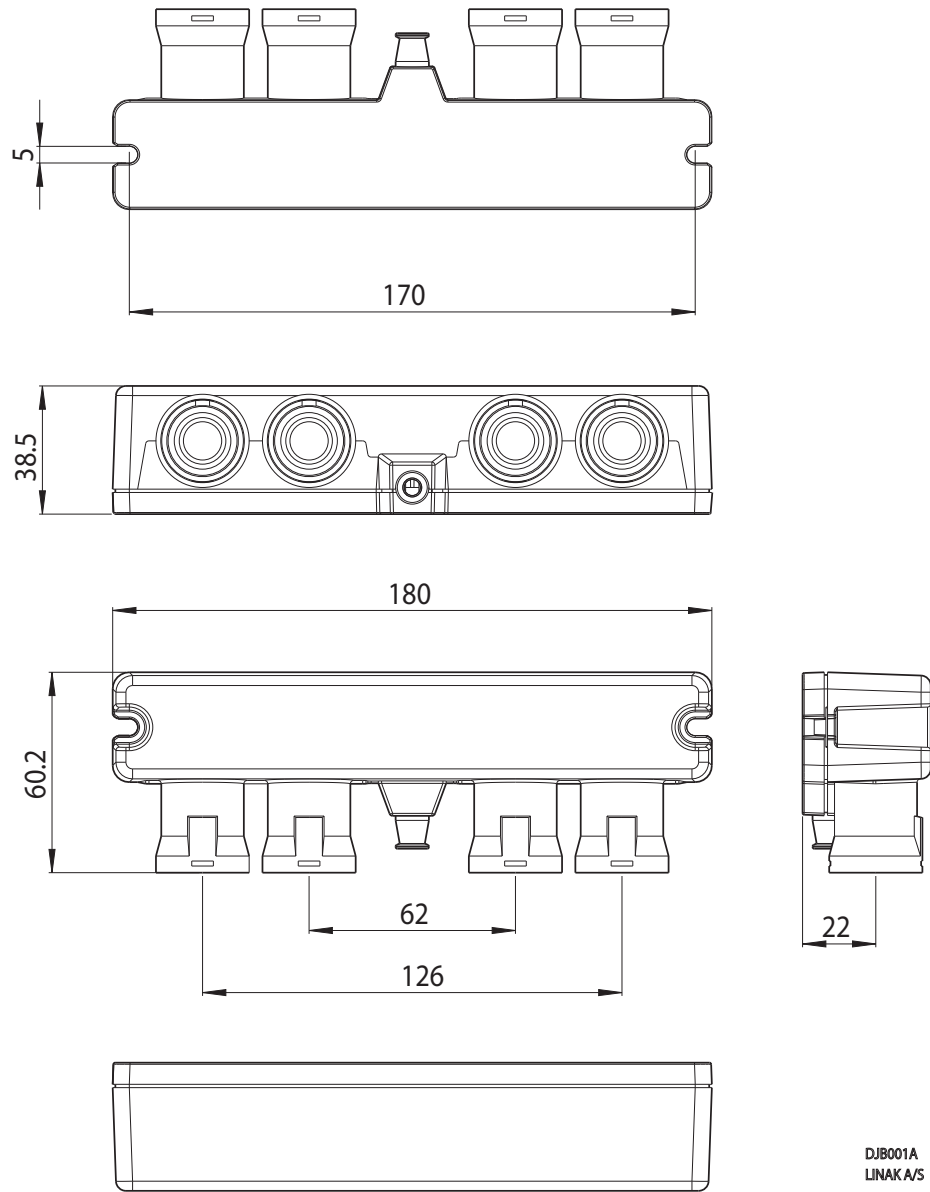
Features and Options:

- Compact and functional design which allows easy mounting
- Connection of up to 4 controls of various types with 8 pin DIN plug
- Colour: Black (RAL 9005), Light grey (RAL 7035)
- Protection class: IPX6
- 3 standard cable lengths
- Possible to connect with SLS (special article - normally open to act as a part of the control)

Usage:

- Compatibility: CB9, CBJ
- Operating temperature: +5 C to +40 C
- Storage temperature: -10 C to + 50 C
- Relative humidity: 20% to 80% non-condensing
- Atmospheric pressure: 700 to 1060 hPa
- Operational meters above sea level: Max. 3000 meters
- Latex free: Yes
- Approvals: IEC 60601-1
ANSI/AAMI ES60601-1
CSA CAN/CSA-C22.2 NO. 60601-1
IEC 62366

Dimension:

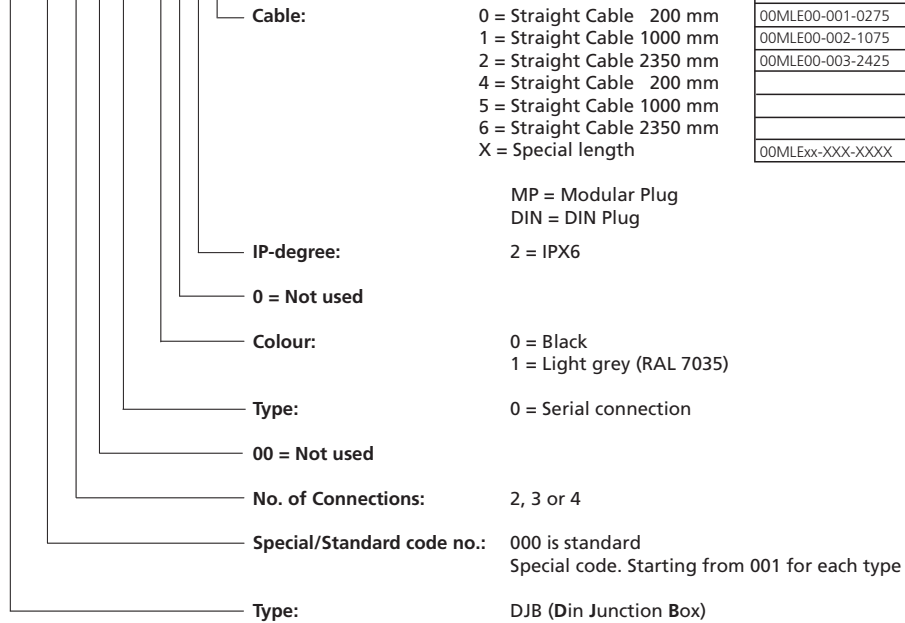


DJB001A
LINAK A/S

DJB

Ordering example:

DJB 000 4 00 0 - 0 0 2 0



Black	Grey (RAL7035)	
00MLE00-001-0275	00MLE00-004-0275	D I N
00MLE00-002-1075	00MLE00-005-1075	
00MLE00-003-2425	00MLE00-020-2425	
	00MLEMP-004-0275	M P
	00MLEMP-005-1075	
	00MLEMP-020-2425	
00MLExx-XXX-XXXX	00MLExx-XXX-XXXX	

Blind plugs:

Black = 00912082

Grey = 00912083

O-ring = 0007008

Locking ring = 00911010