

DESK FRAME 2 (DF2)

Data sheet

DESK FRAME 2 (DF2)

The Desk Frame 2 (DF2) is, as the name indicates, a complete frame from LINAK®. It is characterized by a rethought frame concept, evolved around a new top frame called the Beam. The Beam contains all electronics including the motor and all cable wiring. The DF2 is very fast and intuitive to assemble as the few parts are carefully designed to be either clicked together or attached with only a few screws.

The DF2 has a clean design. The lifting columns have no visible gliding pads and no punch holes in the profiles, and the internal wiring and pre-installed motor in the beam ensure that only the mains and the desk panel cables are visible. The DF2 is of the well-known LINAK quality and performance similar to other 3-part columns. As standard, the DF2 features the new anti-collision technology, Desk Sensor™ 1, ensuring that collisions with obstacles do not damage the furniture. The DF2 reuses the existing DESKLIFT™ Feet for mounting the lifting columns either on top of or recessed in the foot construction.

The method of packing ensures optimized logistics. All main components are packed individually and the quantity is aligned.



Features:

Beam

- Contains the motor and all electronics
- Colours (all metal parts): Black (RAL 9005), grey (RAL 9006) or white (RAL 9016)
- A telescopic solution – fits table lengths 1180 mm to 1829 mm (46.5" to 72") - adjustable in 50 mm (2") steps
- Mains voltage: 230 - 240 V AC, 50 - 60 Hz
110 - 120 V AC, 50 - 60 Hz
- Oval holes ensure flexibility as regards pre-drilling holes in tabletop
- Anti-Collision (Internal Desk Sensor - IDS)
- ZERO™ power: low standby power consumption – only 0.1 W

Columns

- PLUS™ design (no visible gliding pads)
- Easy mounting without any screws - simply snap on to the beam
- Max. load 800 N per column
- Max. speed 38 mm/s unloaded
- 3-part column
- Dimensions column : *see next page*
- Max. bending moment 150 Nm dynamic
- Available in black (RAL 9005), grey (RAL 9006) or white (RAL 9016)

Cantilevers

- Length: 546 mm
- Available for T-desk designs
- Available in black (RAL 9005), grey (RAL 9006) or white (RAL 9016)

Desk panels

- DPF1C
- DPF1K

Feet

- DESKLIFT™ Feet (DLF) for T-desk designs
- Recessed or on top mounting
- Two lengths (560 mm and 710 mm)
- Available in black (RAL 9005), grey (RAL 9006) or white (RAL 9016)

Usage:

- Can be used for T-desks (central placement of columns)
- Duty cycle: 5% ~ 1 minute continuous use at full load, followed by 19 minutes pause
- Ambient temperature: 10 to 40 °C
- Storage and transportation temperature: -10 to +50 °C
- Complies with
 - IEC/EN 60335-1
 - UL962
 - ANSI BIFMA X5.5 (up to 1829 mm (72"))
 - EN527
 - CSA C22.2 No. 68-18
- Compatible with DESKLIFT™ Feet (DLF) for T-desk designs
- Compatible with Desk Panels DPF1C and DPF1K

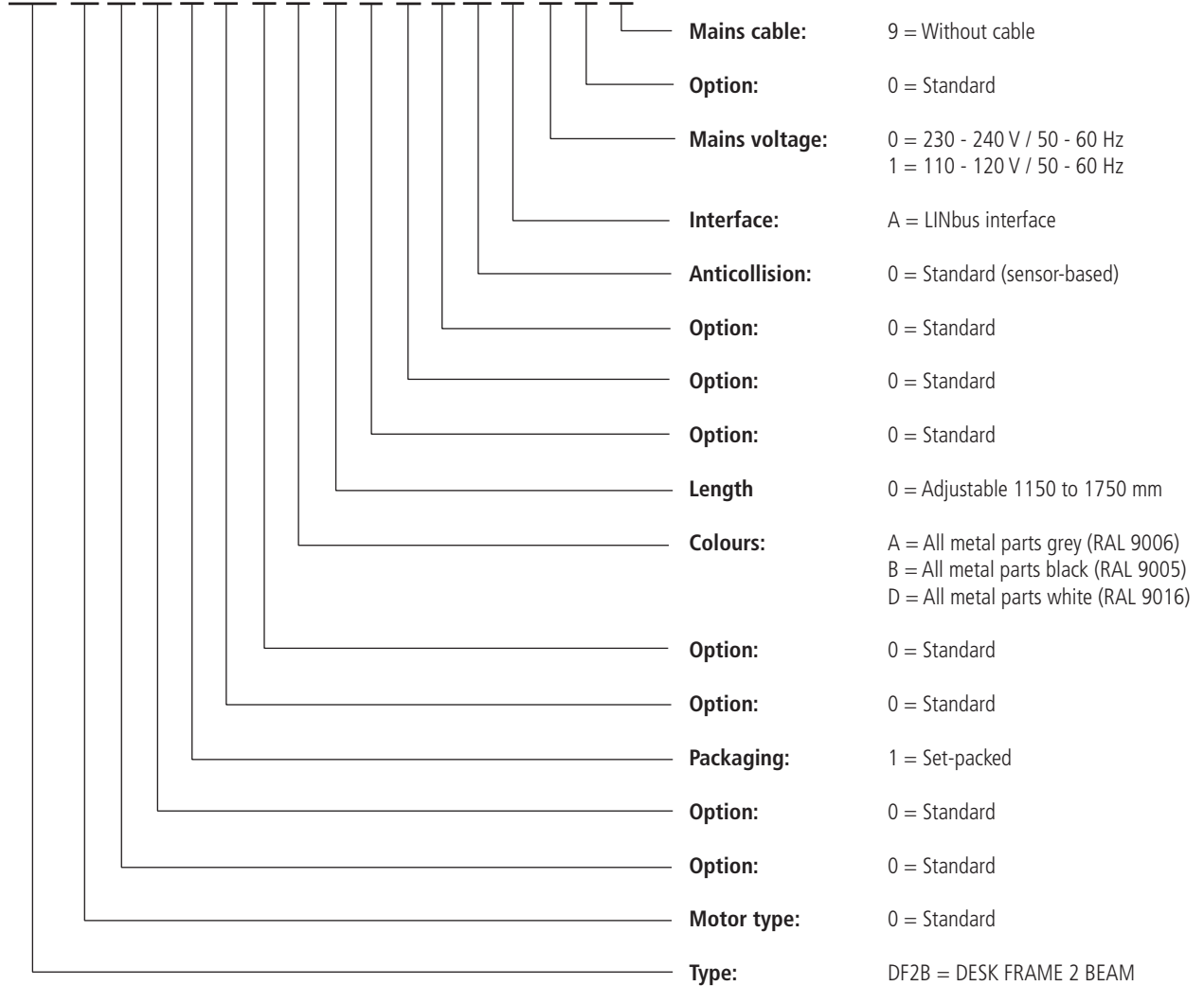
Dimensions column

Profile	Built-in length	Stroke length	Similar standard column
50 x 80 mm	517 475 (BIFMA)	650 665 (BIFMA)	DL6
70 x 70 mm	517	650	DL19

DF2 beam

Ordering example:

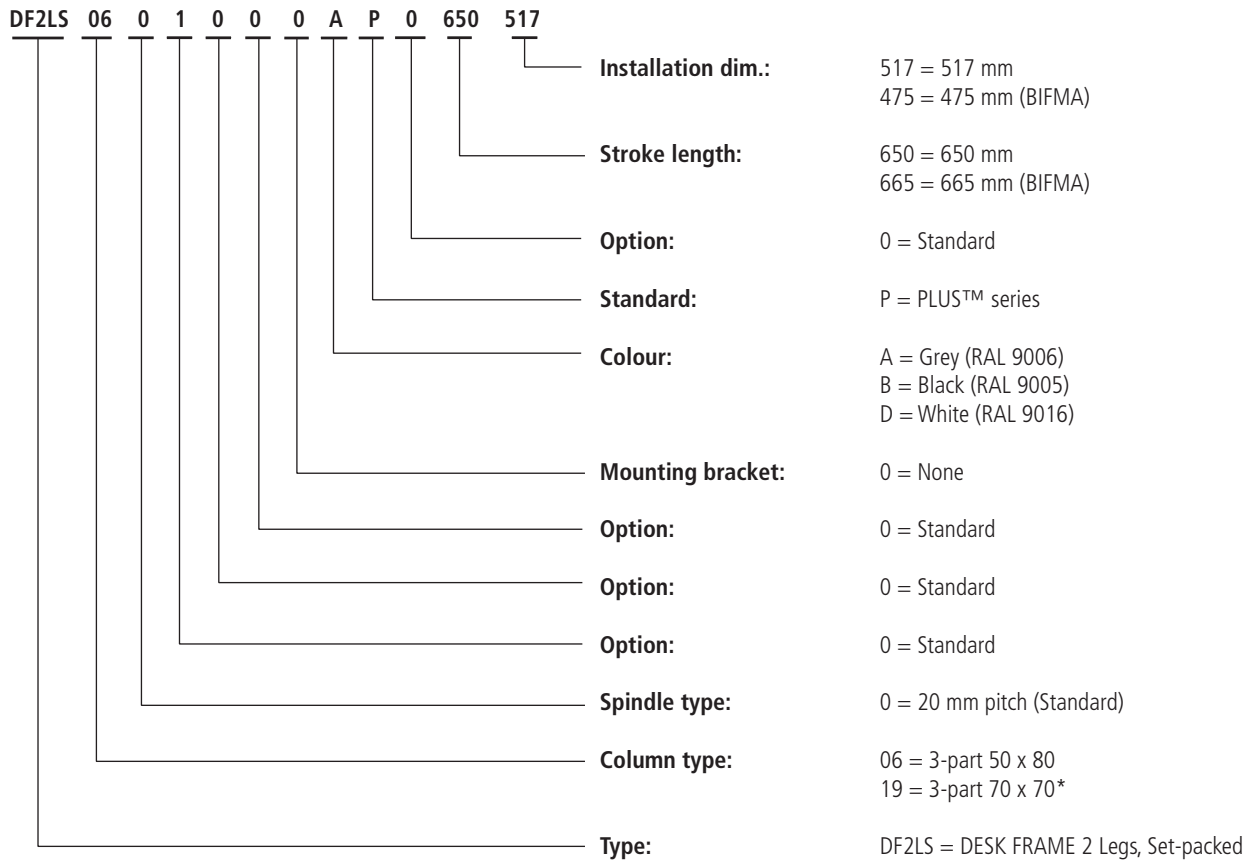
DF2B 0 0 0 1 0 0 A 0 0 0 0 0 A 1 0 9



The following item numbers are available:

Item number	Description			
	Mains voltage	Colour	Anti-Collision	Packaging
DF2B00001	110-120 V AC, 50-60 Hz	Grey	Internal Desk Sensor (IDS)	Set-packed
DF2B00002	110-120 V AC, 50-60 Hz	Black	Internal Desk Sensor (IDS)	Set-packed
DF2B00003	110-120 V AC, 50-60 Hz	White	Internal Desk Sensor (IDS)	Set-packed
DF2B00004	230-240 V AC, 50-60 Hz	Grey	Internal Desk Sensor (IDS)	Set-packed
DF2B00005	230-240 V AC, 50-60 Hz	Black	Internal Desk Sensor (IDS)	Set-packed
DF2B00006	230-240 V AC, 50-60 Hz	White	Internal Desk Sensor (IDS)	Set-packed

DF2 columns
Ordering example:



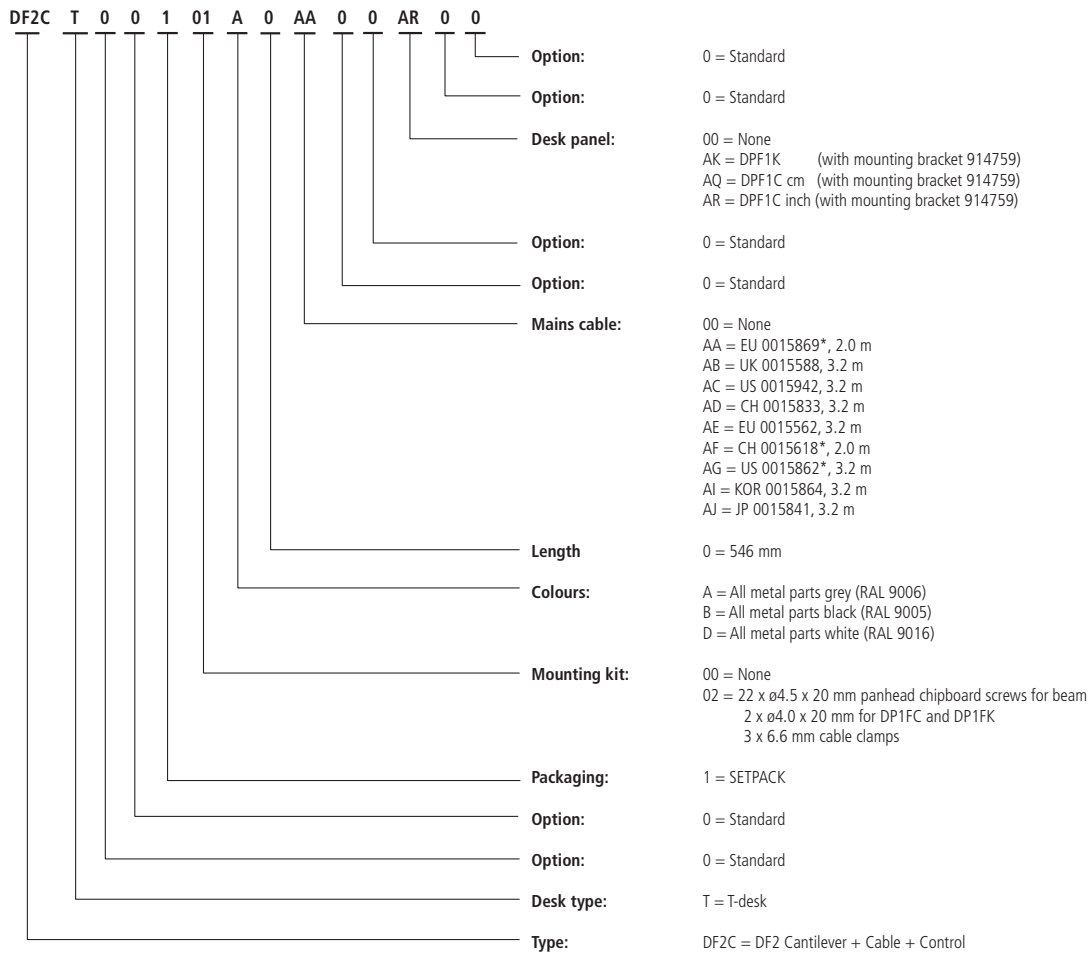
*: Not available in BIFMA dimensions.

The following item numbers are available:

Item number	Description			
	Design	Colour	Dimensions Installation / stroke	Packaging
DF2LS00001	3-part; 50 x 80 mm	Grey	475 mm / 665 mm	Set-packed
DF2LS00002	3-part; 50 x 80 mm	Black	475 mm / 665 mm	Set-packed
DF2LS00003	3-part; 50 x 80 mm	White	475 mm / 665 mm	Set-packed
DF2LS00004	3-part; 50 x 80 mm	Grey	517 mm / 650 mm	Set-packed
DF2LS00005	3-part; 50 x 80 mm	Black	517 mm / 650 mm	Set-packed
DF2LS00006	3-part; 50 x 80 mm	White	517 mm / 650 mm	Set-packed
DF2LS00008	3-part; 70 x 70 mm	Grey	517 mm / 650 mm	Set-packed
DF2LS00009	3-part; 70 x 70 mm	Black	517 mm / 650 mm	Set-packed
DF2LS00010	3-part; 70 x 70 mm	White	517 mm / 650 mm	Set-packed

DF2 cantilevers, desk panel and cable

Ordering example:



* PVC-Free™

The following item numbers are available:

Item number	Description				
	Mains cable	Cantilever colour	Desk panel	Mounting bracket for desk panel	Packaging
DF2C00007	None	Grey	None	None	Set-packed
DF2C00008	None	Black	None	None	Set-packed
DF2C00009	None	White	None	None	Set-packed
DF2C00022	US	Grey	DPF1K	914759	Set-packed
DF2C00023	US	Black	DPF1K	914759	Set-packed
DF2C00024	US	White	DPF1K	914759	Set-packed
DF2C00025	EU	Grey	DPF1K	914759	Set-packed
DF2C00026	EU	Black	DPF1K	914759	Set-packed
DF2C00027	EU	White	DPF1K	914759	Set-packed
DF2C00028	US	Grey	DPF1C (inch)	914759	Set-packed
DF2C00029	US	Black	DPF1C (inch)	914759	Set-packed
DF2C00030	US	White	DPF1C (inch)	914759	Set-packed
DF2C00031	EU	Grey	DPF1C (cm)	914759	Set-packed
DF2C00032	EU	Black	DPF1C (cm)	914759	Set-packed
DF2C00033	EU	White	DPF1C (cm)	914759	Set-packed

Disassembly tool

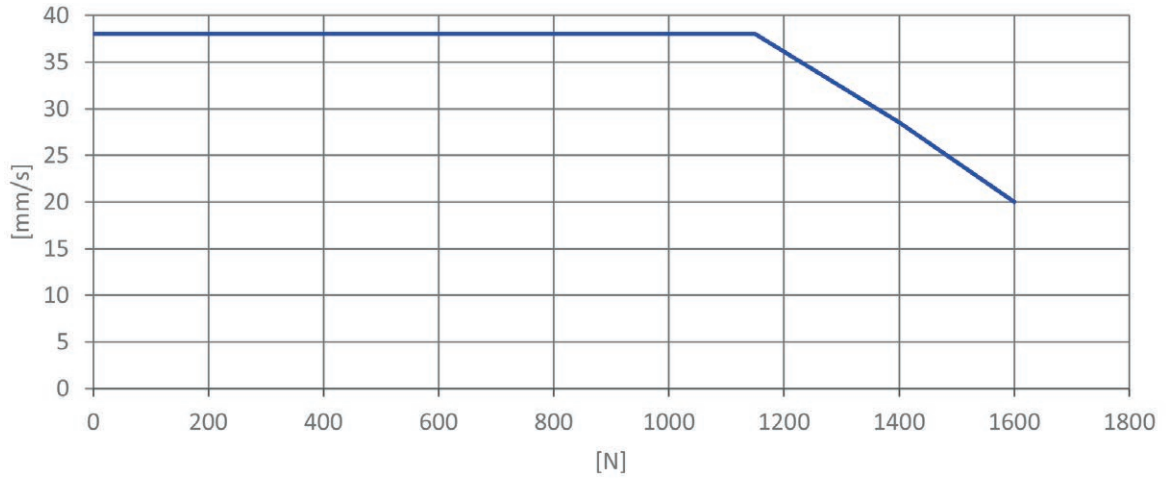
Ordering code: SA1023W1241

Performance curves

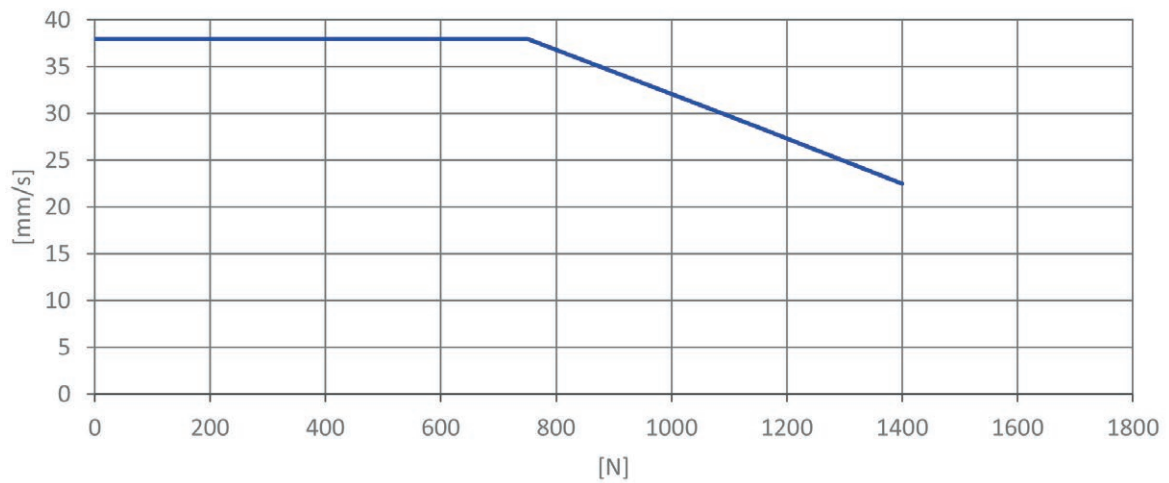


The DF2 performance depends on the mains supply in the application.

The curves below show the performance of the DF2 with two DF2L06/DF2L19 (equally loaded).



Mains: 230-240 V / 50-60 Hz or 110-120 V / 50-60 Hz



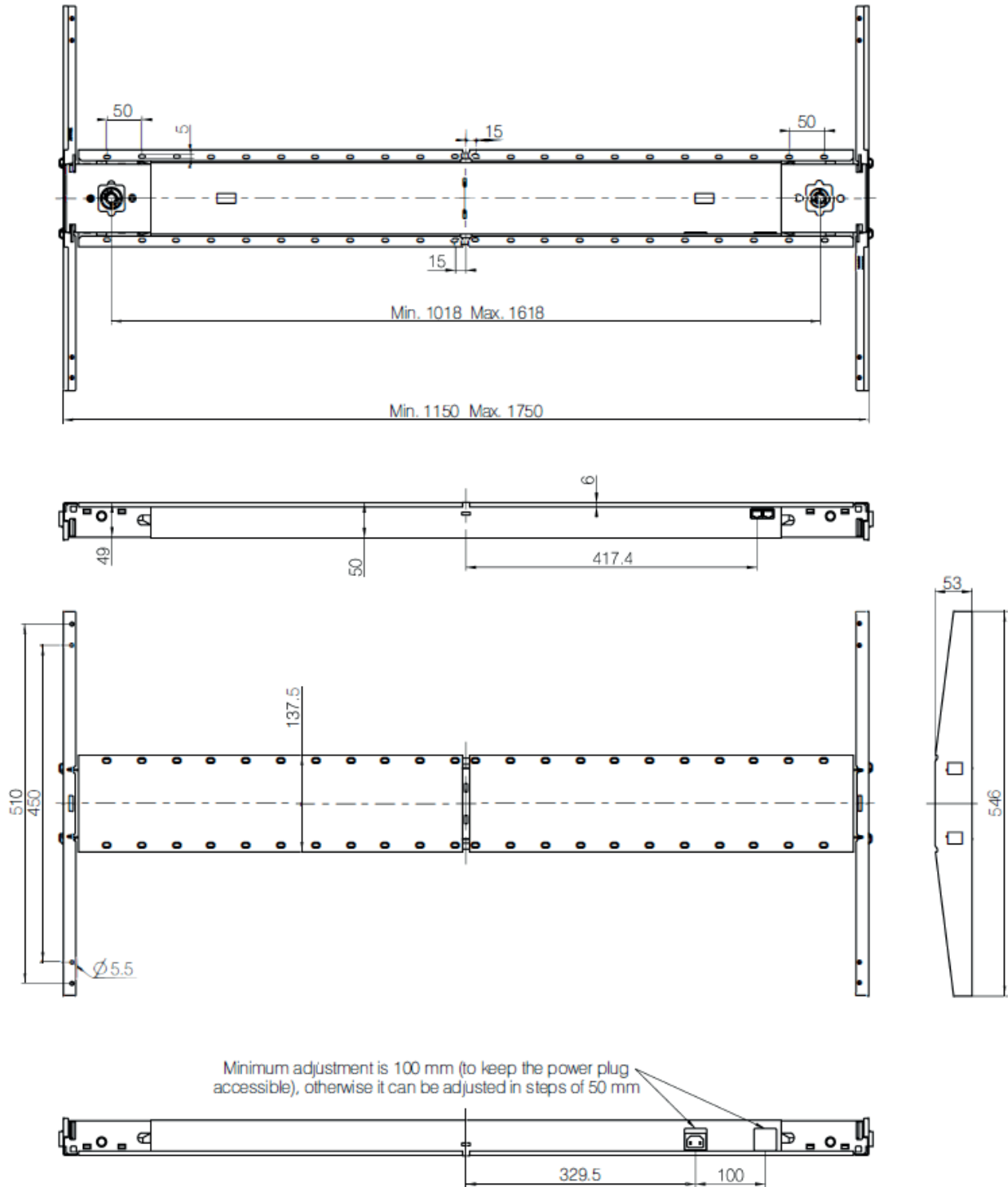
Mains: 100 V / 50 Hz

Dimension drawings

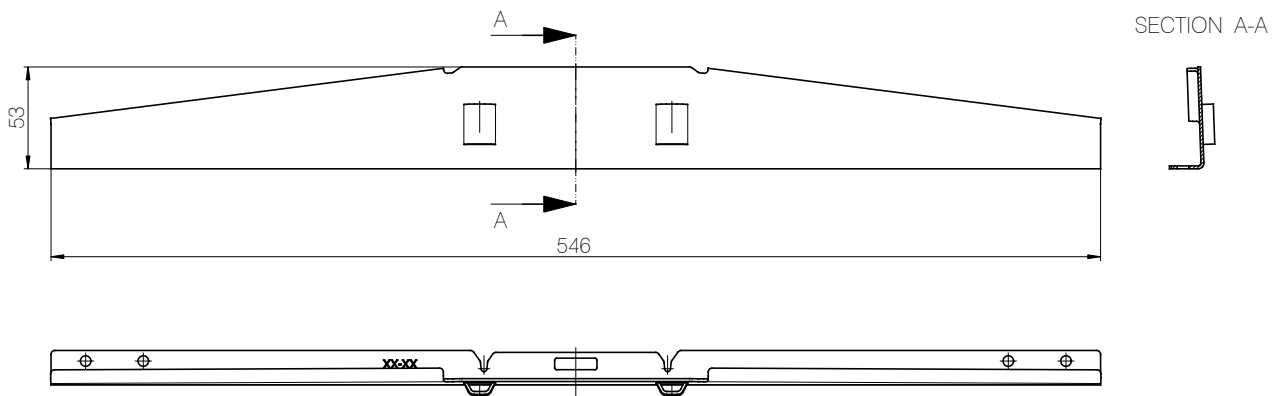
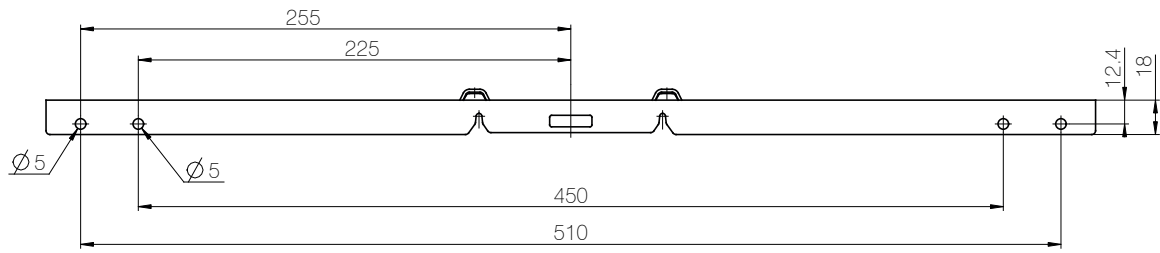


All measurements are without powder coating.

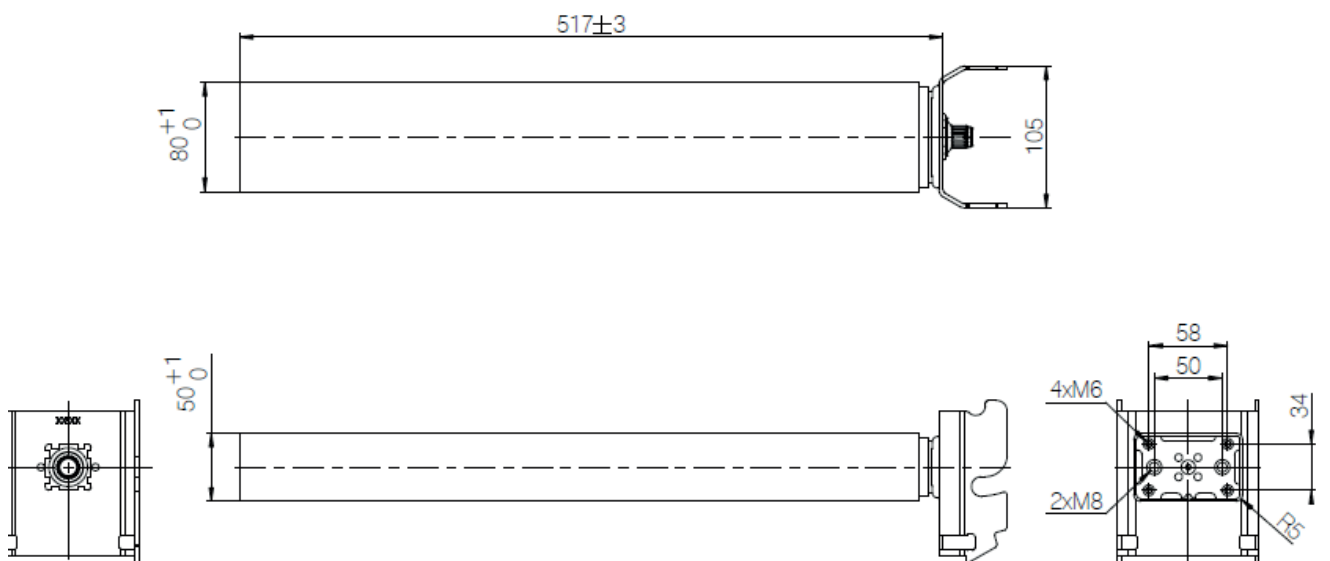
DF2 Beam



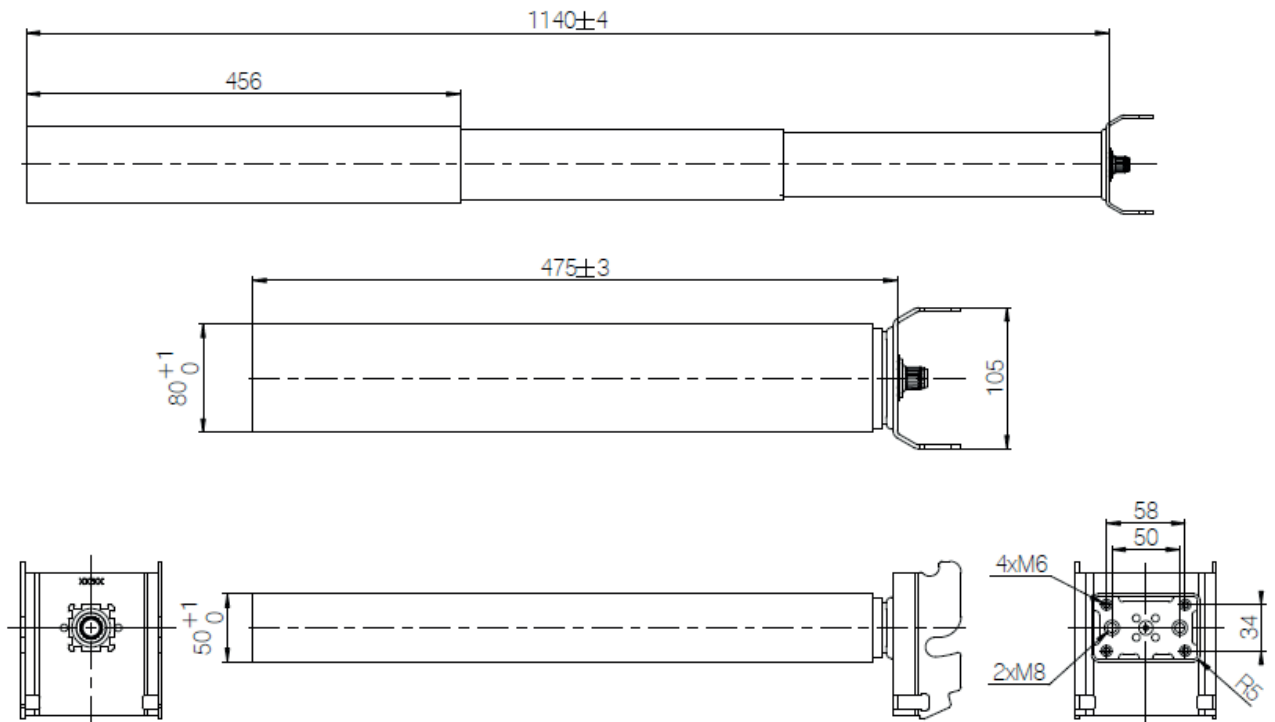
DF2 Cantlever



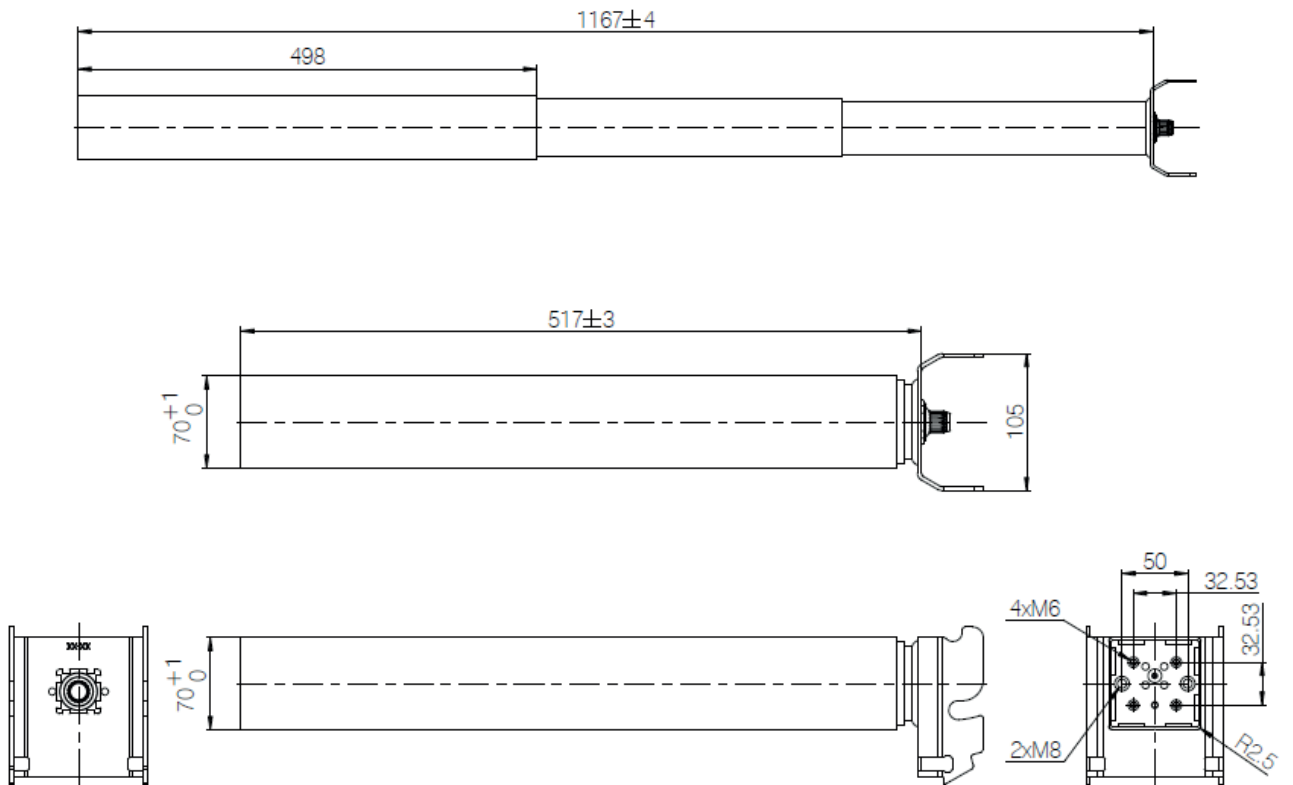
DF2LS06 Standard



DF2LS06 BIFMA



DF2LS19 Standard



LINAK® accepts no responsibility for possible errors or inaccuracies in catalogues, brochures, and other material. LINAK reserves the right to change its products without prior notice. LINAK cannot guarantee product availability and reserves the right to discontinue the sale of any product. The user is responsible for determining the suitability of LINAK products for a specific application. All sales are subject to the 'Standard Terms of Sale and Delivery', available on LINAK websites.

LINAK and the LINAK logotype are registered trademarks of LINAK A/S. All rights reserved.