



Interface box COBO

Data sheet

COBO

The COBO is an interface box specially developed to connect a 24 V battery pack and the CU20 control unit. It is also possible to connect other 24 V lead-acid customer batteries or fixed power supply.

The COBO is to be used with CU20 (instead of CP20) for applications that need a large battery capacity (compared to BA20). Typical uses of the COBO system are trolleys, stretchers or other mobile applications.

A COBO system offers advantages such as:

- Large battery power for mobile applications
- Drive of two actuators (parallel) or more actuators (up to 6 in total)
- OpenBus™ compatibility enables information about charging and battery status on the hand control, only for LINAK batteries



Features and options:

- Battery status: Communicates battery status to CU20. (Correct battery indication for battery is delayed 30 sec. when powering up)
- Supply voltage: LINAK 24V battery or customer 24V battery. Other power sources: 26-28V DC.
- Housing colour: Standard light grey bottom (RAL 7035)
Optional dark grey bottom (RAL 7016)
Top is always light grey (RAL 7035)
- Housing material: V0 plastics ABS
- Protection class: IPX4 with internal charger
IPX5 with external or no charger
- Charging signal: Gives an acoustic signal when the batteries need charging. (The CU20 shuts down at approx. 17VDC and gives an acoustic signal indicating that the batteries need to be recharged).
- Internal charger: Charges the detachable batteries supplied by LINAK (AC supply 90 - 240 V AC, 50 - 60 Hz).
- External charger: Charges the detachable batteries supplied by LINAK with CH01.
- Emergency stop: With integrated emergency stop, external emergency stop or no emergency stop. If COBO is chosen with no emergency stop, any unacceptable risk of unintended movement must be removed by other means.
Possibility to mount an emergency stop guard

- Safety: The COBO has a monitoring circuit for the FET transistor. If the FET is damaged the CU20 will go into fatal error mode. In this case the COBO is defective and must be replaced.
- Up to 6 actuators

Usage:

- COBO with internal charger: Nominal current draw max. 400 mA
Power consumption (standby) max. 2.5 W
Power consumption (charging) max. 19 W
- Compatibility: LINAK Batteries BAJ1, BAJ2 (24 V, 2.9 AH) or other 26 - 28 V power sources via customer battery connection. LINAK Lithium Ion battery (BAJL Li-Ion)
- Duty cycle: 10% 2 minutes running and 18 minutes rest
- Operating temperature: +5°C - +40°C
- Storage temperature: -10°C - +50°C
- Relative humidity: 20% to 80% - non-condensing
- Atmospheric pressure: 700 to 1060 hPa
- Height above sea level: Max. 3000 meters
- Approvals: The COBO is EMC designed and approved in accordance with IEC60601-1, ANSI/AAMI ES606011 and CAN/CSA-22.2 No 60601-1

COBO

Ordering example:

COBO 0000EC01041

IP protection

- 1 = IPx5
- 4 = IPx4

Frontplate no.

See the front cover table for details

xx (last 2 digits)

Type	Option	Emergency stop	Front cover no.	Front cover
COBO	IC	0,2	04	00COBO-004
	IC	1,3	02	00COBO-002
	EC	0,2	03	00COBO-003
	EC	1,3	01	00COBO-001
	NC	0,2	03	00COBO-003
	NC	1,3	01	00COBO-001
	CB	0,2	03	00COBO-003
	CB	1,3	01	00COBO-001

Color of bottompart

- 1 = RAL7016, Dark grey
- 2 = RAL7035, Light grey (Standard)

Emergency stop

- 0 = Without emergency stop
- 1 = With emergency stop
- 2 = With external emergency stop
- 3 = With emergency stop and emergency stop guard

Option

- IC = LINAK battery BAJ1/2/Li-Ion and with internal charger. (Max. IPx4)
- EC = LINAK batteries BAJ1/2/Li-Ion and with External charger (CH01)
- NC = LINAK batteries BAJ1/2/Li-Ion and with no charger
- CB = External customer batteries

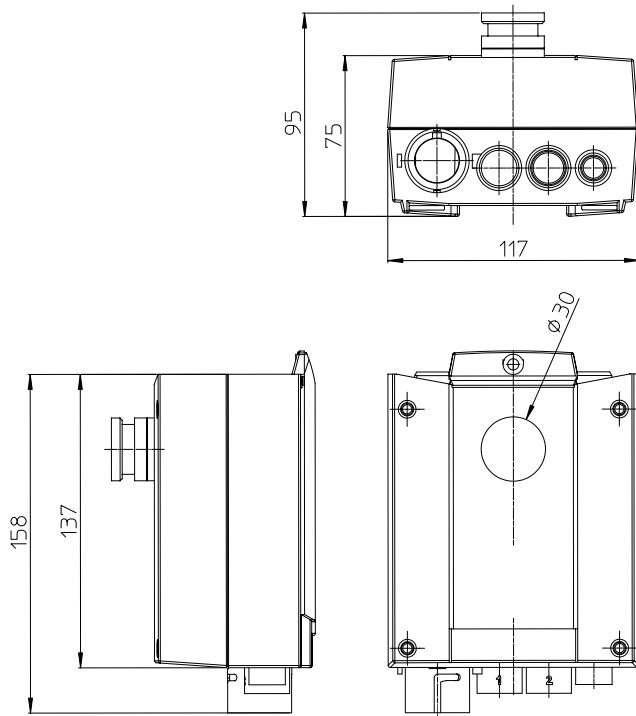
Not used

Not used

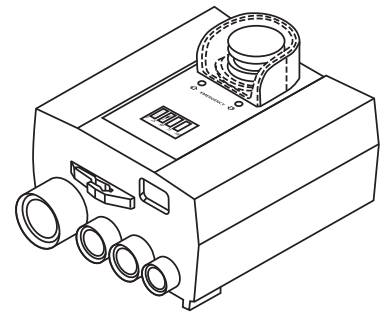
Type:

= COBO

Dimensions:



Emergency Stop Guard



Standards Front covers:

With **external** charger, no charger or customer battery

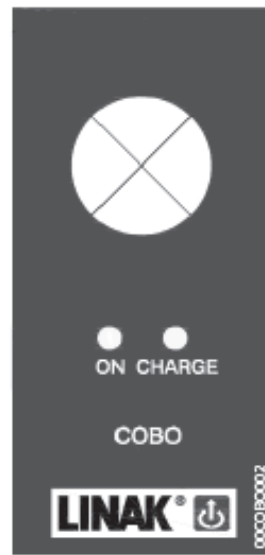
With **internal** charger



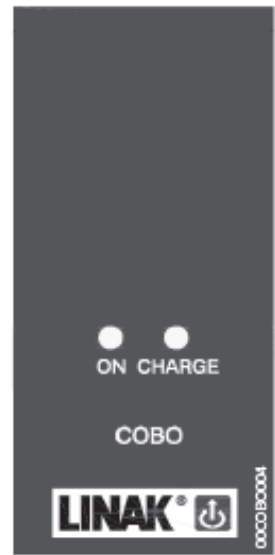
00COBO-001



00COBO-003

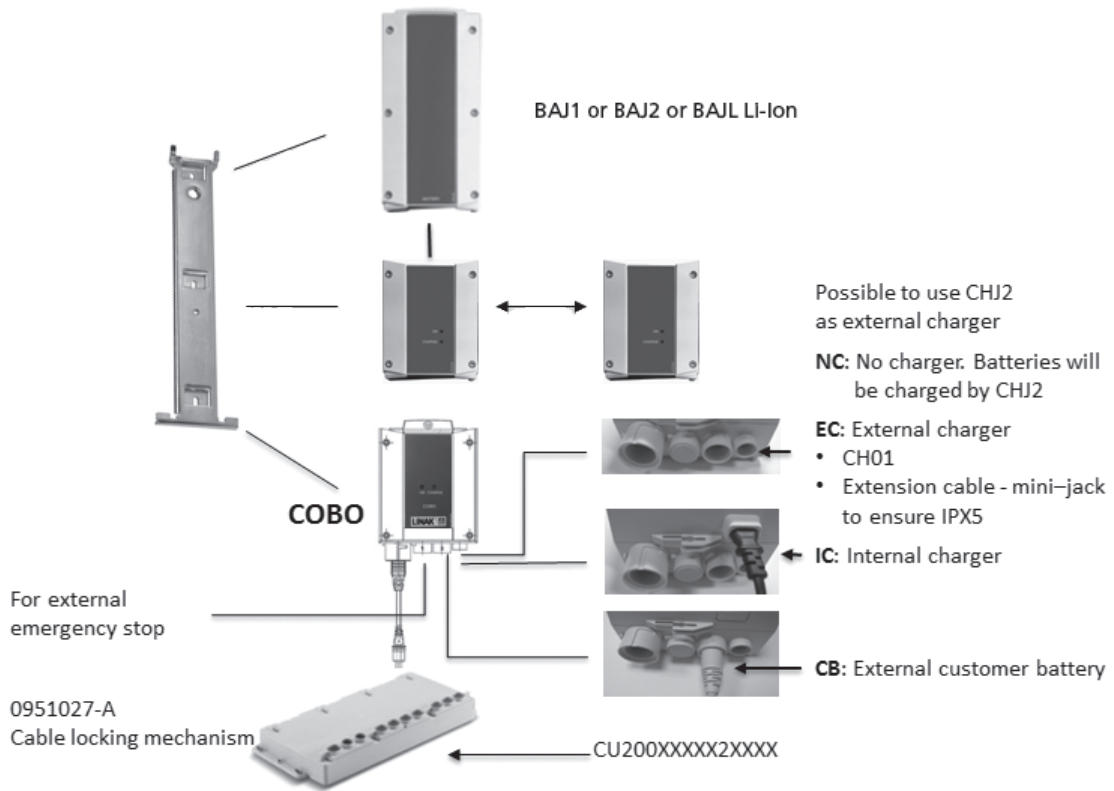


00COBO-002



00COBO-004

COBO System diagram:



CU200XXXXX2XXXX

Special software required when positioning/memory function is to be used otherwise any other CU20 can be chosen.

COBO can only be used with CU20 with soft start.

LINAK® accepts no responsibility for possible errors or inaccuracies in catalogues, brochures, and other material. LINAK reserves the right to change its products without prior notice. LINAK cannot guarantee product availability and reserves the right to discontinue the sale of any product. The user is responsible for determining the suitability of LINAK products for a specific application. All sales are subject to the 'Standard Terms of Sale and Delivery', available on LINAK websites.

LINAK and the LINAK logotype are registered trademarks of LINAK A/S. All rights reserved.