



Charger CHL50 Data sheet

CHL50

The CHL50 charger is an important part of the LIFT50 family. It functions as a wall charger when mounted on the wall, but also as a more mobile charger simply placed horizontally on its back on any surface.

The CHL50 is equipped with universal power input for worldwide use and is provided with very visible charging indicators.



Features and Options:

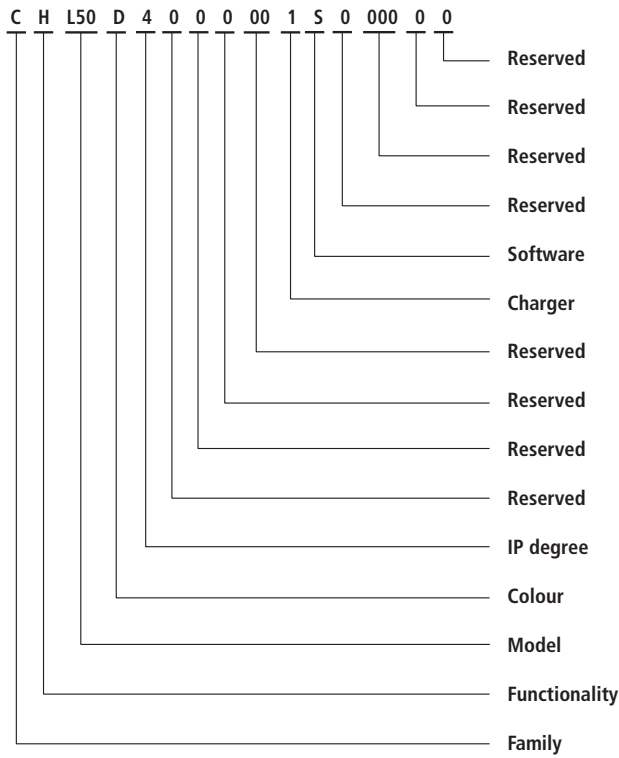
Functional and elegant design with ergonomic battery handling

- Charging time BAL50 battery pack: Approx. 4 hours
- Mains voltage: 100-240 VAC/50-60 Hz
- LED indication: Visible LED indicators
- Charging current: Approx. 650 mA
- Protection class: IPX4 (only when mounted vertically)
- Colour: Signal white RAL 9003
- Mains cable: Exchangeable mains cable

Usage:

- Usage temperature: +5 °C to 40 °C
- Storage temperature: -10 °C to 50 °C
- Relative humidity: 20% to 80% - non-condensing
- Atmospheric pressure: 700 to 1060 hPa
- Height above sea level: Max. 3000 meters
- Nominal current draw: Max. 350 mA
- Power consumption (standby): < 0.5 W
- Power consumption (charging): Max. 25 W
- Approvals: (pending) IEC 60601-1
ANSI/AAMI ES60601-1
CAN/CSA-22.2 No. 60601-1
IEC 60601-1-2
PSE

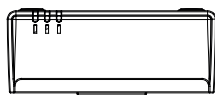
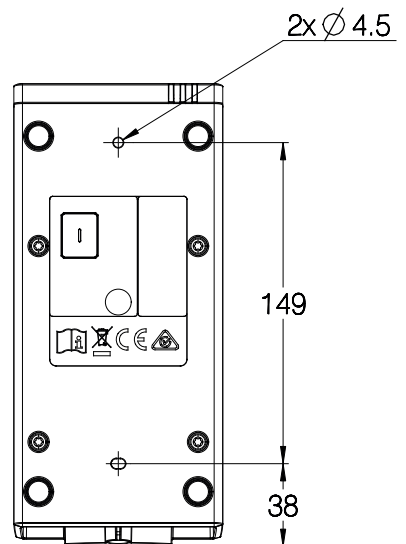
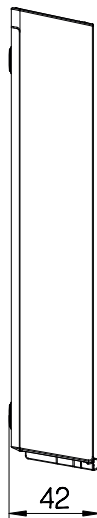
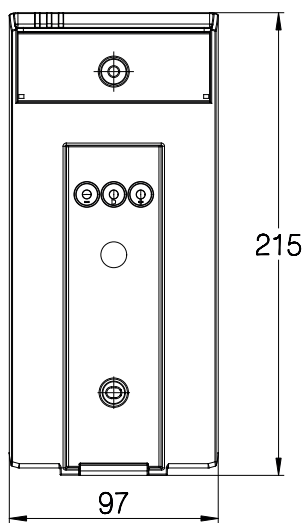
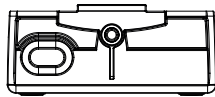
**Ordering example
CHL50**



S = Standard software
 1 = Internal 100-240VAC +15%/-10%

4 = IPX4
 D = Signal White RAL 9003
 L50 = LIFT™ 50 series
 H = Charger
 C = Control Box

Dimension drawing



LINAK® accepts no responsibility for possible errors or inaccuracies in catalogues, brochures, and other material. LINAK reserves the right to change its products without prior notice. LINAK cannot guarantee product availability and reserves the right to discontinue the sale of any product. The user is responsible for determining the suitability of LINAK products for a specific application. All sales are subject to the 'Standard Terms of Sale and Delivery', available on LINAK websites.

LINAK and the LINAK logotype are registered trademarks of LINAK A/S. All rights reserved.

FOR MOUNTING INSTRUCTIONS AND GUIDANCE IN USAGE, PLEASE SEE THE RELEVANT USER MANUAL