



# Battery BAL40 Data sheet

# BAL40

---

The BAL40 lead acid battery pack is part of the LIFT40 product series specially developed for patient lifts.

LIFT40 is a complete system consisting of the control box CAL40 or CAL40+, a battery BAL40 and an internal charger or external charging set comprising the CHL40 cradle and the wall plug charger CH01 for mounting on the wall or positioning on any flat surface. Combined with one or more actuators and a hand control you have a complete system for modern patient lifts and sit-to-stand lifts.

The BAL40 is a next-generation lead acid battery. Housed in an ergonomic package for fast and single-handed battery exchange.



---

## Features and options:

- Capacity: 2.9 Ah
- Weight: 2.6 kg
- Cycles per charge (lifts/lowerings): Approx. 40 cycles\*
- Charging time: With internal charger approx. 4-5 hours with external charger CH01 approx. 5-6 hours
- Chemistry: Lead acid
- Voltage: 24 V
- IP rating: IPX4 or IPX6
- Colour: Signal White, RAL 9003

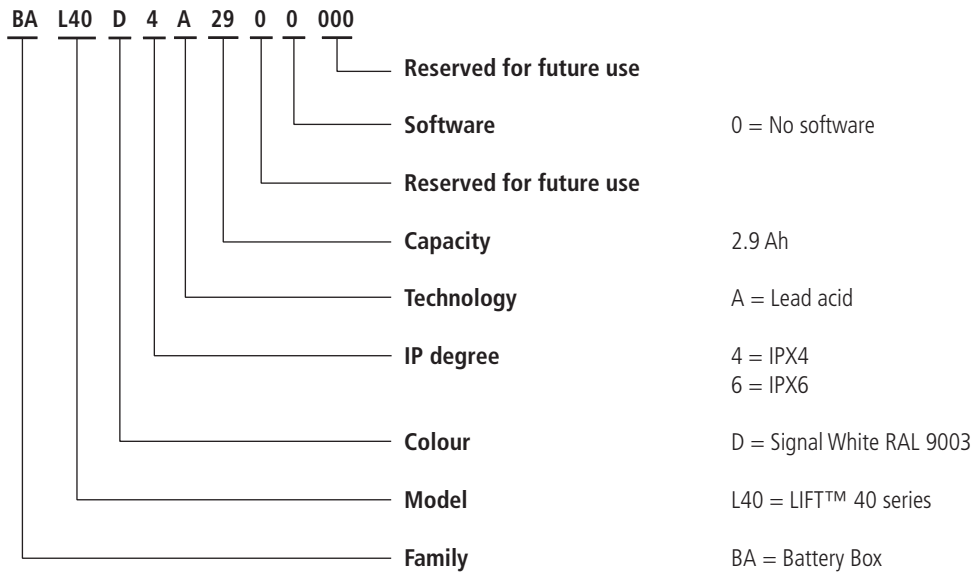
\* Number of lifts and lowerings with a fully charged battery under the following conditions: Normal speed (CAL40 and LA44), thrust up to 6,000 N

Stroke:  $S = 200$  mm. The actuator does not reach the end position at any time.

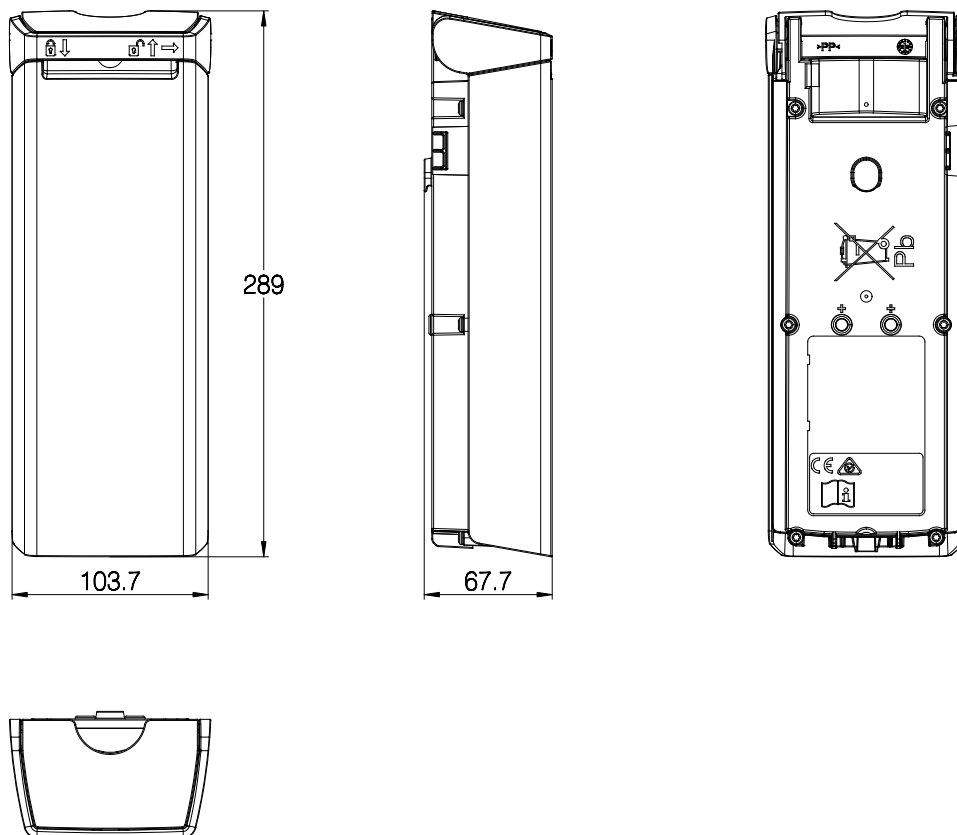
## Usage:

- Compatibility: CAL40/CAL40+/CHL40
- Duty cycle: Max. 10% or 2 minutes continuous use followed by 18 minutes without use at a max. discharge current of 10 A
- Charging: Via external wall charger CHL40 and CH01 or via CAL40 or CAL40+ with internal charger.
- Recharging during storage: First battery recharge must be no later than 6 months after the production date stated on the label. Hereafter, the battery must be recharged at least every 6 months.
- Operating temperature: +5 °C to +40 °C
- Charging temperature: +5 °C to +40 °C Charging at high ambient temperatures can impact the charging time.
- Storage temperature: -15 °C to +40 °C (+10 °C to +25 °C - recommended) The batteries must be stored in an applicable storage room without direct sunlight.
- Relative humidity: 20%-80% – non-condensing
- Atmospheric pressure: 700 to 1060 hPa
- Meters above sea level: Max. 3000 meters
- Approvals: IEC 60601-1  
ANSI/AAMI ES60601-1  
CSA CAN/CSA-C22.2 NO. 60601-1  
IEC 60601-2

**Ordering example  
BAL40**



**Dimension drawing**



---

LINAK® accepts no responsibility for possible errors or inaccuracies in catalogues, brochures, and other material. LINAK reserves the right to change its products without prior notice. LINAK cannot guarantee product availability and reserves the right to discontinue the sale of any product. The user is responsible for determining the suitability of LINAK products for a specific application. All sales are subject to the 'Standard Terms of Sale and Delivery', available on LINAK websites.

LINAK and the LINAK logotype are registered trademarks of LINAK A/S. All rights reserved.