



# Battery pack BAJ Data sheet

# Battery pack BAJ

---

The battery pack BAJ has been specially developed for use with the JUMBO system. They are easy to exchange through an integrated snap system, and can easily be mounted on the mounting brackets.

BAJ is also available in a special edition that can be used in harsh conditions in the pool environment both outdoor and indoor. The pool lift version features and options differ from BAJ:

- Improved contact terminals
- Stainless steel screws
- Robot injected sealing glue
- Always external charger CHJ2
- Always IPX5



---

## Features and Options:

- Functional and elegant design
- High battery capacity: 24 V DC, 1 x 2.9 Ah  
This gives 40 lifts and lowering for the JUMBO system with fully charged battery under the following conditions:
  - Thrust up to: 6000 N
  - The actuator does not reach the end position at any time.
  - Stroke:  $S = 200$  mm
- By means of a snap system the battery pack can easily be mounted on the charger and/or the control box using LINAK mounting brackets
- BAJ can be ordered with integrated DC plug
- Protection class: Up to IPX5 (not defined for BAJ with integrated DC plug)
- Colour: Bottom dark grey (RAL 7016) and top light grey (RAL 7035)
- Possibility for customised front cover
- Accessory: Battery cover

## Usage:

- Duty cycle: 10% or 2 min. continuous use then 18 min. not in use
- Ambient temperature: +5° to +40 °C
- Storage temperature: -15° to +40° C
- BAJ is a part of the JUMBO system. It is compatible with CBJ1/CBJ2, CHJ2 and CBJ Care
- Flammability rating: UL94-V0
- Approvals: IEC60601-1, ANSI/AAMI ES60601, CAN/CSA-22.2 No 60601-1

## Charging:

- BAJ can be charged by
- Charger CHJ2
  - Control box CBJ1/2, CBJ Care, COBO
  - BAJ with integrated DC plug can also be charged by use of the external charger CH01

## BAJ

Ordering example:

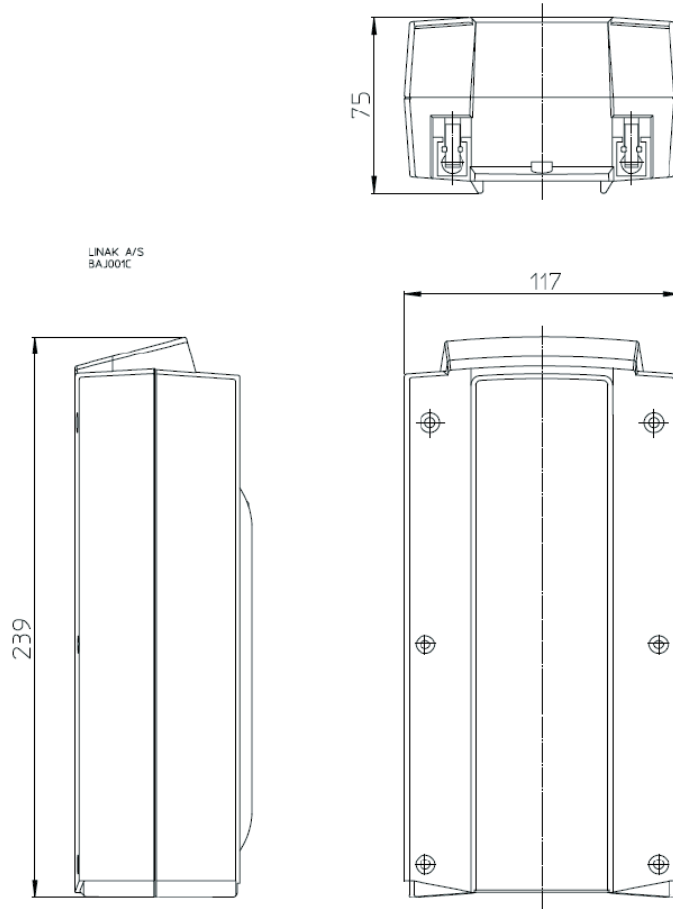
<b>BAJ</b>	<b>1</b>	<b>00</b>	<b>0</b>	<b>0</b>	<b>00</b>	<b>0</b>	<b>0</b>	<b>xx</b>	<b>4</b>	
										<b>IP protection:</b>
										0 = IPX0
										1 = IPX5
										4 = IPX4
										<b>Frontplate no.:</b>
										See the front cover table for details
										xx (last 2 digits)
										<b>Color of bottom part:</b>
										0 = RAL7016, Dark grey (Standard)
										1 = RAL7035, Light grey
										<b>Not used:</b>
										0 = Not specified
										<b>Not used:</b>
										00 = Not specified
										<b>Not used:</b>
										0 = Not specified
										<b>Capacity:</b>
										0 = 2,9 Ah BAJ1 - Pb
										<b>Options:</b>
										00 = Standard
										01 = With DC socket for charging the batteries
										<b>Type:</b>
										1 = Standard Pb battery pack

Pool lift version should be ordered as special articles.

Please contact LINAK A/S sales for further information if you need this BAJ solution.

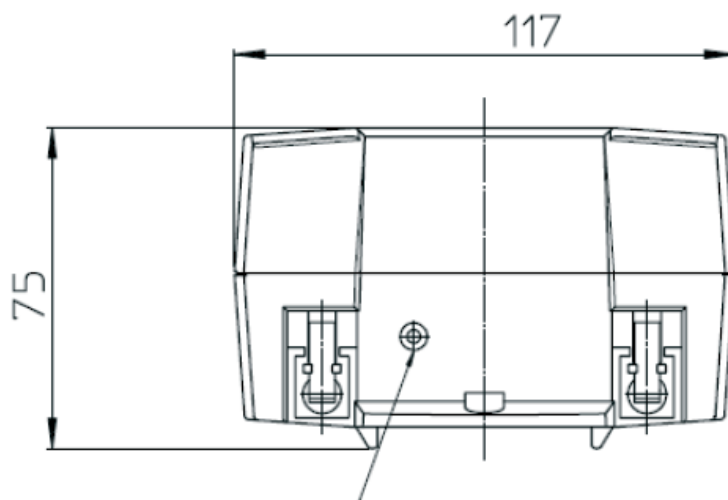
Dimensions:

BAJ without integrated DC plug



Drawing no: BAJ001C

BAJ with integrated DC plug



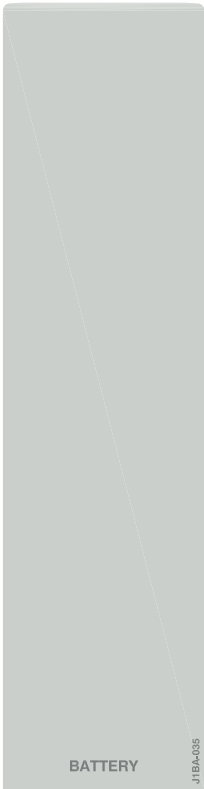
DC socket for external charger CH01

Drawing no: BAJ002B

BAJ Standard front covers



00J1BA001



00J1BA035

---

**Terms of use**

The user is responsible for determining the suitability of LINAK products for specific application. LINAK takes great care in providing accurate and up-to-date information on its products.  
However, due to continuous development in order to improve its products, LINAK products are subject to frequent modifications and changes without prior notice. Therefore, LINAK cannot guarantee the correct and actual status of said information on its products.  
While LINAK uses its best efforts to fulfill orders, LINAK cannot, for the same reasons as mentioned above, guarantee the availability of any particular product. Therefore, LINAK reserves the right to discontinue the sale of any product displayed on its website or listed in its catalogues or other written material drawn up by LINAK.  
All sales are subject to the Standard Terms of Sale and Delivery for LINAK. For a copy hereof, please contact LINAK.