



# Battery Li-Ion BA21

## Data sheet

# BA21 Li-Ion

---

The BA21 Li-Ion back-up battery pack has been specially developed for use with the new control boxes COxx and CAxx, e.g. CO61 and CA40, etc. It is a low weight battery with built-in charger and high performance and safety.

BA21 Li-Ion is based on Nickel Manganese Cobalt Oxide (NMC) which is an environmentally friendly chemistry without heavy metals.

Further advantages by use of the BA21 Li-Ion are

- Extended lifetime.
- Easy to remove and attach the battery with snap system and LINAK mounting bracket on application or under control box.
- The battery provides charging status information to the control box. This makes it possible to receive an indication on the control box and/or on the hand control.



---

## Features & Options:

- Lithium Ion technology: Nickel Manganese Cobalt Oxide (NMC)
- Output voltage: 25.9 V DC
- Max. discharge current: 10 A
- Charging Current: 300 mA/controlled by BA21
- Battery capacity: 2.1 Ah/54.39 Wh
- Weight: 0.7 kg
- Housing colour: Light grey (RAL 7035)
- Protection class: IPX6 Washable DURA™
- Packaging: Every battery is packed individually and is fitted with lithium caution (transportation requirement)
- Classification: Internally powered

## Usage:

- Compatibility: Battery back-up for CO and CA control boxes
- Duty cycle: 10%, 2 minutes continuous use followed by 18 minutes
- Charging: With integrated charger in battery
- Charging time: Approx. 10 hours
- Recharging during storage: First recharge of the battery must be no later than 12 months after production date stated on the label. Hereafter the battery must be recharged at least every 12 months.
- Operating temperature: +5 °C to +40 °C
- Storage temperature: -10 °C to +40 °C (+10 °C to +25 °C recommended) The batteries must be stored in an applicable storage room without direct sunlight
- Relative humidity: 20% to 80% - non-condensing
- Atmospheric pressure: 700 to 1060 hPa
- Height above sea level: Max. 3000 meters
- Approvals: IEC60601-1, ANSI/AAMI ES60601-1, CAN/CSA-22.2 No 60601-1, IEC62133, UL2054, UN38.3 (needed for transport of lithium batteries)

**Green battery solution:**

Compared to lead acid, the lithium ion battery is an environmentally friendly product solution with less CO<sub>2</sub> emission and reduced environmental footprint.

- Extended lifetime means less transport of batteries (fewer batteries)
- Extended lifetime means less waste (fewer batteries)
- 50% weight reduction compared to lead acid batteries means transport of less weight

**LED functionality:**



LED	Indication of operation
Solid yellow	Charging
No LED light	Fully charged
Flashing yellow	Error during charging

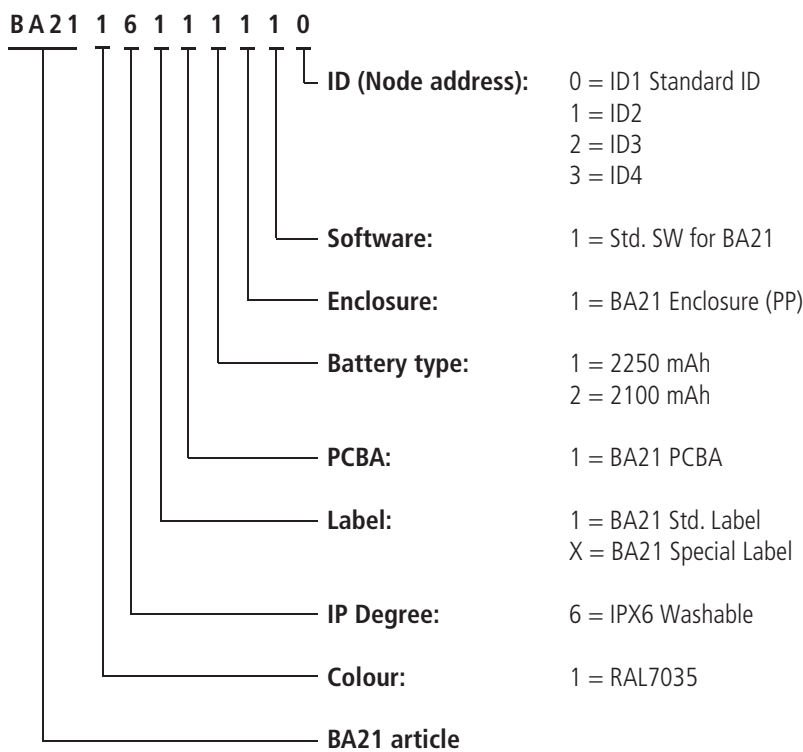
**Buzzer functionality:**

The buzzer will make a warning when a button on the hand control is pressed and the battery capacity is low.

The buzzer can also be activated by the control box to signal other conditions. This must be specified in the control box software.

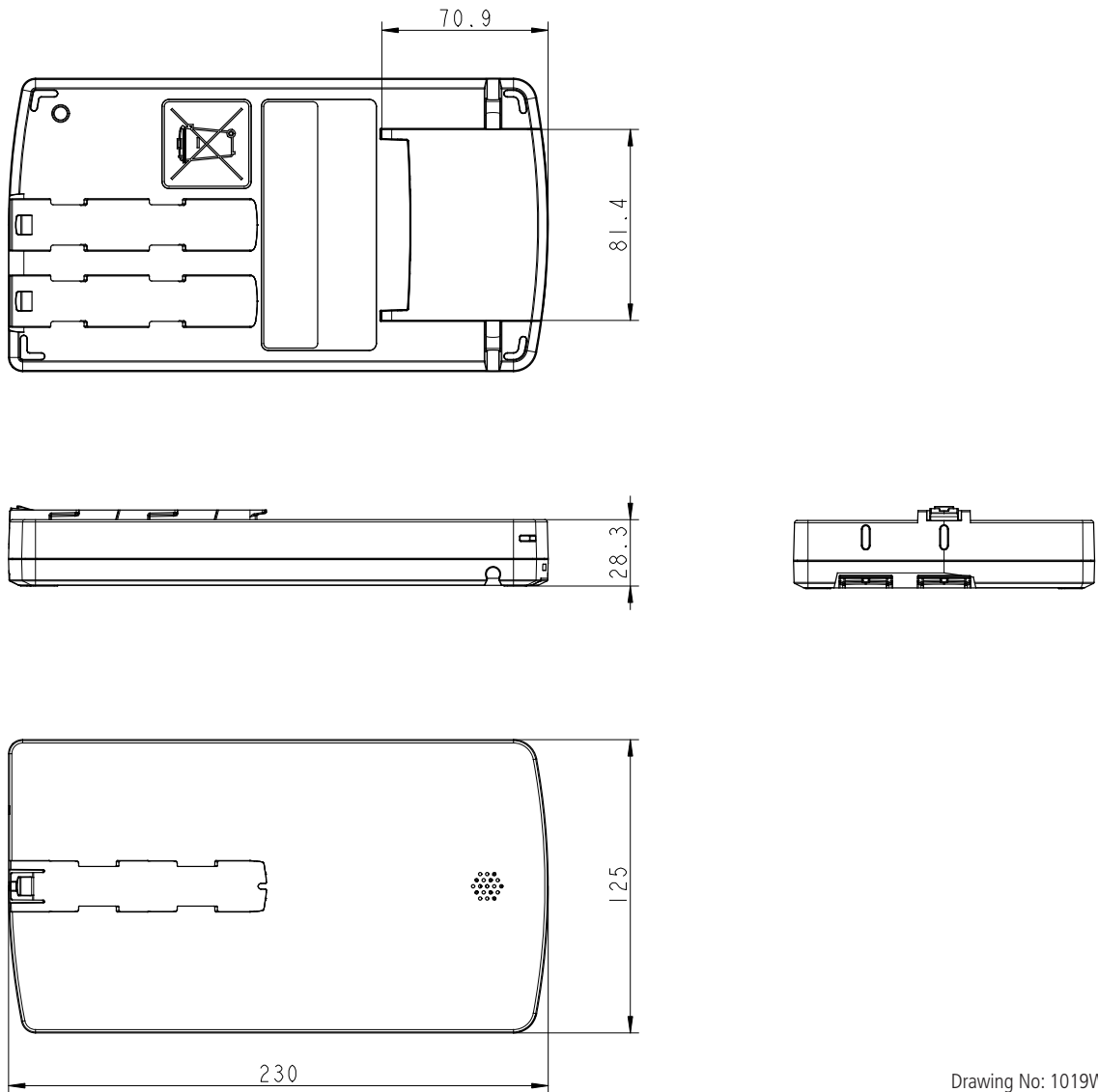
**BA21**

**Ordering example:**

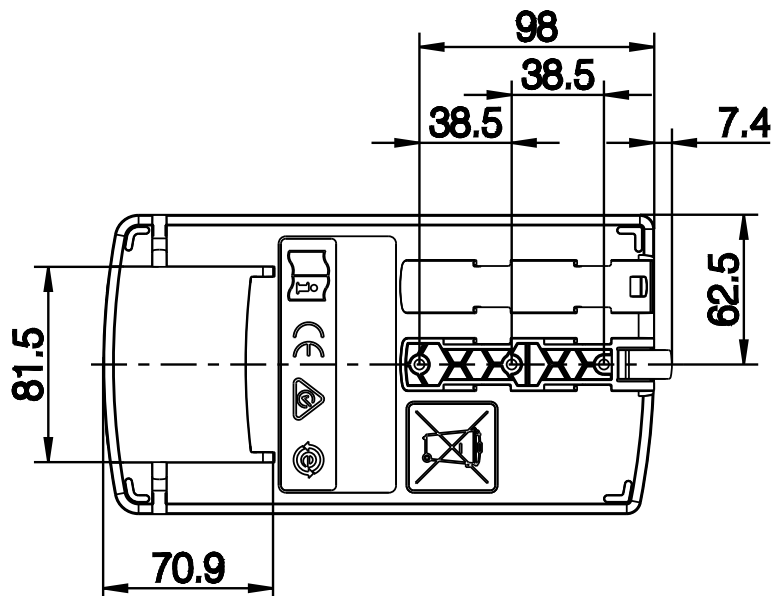


Dimension drawing

BA21



Drawing No: 1019W4001



Drawing No: 1019W4002

**BA21 mounting possibilities:**

**BA21 with CO61**



**BA21 with CO61 on bed frame**

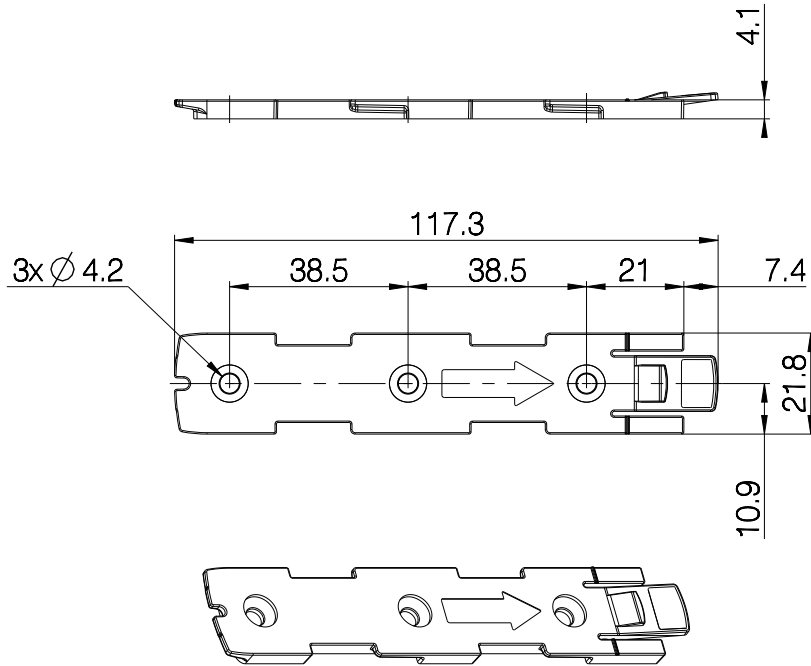


**BA21 with CO61 side-by-side on bed frame**



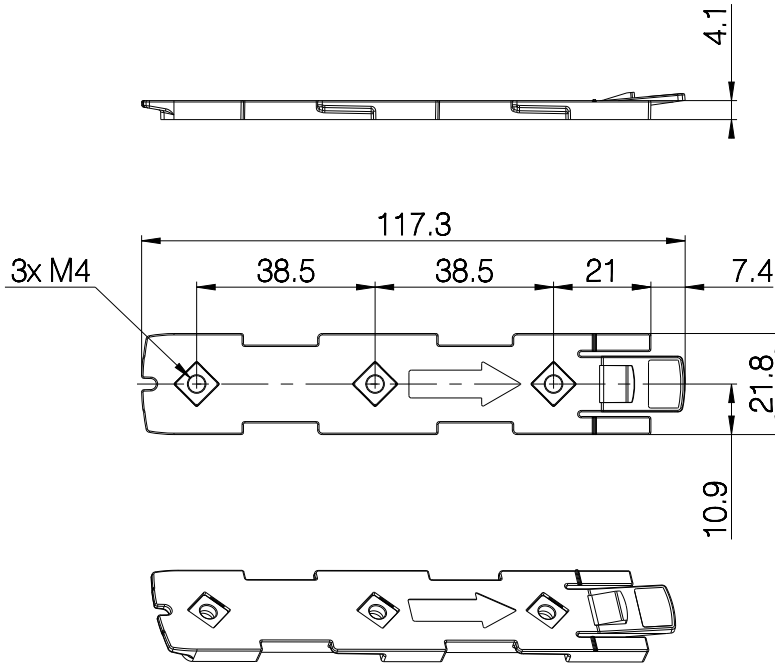
**Mounting brackets:**

Mounting bracket (frame flat) - article No. 1015W1001:



Drawing No.: 1015W4001

Mounting bracket (frame flat) w/M4 nuts - article No. 1015W9009:



Drawing No.: 1015W4009

LINAK® will remedy defective Li-Ion batteries built into LINAK products in accordance with the terms stipulated in the LINAK Li-Ion battery disclaimer available on the LINAK website. LINAK explicitly disclaims all other remedies and liability.

LINAK® accepts no responsibility for possible errors or inaccuracies in catalogues, brochures, and other material. LINAK reserves the right to change its products without prior notice. LINAK cannot guarantee product availability and reserves the right to discontinue the sale of any product. The user is responsible for determining the suitability of LINAK products for a specific application. All sales are subject to the 'Standard Terms of Sale and Delivery', available on LINAK websites.

LINAK and the LINAK logotype are registered trademarks of LINAK A/S. All rights reserved.