



Battery BA19 Lead Acid Data sheet

BA19 Lead Acid

The BA19 lead acid backup battery has been developed specifically for use with the CA/CO control box platform. It is a compact and cost-efficient battery with built-in charger and cable management.

A further advantage of the BA19 lead acid battery is the functional attachment of the battery by means of the LINAK mounting bracket and a securing screw on the application.

The battery provides charging status information to the control box which makes it possible to receive an indication on OpenBus™ system hand controls.



Features and options:

- Lead acid technology: Lead acid
- Output voltage: 24 V DC
- Max. discharge current: 6 A
- Charging current: 300 mA, controlled by BA19 internal charger
- Capacity: 1.2 Ah/28.8 Wh
- Weight: 1.6 kg
- Housing colour: Light grey (RAL 7035)
- Protection class: IPX6, IPX6 Washable DURA™
- Packaging: Multibox
- PCP version: PCP 2.0

Usage:

- Compatibility: Battery backup for CA/CO control box platform
- Duty cycle: 10%, 2 minutes continuous use followed by 18 minutes not in use
- Charging: Via integrated charger
- Charging time: Approx. 6 hours
- Recharging during storage: Battery recharging no later than 6 months after production date stated on the label
- Operating temperature: +5 °C to +40 °C
- Storage temperature: -5 °C to +40 °C
The batteries must be stored in an applicable storage room to avoid direct sunlight
- Relative humidity: 20% to 80% - non-condensing
- Atmospheric pressure: 700 to 1060 hPa
- Height above sea level: Max. 3000 meters
- Service: Battery cells cannot be replaced as the battery cover cannot be closed properly afterwards
- Approvals (pending): IEC60601-1:2005 3rd edition,
ANSI/AAMI ES60601-1: 2005, 3rd edition
CAN/CSA-22.2 No. 60601-1:2008

LED functionality:



LED	Indication of operation
Solid yellow	Charging (battery not ready)
No LED light	Fully charged (battery ready)
Flashing yellow	Error during charging

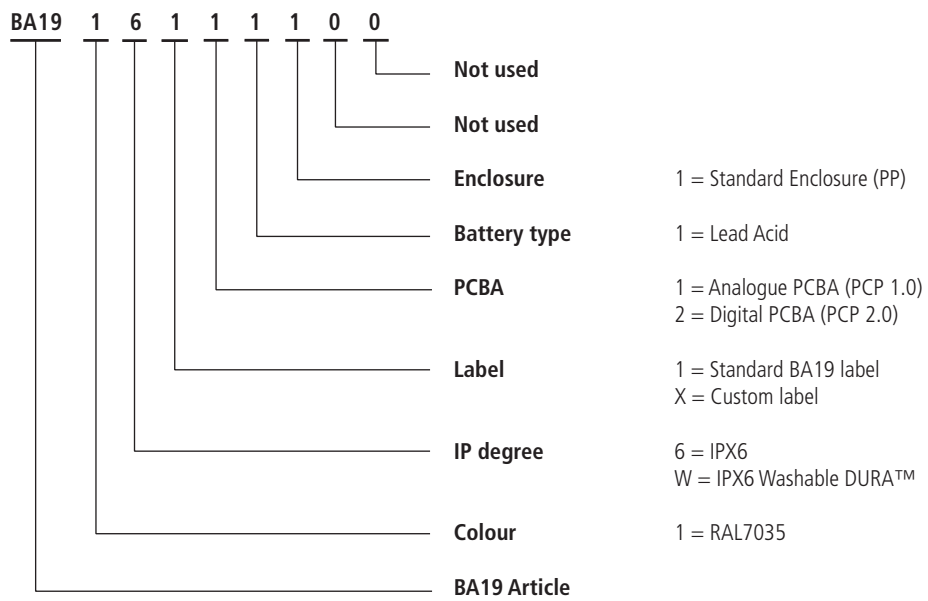
Buzzer functionality:

The buzzer will make a warning when a button on the hand control is pressed and the battery capacity is low.

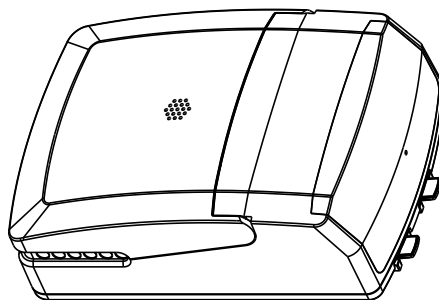
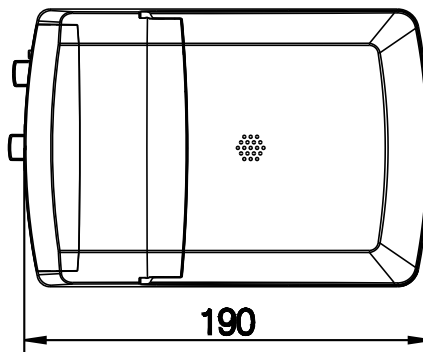
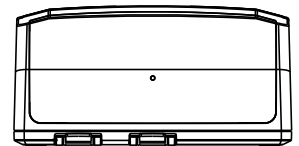
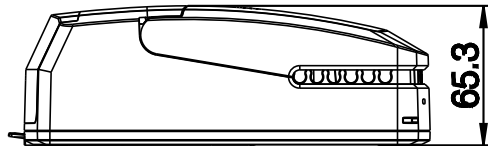
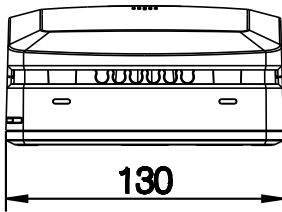
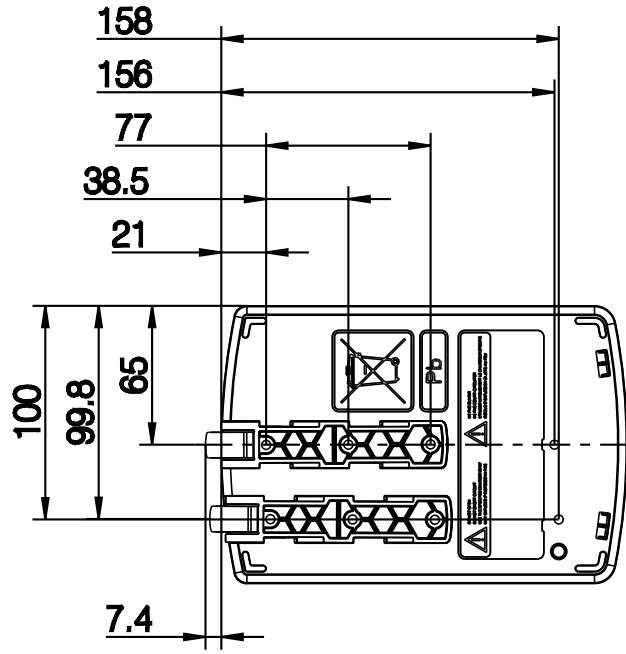
The buzzer can also be activated by an intelligent control box to signal other conditions. This must be specified in the control box software.

BA19

Ordering example:



Dimensions:



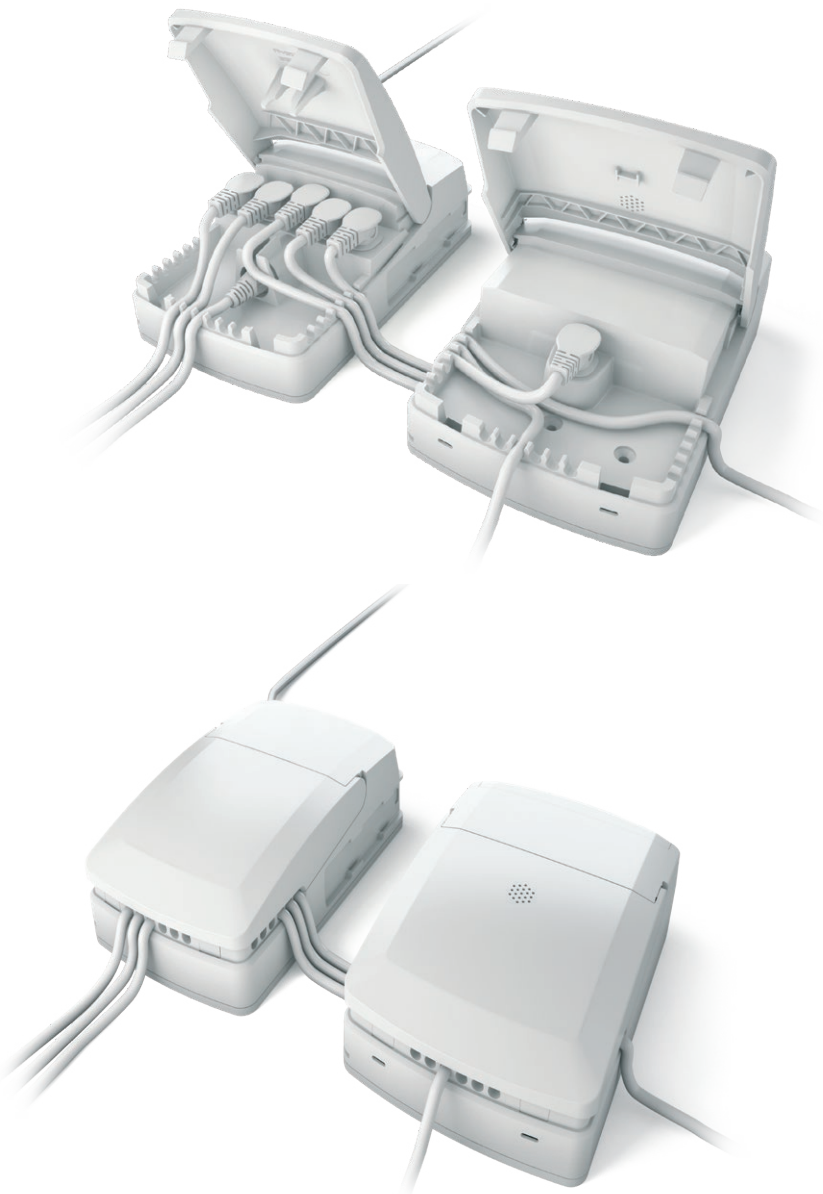
Drawing no. 1020w4001

BA19 mounting possibilities:

Battery mounted on plate
with control box



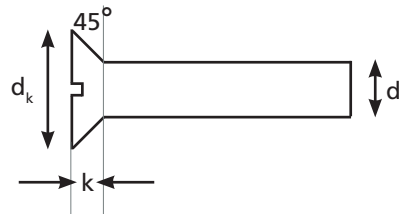
Cable management



Mounting instructions:



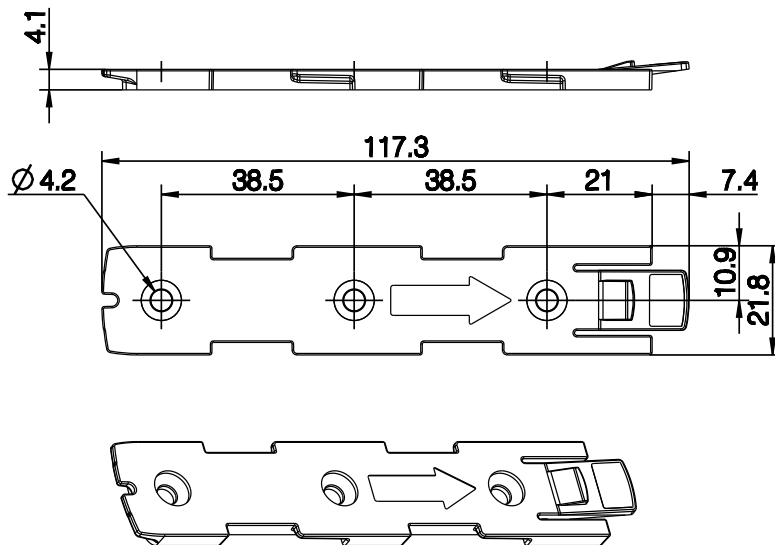
BA19 must be mounted with attachment screw and mounting bracket (see below) due to the battery weight.
Screw M4 countersunk
torque 1.1Nm +/- 0.1Nm.



d	M4
d _k	8.4
k	2.7

According to ISO 2009

Mounting bracket (frame flat) - article no. 1015W1001:



Terms of use

The user is responsible for determining the suitability of LINAK products for specific application. LINAK takes great care in providing accurate and up-to-date information on its products.
However, due to continuous development in order to improve its products, LINAK products are subject to frequent modifications and changes without prior notice. Therefore, LINAK cannot guarantee the correct and actual status of said information on its products.
While LINAK uses its best efforts to fulfill orders, LINAK cannot, for the same reasons as mentioned above, guarantee the availability of any particular product. Therefore, LINAK reserves the right to discontinue the sale of any product displayed on its website or listed in its catalogues or other written material drawn up by LINAK.
All sales are subject to the Standard Terms of Sale and Delivery for LINAK. For a copy hereof, please contact LINAK.