



Battery BA18

Data sheet

BA18

The BA18 is a cost-effective lead acid battery without integrated charger that can be used in combination with CO53 and with the long-established control box range, of which many are now legacy products.

Easy replacement of the battery due to plug connection towards the control box.

The battery is equipped with a venting membrane placed on the back side of the battery. The membrane permits battery gasses to escape but does not permit penetration of water.



Features and options:

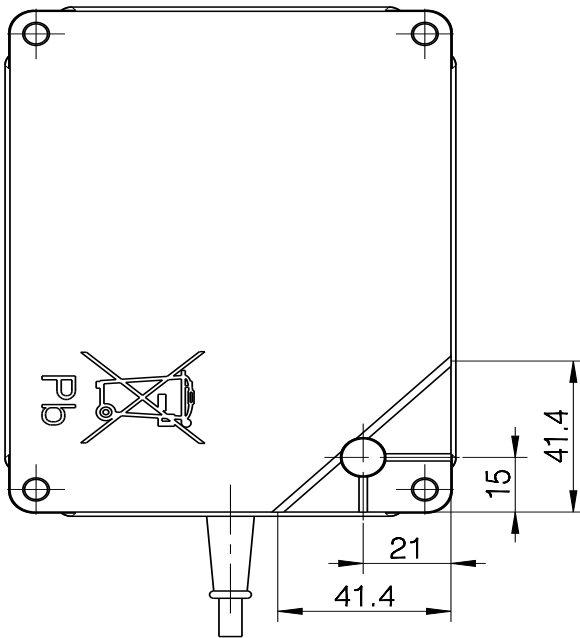
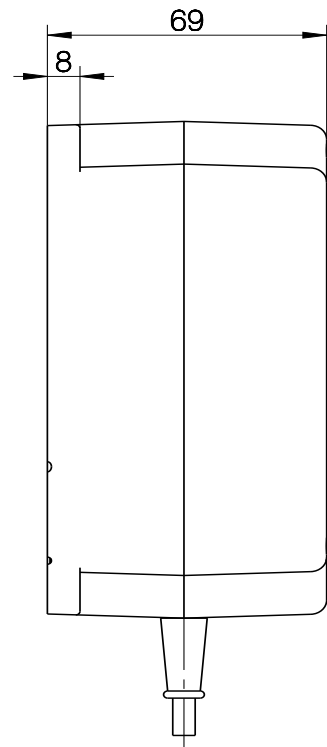
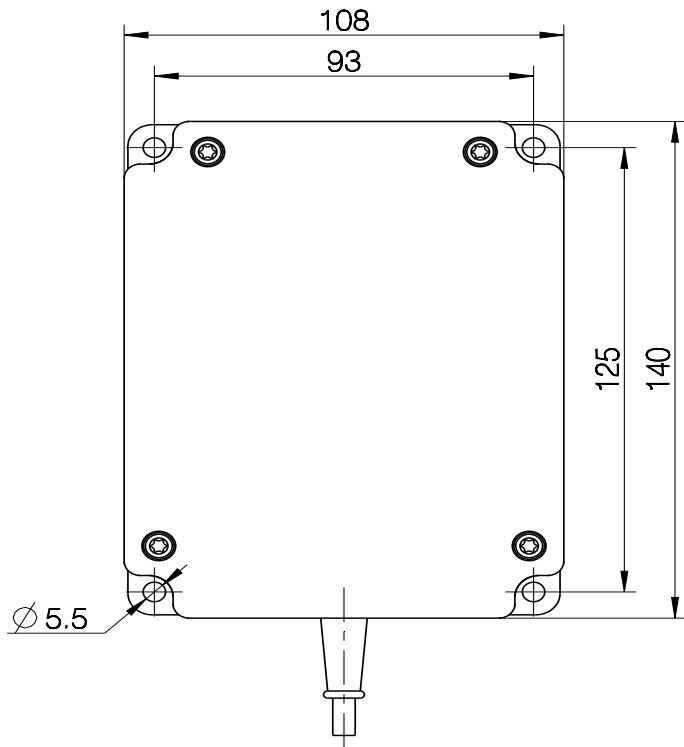
Fixed straight cable in variable lengths with DC plug 5.5X2.5.
(Max. length = 1.3 m)

- Capacity: 1.3 Ah 24V
- Weight: 1250 g
- Charging current: max. 500 mA
- Protection class: IPX6, IPX5 or IPX1
- Colour: Light grey (RAL 7035) or black (RAL 9005)

Usage:

- Compatibility: CO53, CB6P2
Legacy products : CB6, CB7, CB9, CB12, CB14, CB18, CB6S
NOTE: (only specific versions may be compatible)
- Ambient temperature: +5°C to +40°C
- Charging: Via LINAK control box with integrated charging circuit
- Charging time: Approx. 6 hours depending on built-in control box charger
- Recharging during storage: Battery recharging no later than 6 months after production date stated on the label
- Operating temperature: +5 °C to +40 °C
- Storage temperature: -10 °C to +50 °C
- Relative humidity: 20% to 80% non-condensing
- Atmospheric pressure: 700 to 1060 hPa
- Meters above sea level: Max. 3000 meters
- Approvals: IEC60601-1
ANSI/AAMI ES60601-1
CAN/CSA-22.2 No. 60601-1

Dimensions:

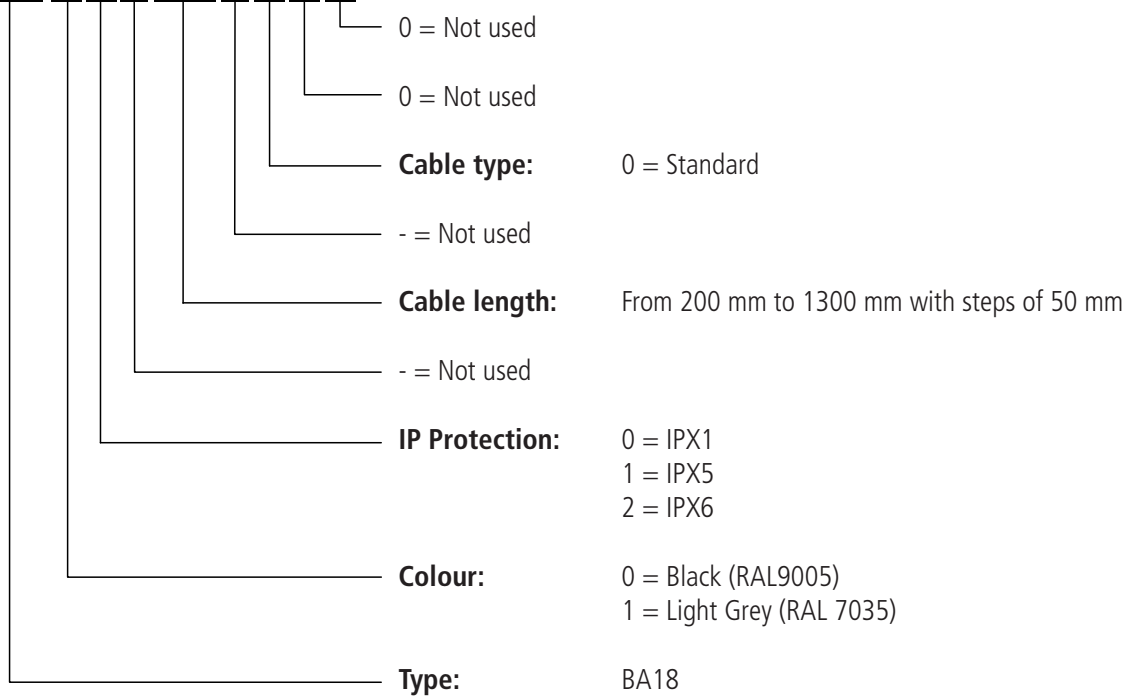


Drawing no.: BA18002D

BA18

Ordering example:

BA18 0 0 - 0200 - 0 0 0



Terms of use

The user is responsible for determining the suitability of LINAK products for specific application. LINAK takes great care in providing accurate and up-to-date information on its products. However, due to continuous development in order to improve its products, LINAK products are subject to frequent modifications and changes without prior notice. Therefore, LINAK cannot guarantee the correct and actual status of said information on its products. While LINAK uses its best efforts to fulfil orders, LINAK cannot, for the same reasons as mentioned above, guarantee the availability of any particular product. Therefore, LINAK reserves the right to discontinue the sale of any product displayed on its website or listed in its catalogues or other written material drawn up by LINAK. All sales are subject to the Standard Terms of Sale and Delivery for LINAK. For a copy hereof, please contact LINAK.