



Battery BA18

Data sheet

BA18



Features:

- Straight cable with DC plug 5.5 x 2.5 (Max. length = 1.3 m)
- Standard protection class: IPX1
- The BA18 is exchangeable without opening the CB (BA18 is a separate box)
- Rated Capacity is 1.3 Ah 24 V
- Charging current is max. 500 mA

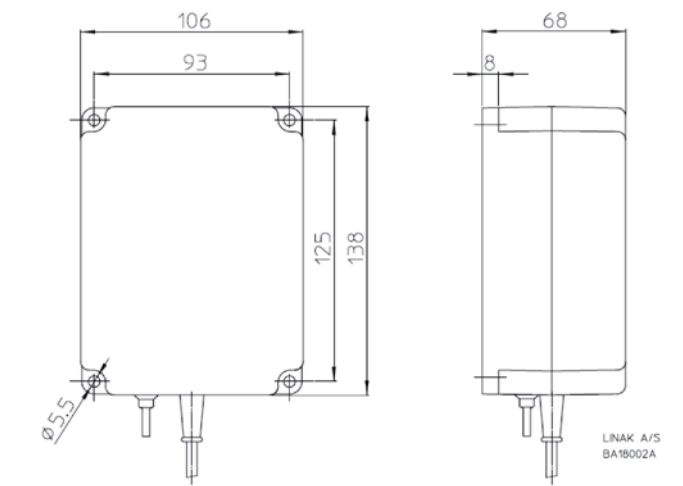
Options:

- Protection class: IPX1, IPX5 or IPX6
- Colour: black or grey

Usage:

- Compatible with CB6, CB6S, CB7, CB9, CB12 / CB14 BT versions
- Ambient temperature: +5°C to +40°C

Dimensions:

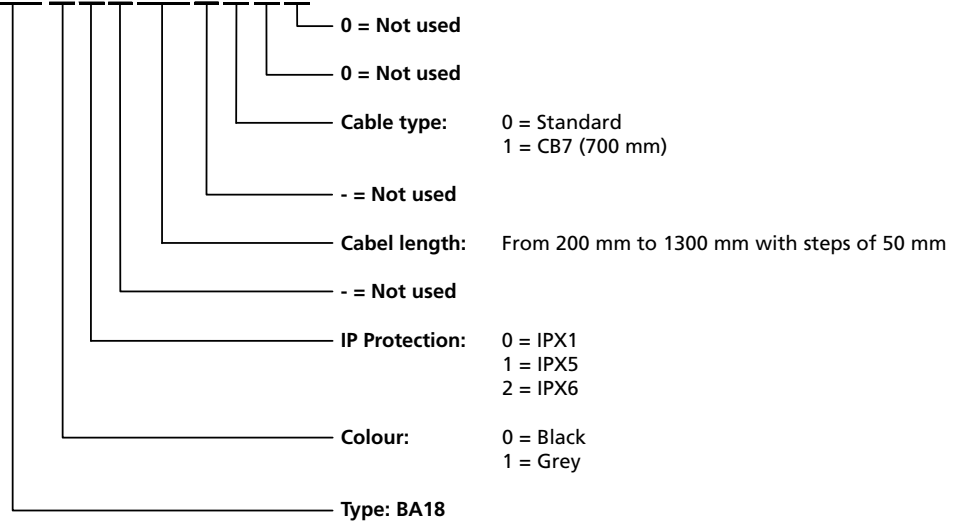


Weight: 1.25 KG

BA18

Ordering example:

BA18 0 0 - 0200 - 0 0 0



The battery box BA18 itself cannot be combined with an external charger (e.g. CH01)

Terms of use

The user is responsible for determining the suitability of LINAK products for specific application. LINAK takes great care in providing accurate and up-to-date information on its products.

However, due to continuous development in order to improve its products, LINAK products are subject to frequent modifications and changes without prior notice. Therefore, LINAK cannot guarantee the correct and actual status of said information on its products.

While LINAK uses its best efforts to fulfil orders, LINAK cannot, for the same reasons as mentioned above, guarantee the availability of any particular product. Therefore, LINAK reserves the right to discontinue the sale of any product displayed on its website or listed in its catalogues or other written material drawn up by LINAK. All sales are subject to the Standard Terms of Sale and Delivery for LINAK. For a copy hereof, please contact LINAK.