



## Battery BA16 Lead Acid Data sheet

# BA16 Lead Acid

---

The battery box BA16 is developed for use together with the LINAK CA and CO control box series to support power backup.

The BA16 has an intelligent LED indicator that indicates the battery status.

The control box can monitor the battery capacity real-time and can control the built-in low voltage buzzer.



---

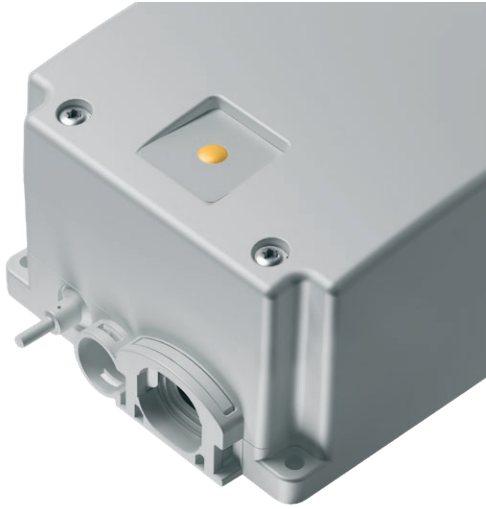
## Features and options:

- Lead acid technology: Lead acid
- Output voltage: 24 V DC
- Max. discharge current: 5 A
- Charging current: 300 mA, controlled by BA16 internal charger
- Standby power consumption: <25 uA/<0.8 mW
- Capacity: 1.3 Ah/24 V
- Weight: 1545 g
- Material: ABS plastic
- Housing colour: Light grey (RAL 7035)
- Protection class: IPX6
- Packaging: Multibox
- PCP version: PCP 2.0

## Usage:

- Compatibility: Battery back-up for COxx and CAxx
- Duty cycle: 10%, 2 minutes continuous use followed by 18 minutes not in use
- Charging: Via integrated charger
- Charging time: Approx. 6 hours
- Recharging during storage: Battery recharging no later than 6 months after production date stated on the label
- Operating temperature: +5 °C to +40 °C
- Storage temperature: -10 °C to +50 °C  
The batteries must be stored in an applicable storage room to avoid direct sunlight
- Relative humidity: 20% to 80% - non-condensing
- Atmospheric pressure: 700 to 1060 hPa
- Height above sea level: Max. 3000 meters
- Service: Battery replacement
- Approvals (pending): IEC60601-1  
ANSI/AAMI ES60601-1  
CAN/CSA-22.2 No. 60601-1  
UL tested in accordance with  
UL60601-1 (pending)

**LED functionality:**



LED	Indication of operation
Solid yellow	Charging (battery not ready)
No LED light	Fully charged (battery ready)
Flashing yellow	Error during charging

**Buzzer functionality:**

The buzzer will make a warning when a button on the hand control is pressed and the battery capacity is low.

The buzzer can also be activated by an intelligent control box to signal other conditions. This must be specified in the control box software.

# BA16

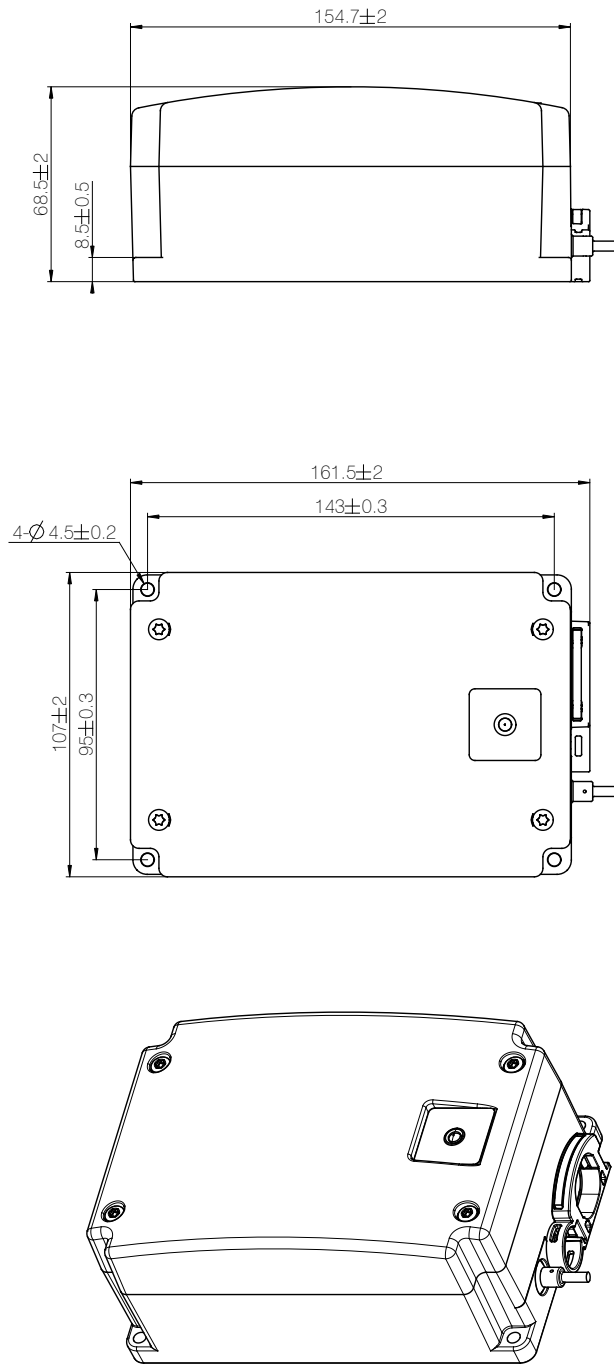
Ordering example:

Battery Type	BA16	BA16 = Battery Type
+ Colour	1	1 = Grey RAL7035
IP Degree	6	6 = IPX6
+ Label	1	1 = Standard BA16 label      x = Custom label
+ PCBA	2	2 = Digital PCBA (PCP 2.0)
+ Battery Type	1	1 = Lead Acid
Enclosure	1	1 = Standard Enclosure
Not Used	0	
Not Used	0	

Chosen item number:

BA1616121100

**Dimensions:**



Drawing no. 1049w4001

**Terms of use**

The user is responsible for determining the suitability of LINAK products for specific application. LINAK takes great care in providing accurate and up-to-date information on its products. However, due to continuous development in order to improve its products, LINAK products are subject to frequent modifications and changes without prior notice. Therefore, LINAK cannot guarantee the correct and actual status of said information on its products. While LINAK uses its best efforts to fulfill orders, LINAK cannot, for the same reasons as mentioned above, guarantee the availability of any particular product. Therefore, LINAK reserves the right to discontinue the sale of any product displayed on its website or listed in its catalogues or other written material drawn up by LINAK. All sales are subject to the Standard Terms of Sale and Delivery for LINAK. For a copy hereof, please contact LINAK.