



Battery Box BA002

Data sheet

Battery Box BA002

With the new Battery Box BA002, LINA[®] has developed a reliable and compact battery solution for HOMELINE[®] systems based on PLC (Power Line Communication).

A battery is the perfect solution for applications in which an aesthetically pleasing appearance is disturbed by a mains cable.

The BA002 is a high-performance lithium-ion battery with a capacity of 1.4 Ah. An audio alarm in three stages indicates low battery. The BA002 is a very compact unit that optionally comes with a mounting bracket for easy mounting of the battery.



Features:

- Compact unit for easy handling and installation
- BA002 featuring high quality, rechargeable Li-ion battery cells
- Audio alarm when charging is needed
- Thermal switch protection, over-current protection
- Colour: black
- Battery capacity: 1.4 Ah / 40 Wh
- Nominal voltage: 24 V
- Discharge current: 6 A (max)
- Maximum charging voltage: 32 V DC
- Charging current: 1.3 A
- Weight: 550 g

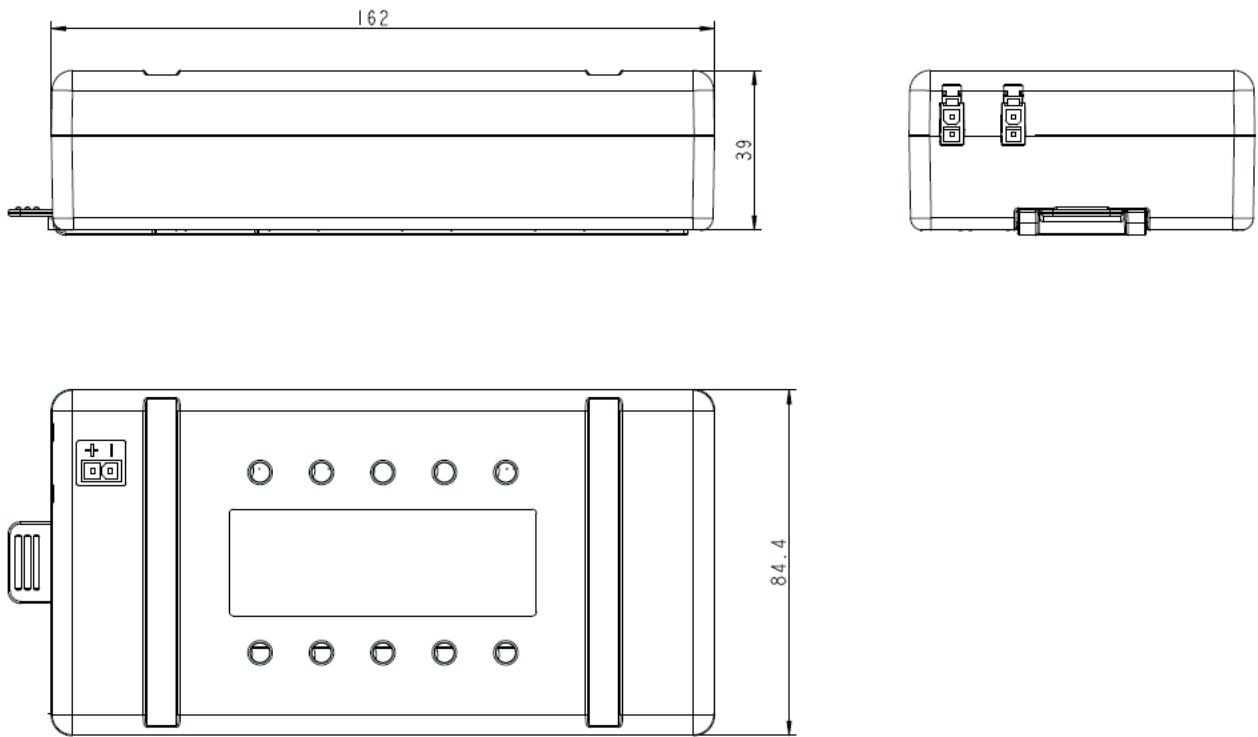
Options:

- Mounting bracket for easy mounting/demounting

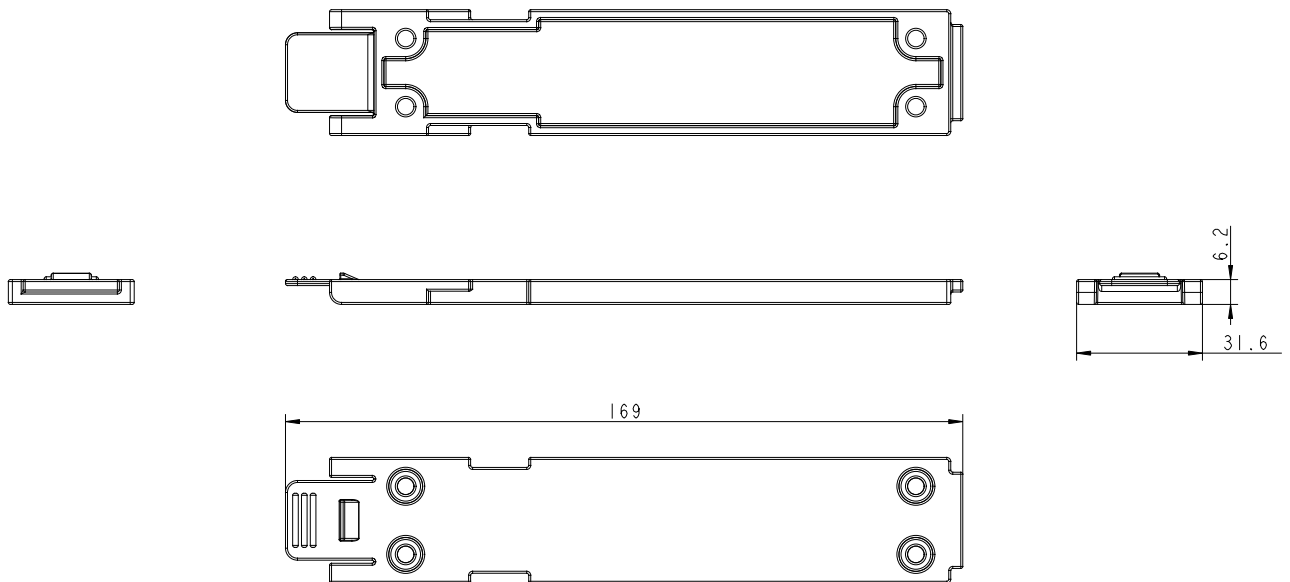
Usage:

- Ambient temperature: 5 to 40 °C
- Storage temperature: 0 to 45 °C
- Compatible with HOMELINE[®] systems using PLC (Power Line Communication)
- Approved in accordance with:
 - EN 62133 (Battery safety testing)
 - UL 1642 (Lithium cells, standard test)
 - UN 38.3 (transportation of Lithium batteries)

BA002 dimensions:



Battery mounting bracket:



How to order the BA002:

Name	Item number	Description
Battery box	BA002	Standard version
Bracket for BA002	BA002_bracket	Mounting bracket for easy mounting/demounting of BA002

LINAK® accepts no responsibility for possible errors or inaccuracies in catalogues, brochures, and other material. LINAK reserves the right to change its products without prior notice. LINAK cannot guarantee product availability and reserves the right to discontinue the sale of any product. The user is responsible for determining the suitability of LINAK products for a specific application. All sales are subject to the 'Standard Terms of Sale and Delivery', available on LINAK websites.

LINAK and the LINAK logotype are registered trademarks of LINAK A/S. All rights reserved.