



BA001  
Data sheet

# BA001

---

LINAK has developed a battery box called BA001 that works with various DESKLINE® and HOMELINE® systems. A battery box is very useful in mobile applications such as mobile carts or applications where a mains cable would be in the way, like recliners.

The BA001 is a high-performance lithium-Ion battery with a capacity of 2.2 Ah. The battery box features LED light bars indicating capacity level and audio alarm when it needs to be charged. The BA001 is a very compact unit that standard comes with a mounting bracket for easy exchange of the battery.



---

## Features:

- Compact unit for easy handling and installation
- BA001 featuring high quality SONY battery cells
- Battery alarm (audio) when charging is needed
- Battery charging indicator (LED light bars) indicating the capacity level
- Thermal switch protection, overcurrent protection
- Colour: black
- Battery capacity: 2.2 Ah / 53 Wh
- Nominal voltage: 24V
- Discharge current: 9A (max)
- Maximum charging voltage: 40V DC
- Charging current: 0.5A
- Weight: 600 g
- Mounting bracket for easy mounting/demounting when charging is needed

## Usage:

- Ambient temperature: +5°C to +40°C
- Storage temperature: 0° C to +45°C
- Compatible with DESKLINE systems based on CBD6S (sw version 1.37 or later) and HOMELINE CBH Advanced systems
- Approved according to:
  - EN 62133 (Battery safety testing)
  - UL 1642 (Lithium cells, standard test)
  - UN 38.3 (transportation of Lithium batteries)
  - UL 2054 (Household and commercial batteries)
  - EN 60335-1 with CBH Advanced

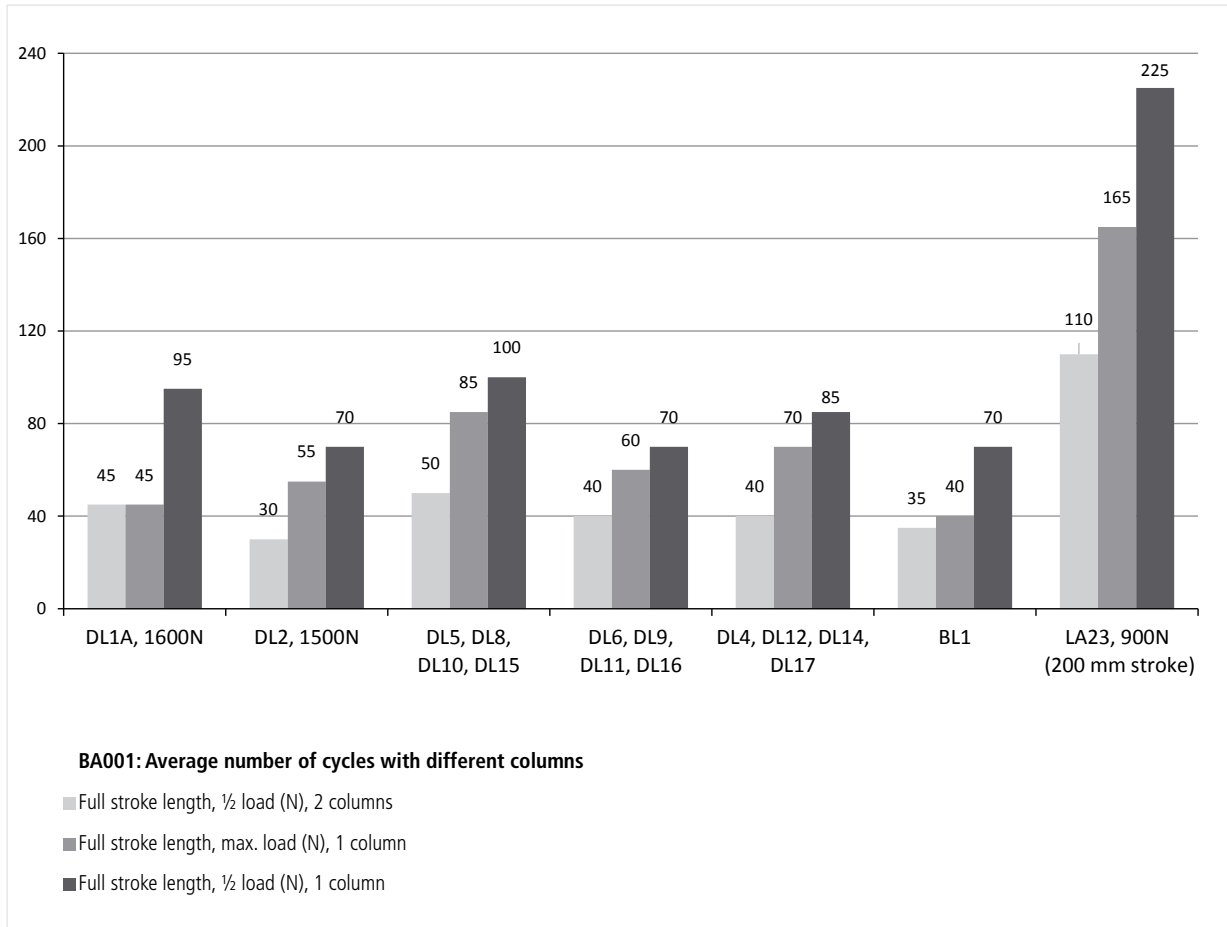
**How to order the BA001:**

Combination code: BA001 (includes the mounting bracket)

If express shipment from LAS is required, use combination code: BA001-MAX30%CHARGED.

Both ordering numbers include the mounting bracket.

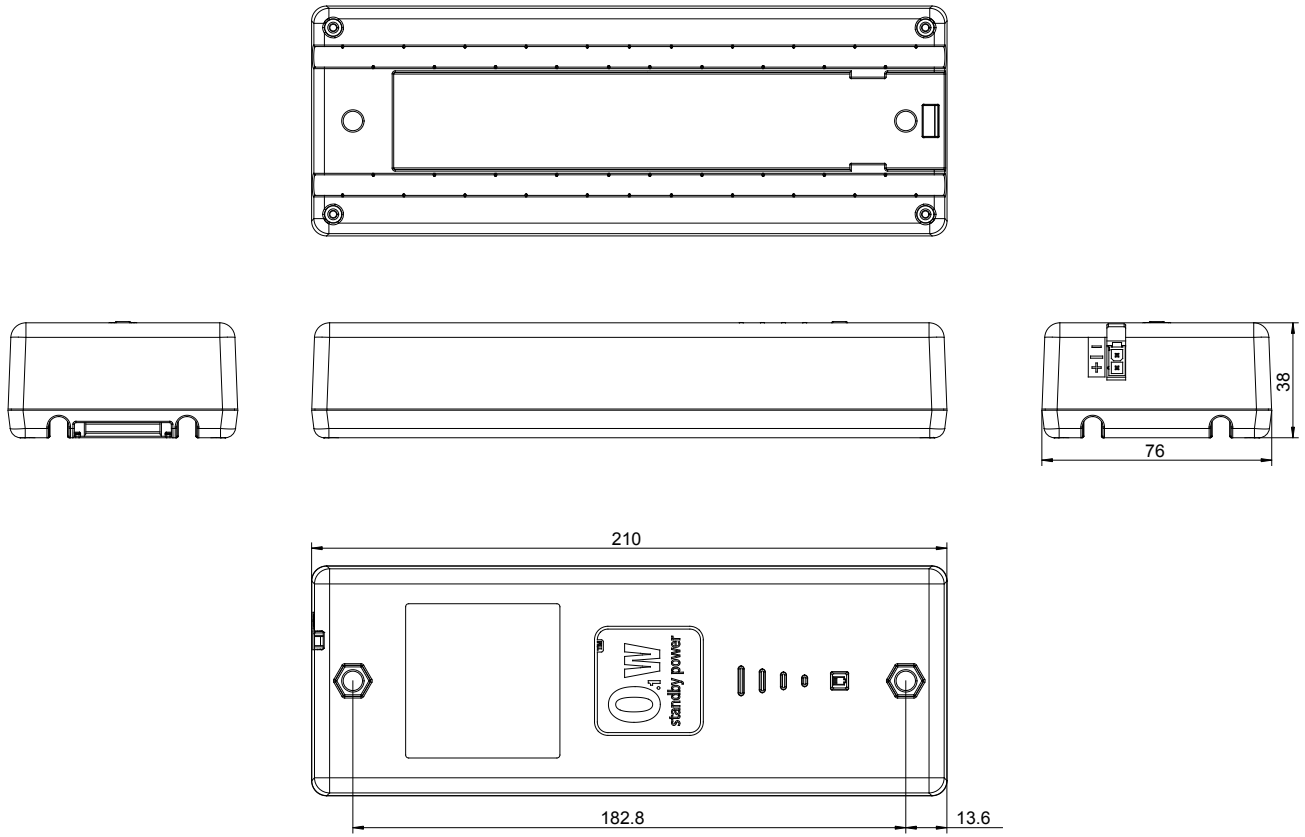
**Battery capacity:**



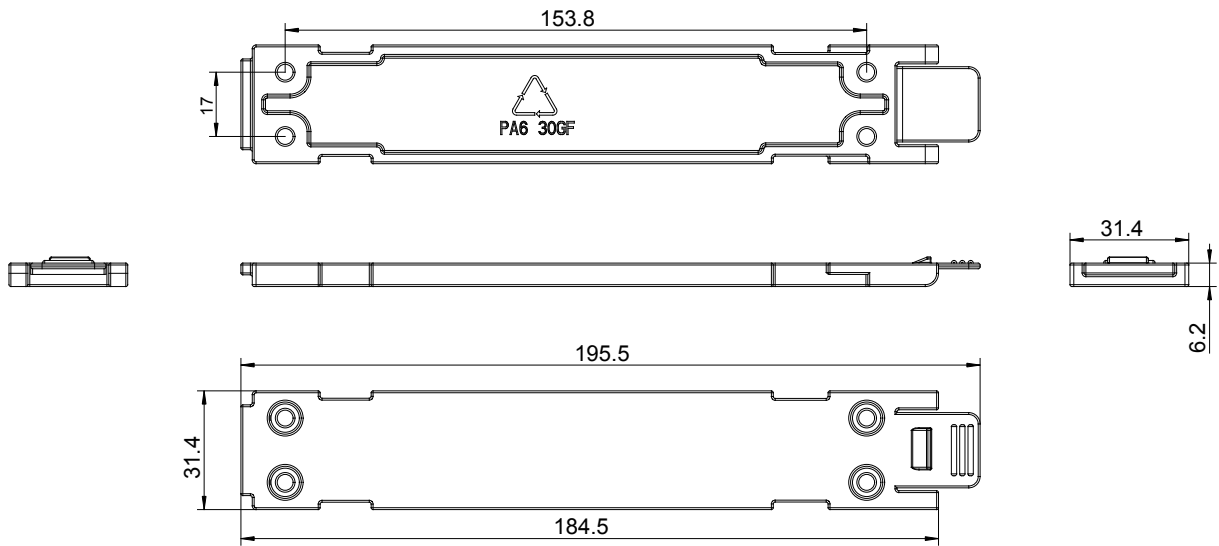
Above measurements are to be considered as average values. The measurements are made with CBD6S 300W control box under following conditions:

- New, fully charged battery
- Temperature: approx. 20° C
- Only centrally placed load (no bending moment)
- Standard duty cycle
- All referenced loads are nominal max. loads for the columns

**BA001 dimensions:**



**Battery mounting bracket:**



---

**Terms of use**

The user is responsible for determining the suitability of LINAK products for specific application. LINAK takes great care in providing accurate and up-to-date information on its products. However, due to continuous development in order to improve its products, LINAK products are subject to frequent modifications and changes without prior notice. Therefore, LINAK cannot guarantee the correct and actual status of said information on its products. While LINAK uses its best efforts to fulfill orders, LINAK cannot, for the same reasons as mentioned above, guarantee the availability of any particular product. Therefore, LINAK reserves the right to discontinue the sale of any product displayed on its website or listed in its catalogues or other written material drawn up by LINAK. All sales are subject to the Standard Terms of Sale and Delivery for LINAK. For a copy hereof, please contact LINAK.