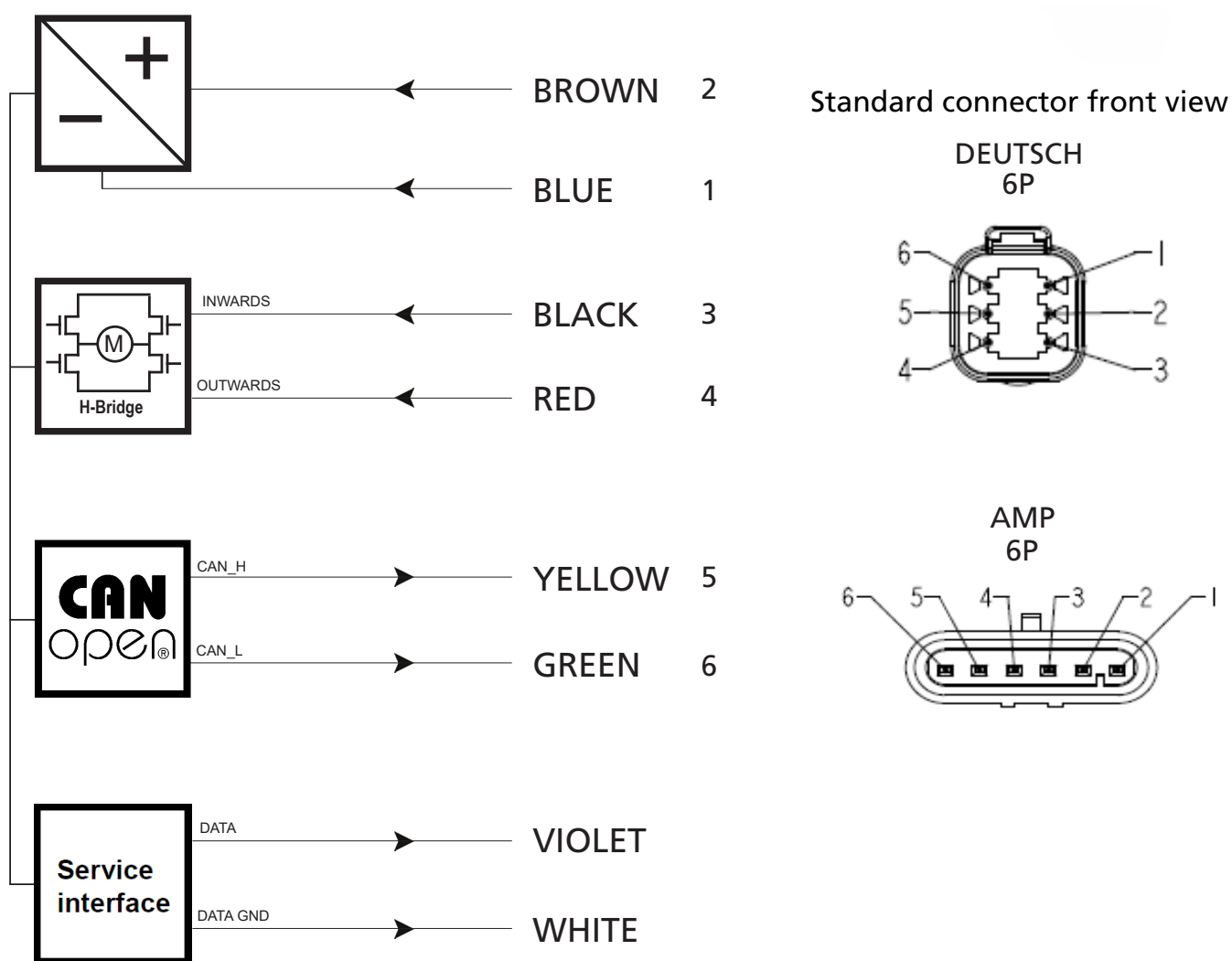




Actuator LA25
CANopen
Connection diagram

Connection diagram



Please be aware that if the power supply is not properly connected, you might damage the actuator!



The BusLink software tool is available for CAN bus actuators and can be used for:


Diagnostics, manual run and configuration

The newest version is available online at LINAK.COM/TECHLINE

Please note: The BusLink configuration cable must be purchased separately

Item number for BusLink cable kit: 0147997 (adapter + USB2Lin)

I/O Specifications

| Input/Output | Specification | Comments |
|--------------|---|---|
| Description | Compatible with the CiA 301 standard. Using CANopen messages to command movement, setting parameters and to deliver feedback from the actuator. Actuator identification is provided, using standard CiA 301 address claim or fixed addresses. |  |
| Brown | 12-24VDC + (VCC) Connect Brown to positive 12V ± 20% - max. 5A depending on load 24V ± 10% - max. 2.5A depending on load 12V, current limit 8A 24V, current limit 5A | <p>Note:</p> <p>Do not change the power supply polarity on the brown and blue wires!</p> <p>Power supply GND (-) is electrically connected to the housing</p> <p>Current limit levels can be adjusted through BusLink</p> <p>If the temperature drops below 0°C, all current limits will automatically increase to 9A for 12V and 6A for 24V.</p> |
| Blue | 12-24VDC - (GND) Connect Blue to negative 12V ± 20% - max. 5A depending on load 24V ± 10% - max. 2.5A depending on load 12V, current limit 8A 24V, current limit 5A | |
| Red | Extends the actuator | <p>On/off voltages:</p> <p>> 67% of V_{IN} = ON</p> <p>< 33% of V_{IN} = OFF</p> |
| Black | Retracts the actuator | |
| Green | CAN_L | <p>CANopen assumes a physical layer according to ISO 11898-2.</p> <p>Speed: Autobaud up to 250 kbps (Prototypes: 125 kbps)</p> <p>Max bus length @ 125 kbps: 500 meters Max bus length @ 250 kbps: 250 meters Max bus length @ 500 kbps: 100 meters Max stub length @ 125 kbps: 22 meters Max stub length @ 250 kbps: 11 meters Max stub length @ 500 kbps: 5,5 meters</p> <p>Max node count: 127</p> <p>Wiring: Unshielded twisted pair</p> <p>Cable impedance: 120 Ω (±10%)</p> |
| Yellow | CAN_H | |
| Violet | Service interface | <p>Only BusLink can be used as service interface.</p> <p>Use green adapter cable</p> |
| White | Service interface GND | |



* CiA 301 refers to Twisted Pair and Shielded cables. The standard/default cables delivered with the CANopen enabled actuator do not comply with this.

Find more information about the CANopen actuators in the CANopen user manual

The newest version is available online at [LINAK.COM/TECHLINE](https://www.linak.com/TECHLINE)

Terms of use

The user is responsible for determining the suitability of LINAK products for specific application. LINAK takes great care in providing accurate and up-to-date information on its products.

However, due to continuous development in order to improve its products, LINAK products are subject to frequent modifications and changes without prior notice. Therefore, LINAK cannot guarantee the correct and actual status of said information on its products.

While LINAK uses its best efforts to fulfill orders, LINAK cannot, for the same reasons as mentioned above, guarantee the availability of any particular product. Therefore, LINAK reserves the right to discontinue the sale of any product displayed on its website or listed in its catalogues or other written material drawn up by LINAK.

All sales are subject to the Standard Terms of Sale and Delivery for LINAK. For a copy hereof, please contact LINAK.